

Ombra is the perfect combination of form and function with its capacitive touch controls and optional hybrid baffle filters. Ombra features a powerful 600 CFM blower with our exclusive Airflow Control Tech-

nology™ (ACT™) to meet local code requirements. Available in sleek black stainless steel and stainless steel.

ACT™

Min. - Max. CFM	INTERNAL BLOWER STANDARD	INTERNAL BLOWER with ACT™ AIRFLOW CONTROL TECHNOLOGY™*	
	200 - 600	200 - 390	200 - 290
Min. - Max. Sones	1 - 6	1 - 4	1 - 3

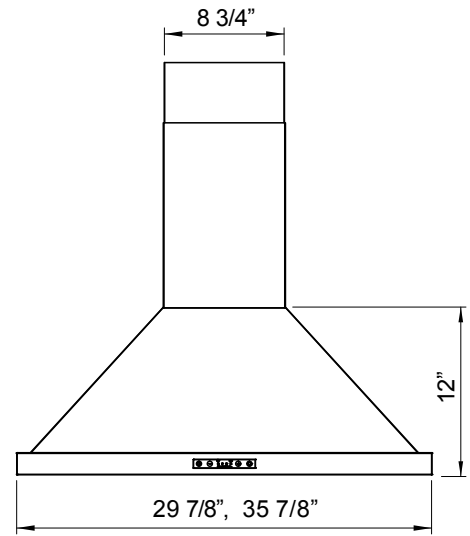
*AIRFLOW CONTROL TECHNOLOGY™ (ACT™) is an exclusive feature built into specific Zephyr hoods which can limit the maximum blower CFM to meet local code requirements.



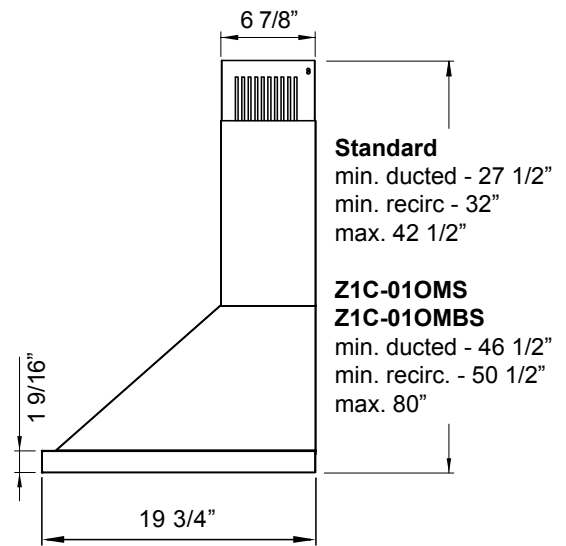
Shown in Black Stainless Steel



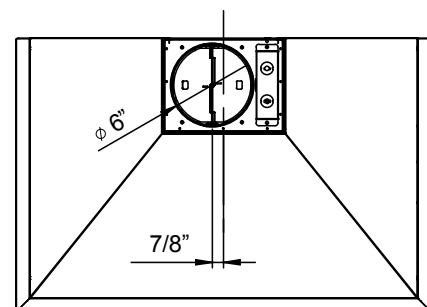
Shown in Stainless Steel



FRONT



SIDE



TOP

MODEL	ZOM-E30AS	ZOM-E36AS
Stainless Steel	ZOM-E30ABS	ZOM-E36ABS
Black Stainless Steel		
Size		
Blower CFM (Min. - Max.)	200 - 600	200 - 600
Sones (Min. - Max.)	1 - 6	1 - 6
ACT 390 CFM (Min. - Max.)	200 - 390	200 - 390
ACT 390 Sones (Min. - Max.)	1 - 4	1 - 4
ACT 290 CFM (Min. - Max.)	200 - 290	200 - 290
ACT 290 Sones (Min. - Max.)	1 - 3	1 - 3
FEATURES		
ACT™ Technology	Yes	Yes
Controls	Capacitive Touch	Capacitive Touch
Speed Levels	4*	4*
Auto Delay-Off	Yes	Yes
Lighting	Halogen, 35W x2	Halogen, 35W x2
Dual-Level Lighting	Yes	Yes
Filters	Aluminum Mesh x2	Aluminum Mesh x2
Recirculating Option	Yes	Yes
Duct Cover Extension Option	Yes, Up to 12' Ceiling	Yes, Up to 12' Ceiling
DUCT SPECIFICATIONS		
Vertical Internal Blower	6" Round	6" Round
Horizontal Internal Blower	NA	NA
AC POWER	120V, 60Hz at Max. 3.5A	120V, 60Hz at Max. 3.5A
OPTIONAL ACCESSORIES		
Recirculating Kit	ZRC-01OM	ZRC-01OM
Duct Cover Extension	Z1C-01OMS (ss) Z1C-01OMBS (black ss)	Z1C-01OMS (ss) Z1C-01OMBS (black ss)
Bloom™ GU10 LED	ZOB0040	ZOB0040
Hybrid Baffle Filter Kit	ZOF-B002	ZOF-B002
Make-Up Air Kit	MUA006A	MUA006A
MOUNTING HEIGHT RANGE**	26" - 34"	26" - 34"
WARRANTY	3 years parts, 1 year labor	3 years parts, 1 year labor

CEILING HEIGHT		8'	8.5'	9'	9.5'	10'	10.5'	11'	12'
STANDARD DUCT COVER	Ducted Mounting Height**	26" - 33.5"	26" - 34"	29.5" - 34"	NA	NA	NA	NA	NA
	Recirc Mounting Height**	26" - 28.5"	26" - 34"	29.5" - 34"	NA	NA	NA	NA	NA
DUCT COVER EXTENSION	Ducted Mounting Height**	NA	NA	26" - 30.5"	26" - 34"	26" - 34"	26" - 34"	26" - 34"	28" - 34"
	Recirc Mounting Height**	NA	NA	26" - 26"	26" - 32"	26" - 34"	26" - 34"	26" - 34"	28" - 34"

*When ACT™ is enabled the maximum speed levels will change. ACT 390 CFM = 3 speeds and ACT 290 CFM = 2 speeds.
 **Mounting height refers to distance between top of a 36" tall cooking surface and bottom of hood.

ACT™ AIRFLOW CONTROL TECHNOLOGY™ (ACT™) is an exclusive feature built into specific Zephyr hoods which can limit the maximum blower CFM to meet local code requirements.

Specifications subject to change, check zephyronline.com for up-to-date information.
 Zephyr Ventilation | 2277 Harbor Bay Parkway, Alameda, CA 94502 | 888.880.VENT

SEP18.0101

