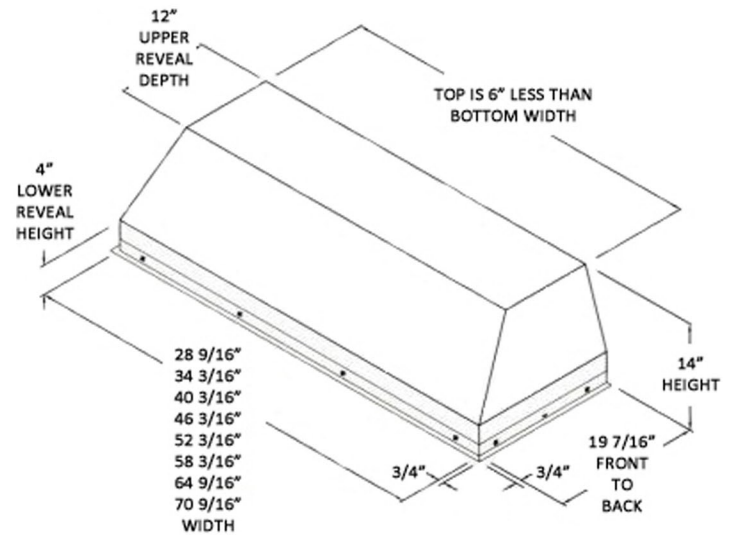


BLUESTAR® MLSS LINER

MLSS Features

- Handcrafted seamless construction with 20 gauge material
- Commercial-style stainless steel baffle filter system
- Stainless steel internal liner with double wall construction
- 3-speed fan control
- High heat sensor safety feature
- Accommodates top or rear discharge



MLSS Fan Options

Model	Size	In-Hood CFM	In-Line CFM	Remote CFM
BS-MLSS-28-SS-3	28 9/16"W x 19 7/16"D x 14"H	300 Included	300, 600 or 1200	1000 or 1400
BS-MLSS-28-SS-6	28 9/16"W x 19 7/16"D x 14"H	600 Included	300, 600 or 1200	1000 or 1400
BS-MLSS-34-SS	34 3/16"W x 19 7/16"D x 14"H	600 Included	300, 600 or 1200	1000 or 1400
BS-MLSS-40-SS	40 3/16"W x 19 7/16"D x 14"H	300, 600 or 1200	300, 600 or 1200	1000 or 1400
BS-MLSS-46-SS	46 3/16"W x 19 7/16"D x 14"H	300, 600 or 1200	300, 600 or 1200	1000 or 1400
BS-MLSS-52-SS	52 3/16"W x 19 7/16"D x 14"H	300, 600 or 1200	300, 600 or 1200	1000 or 1400
BS-MLSS-58-SS	58 3/16"W x 19 7/16"D x 14"H	300, 600 or 1200	300, 600 or 1200	1000 or 1400
BS-MLSS-64-SS	64 9/16"W x 19 7/16"D x 14" H	300, 600 or 1200	300, 600 or 1200	1000 or 1400
BS-MLSS-70-SS	70 9/16"W x 19 7/16"D x 14" H	300, 600 or 1200	300, 600 or 1200	1000 or 1400