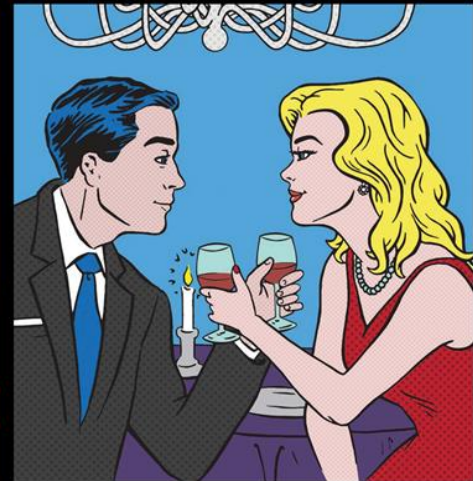


HELP! THE ONLY
REASON I HAVE A
KITCHEN IS THAT IT CAME
WITH THE HOUSE.



THE INTELLIGENT HAVE
PLANS BUT THE WISE HAVE
DESIGN PRINCIPLES.



CG60WOK-F
24" Gas Cooktop

Porter & Charles

2017 SPECIFICATION SHEET

CG60WOK-F

24" Gas Cooktop

Made from a single sheet of high quality black glass, give your kitchen a streamlined look. The flexible cooking zones provide you with a variety of cooking needs. Electronic touch controls ensure precise heat selection and the highlight zone heats up in less than 5 seconds; saving both time and energy.



COOKTOP FEATURES

- 4 high quality gas burners
- Continuous cast iron support grates
- Cast iron wok support ring
- UltraFlush stainless steel design
- Ergonomically placed control knobs
- Electronic ignition
- Flame failure safety system
- Shallow depth allows for easy install over drawers or an oven

COOKTOP PERFORMANCE

- 4 high quality sealed burners
- 1 x double ring wok burner – 13,600 BTU
- 2 x semi-rapid burner – 8,000 BTU
- 1 x simmer burner – 5,000 BTU down to 600 BTU

COOKTOP DIMENSIONS

D: 20" • W: 23^{3/16}"

D: 508 mm • W: 589 mm

CUT-OUT DIMENSIONS

D: 19" • W: 22^{13/16}"

D: 483 mm • W: 580 mm

ELECTRICAL REQUIREMENTS

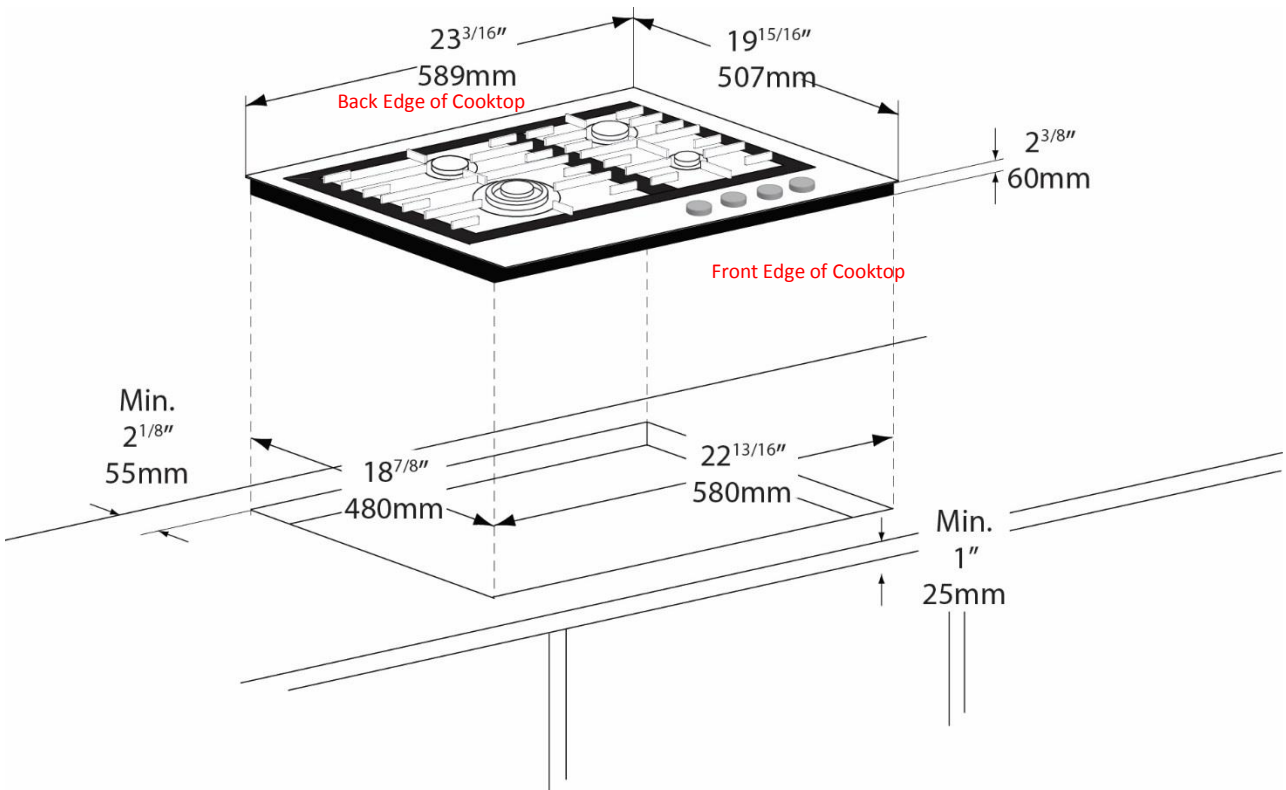
- 115 volt, 60Hz, 15 amp
- Supplied with 5ft electrical cord and plug

GAS CONNECTIONS & FITTINGS

- PORTER&CHARLES gas cooktops requires a 1/2" gas inlet and outlet fittings.

SPECIFICATIONS

CG60WOK-F



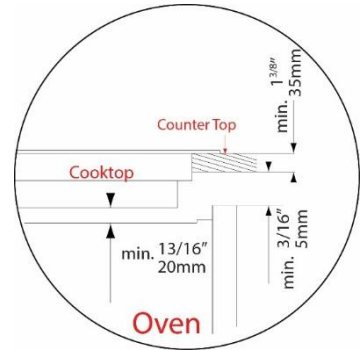
SPECIFICATIONS

CG60WOK-F

INSTALLING OVER BUILT-IN OVEN

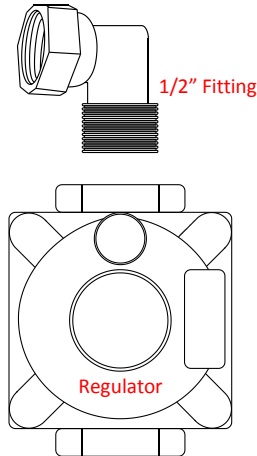
- There must be a minimum of 20mm (13/16") of space left between the bottom of the cooktop and the oven to allow air to flow.
- There must be a minimum of 5mm (3/16") of space left between the counter top and the door panel of a built-in oven / drawer.
- If insufficient air flow is provided, the life of the appliance will be shortened.

SIDE VIEW

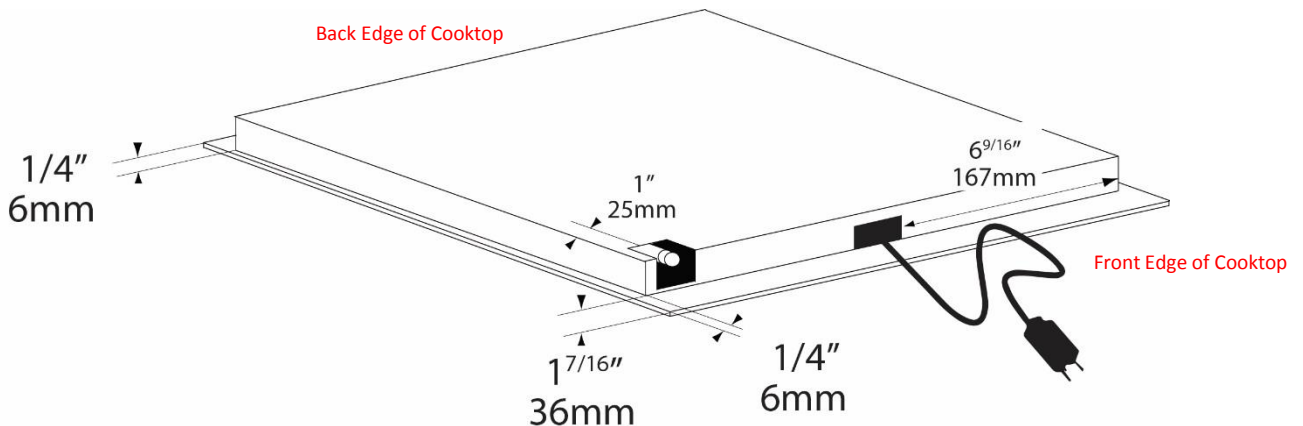


GAS HOOKUP FITTINGS

- PORTER&CHARLES gas cooktops requires a 1/2" gas inlet and outlet fittings.



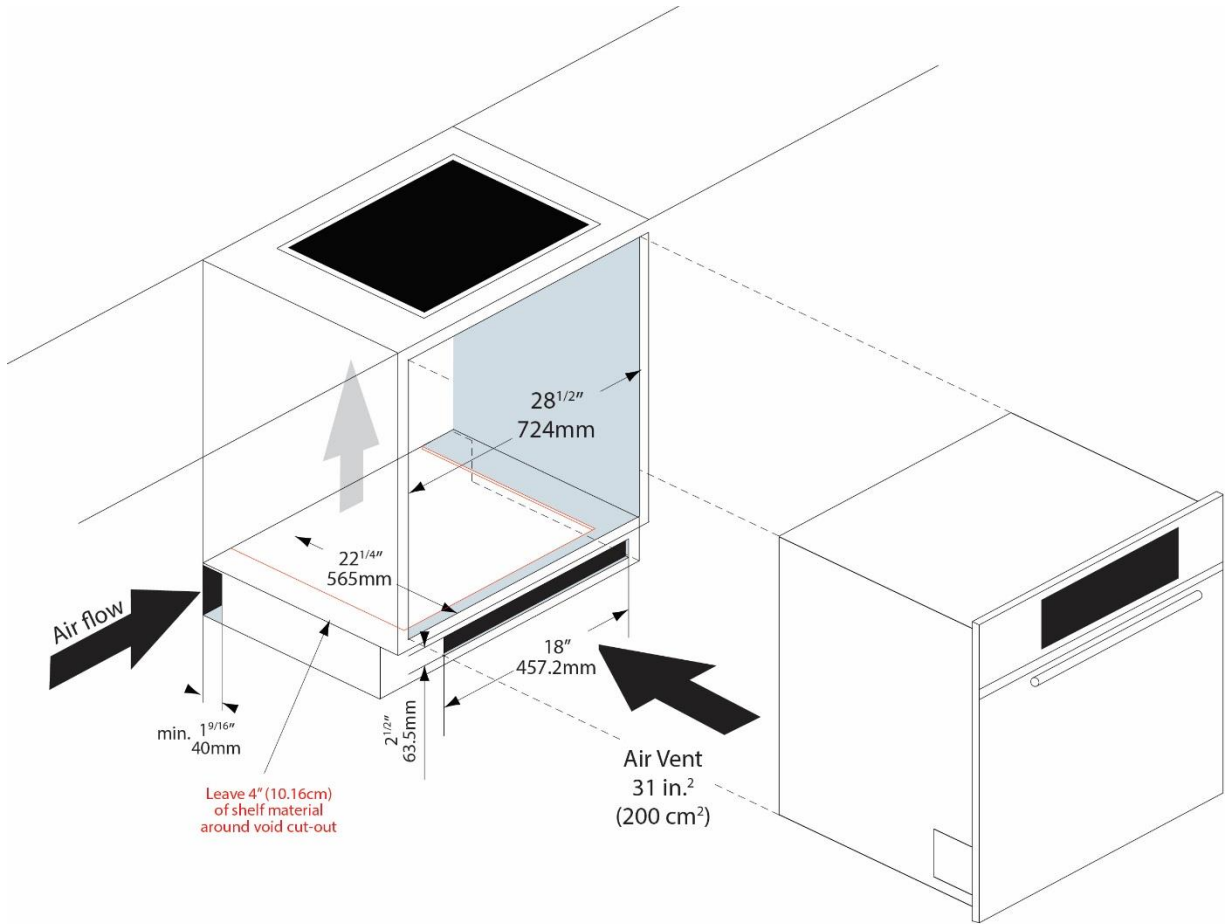
UNDERSIDE VIEW



SPECIFICATIONS

CG60WOK-F

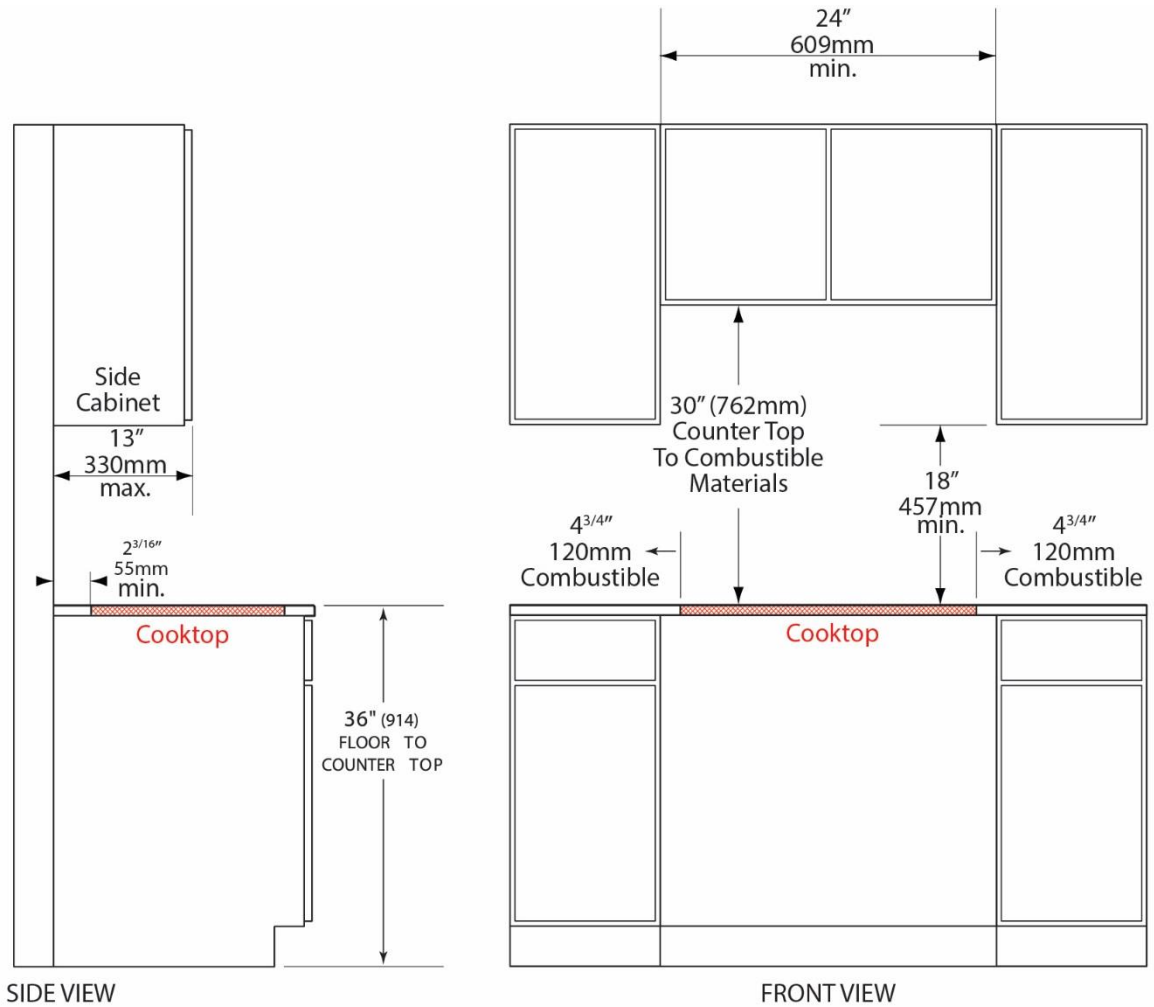
RECOMMENDED CABINET SPECIFICATIONS

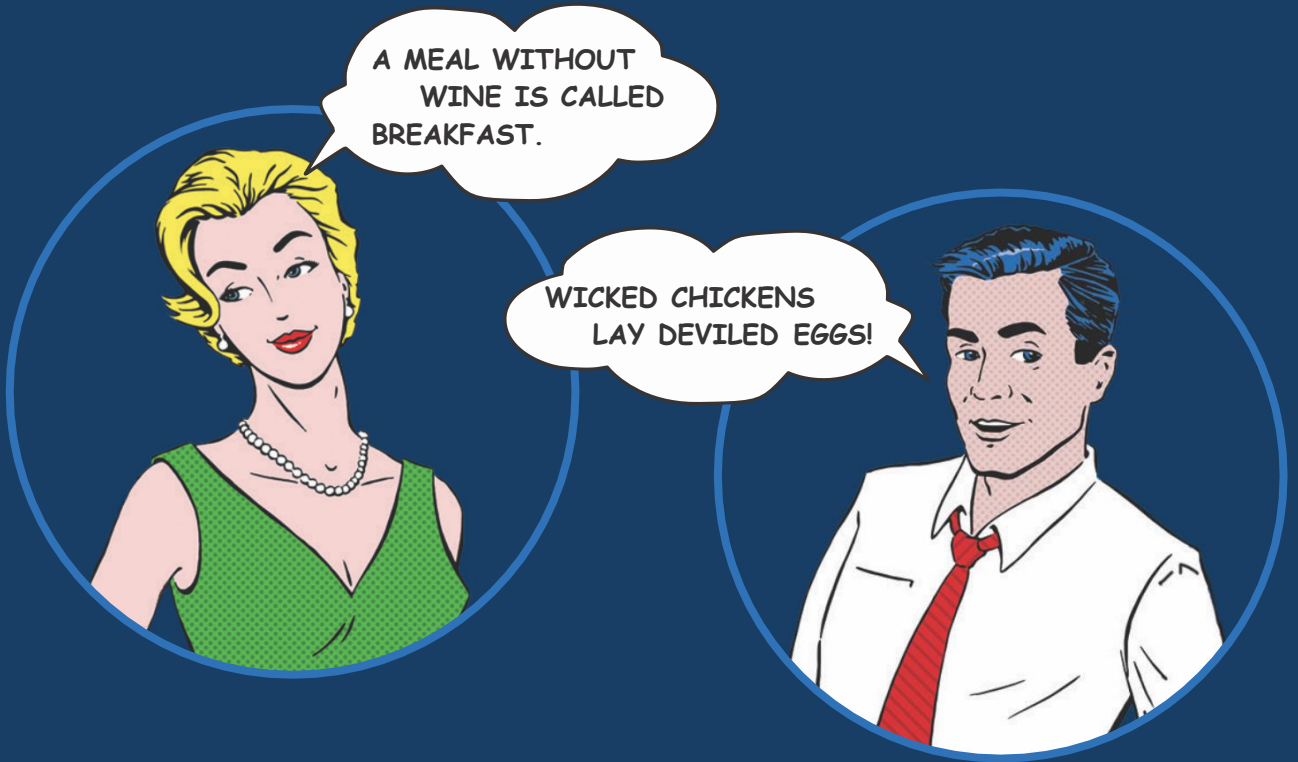


SPECIFICATIONS

CG60WOK-F

RECOMMENDED CABINET MINIMUM CLEARANCE





Porter & Charles Appliances are designed and manufactured to the highest standards. Each appliance is covered by a comprehensive 2-year parts and labour warranty.

Refer to product warranty policy for complete terms and conditions.

FOR PARTS AND SERVICE

Euro-Parts & Service

39822 Belgrave Road, Belgrave, ON. N0G 1E0
1 800 678 8352 (Canada) • 1 800 561 4614 (U.S.)

www.euro-parts.ca • parts@euro-parts.ca • service@euro-parts.ca

Porter & Charles appliances are imported and distributed in North America by Euro-Line Appliances Inc. For more information, please visit one of our showrooms or www.euro-line-appliances.com / www.elawest.com

EURO-LINE APPLIANCES INC.

871 Cranberry Court
Oakville, ON L6L 6J7 Canada
905 829 3980
1 800 421 6332

marketing@euro-line-appliances.com

EURO-LINE APPLIANCES WEST INC.

2912 West 4th Avenue
Vancouver, BC V6K 1R2 Canada
604 235 3980
1 855 ELA WEST (352.9378)

info@elawest.com

