

STEAM OVEN 700 SERIES



CODE ID

24" TOUCH CONTROL STEAM OVEN - STAINLESS STEEL

F7SCO24S1



CREACTIVE COOKING SYSTEM



Steam Cooking



Fingerprint Proof stainless steel



Meat Probe



Stainless Steel Interiors



Still Grill Racks



Steam Lime Scale Filter



Programmes Automatic Cleaning



Cool Door

OVEN

CREACTIVE operating system
Finish: Touch proof stainless steel
Control panel with touch controls
Magnetic water filter
Stainless steel interior
Internal lighting
Internal capacity 1.2 cu.ft (34 litres)
Safety door
Door contact switch
Control panel safety function
Tangential cooling ventilation

OVEN FUNCTIONS

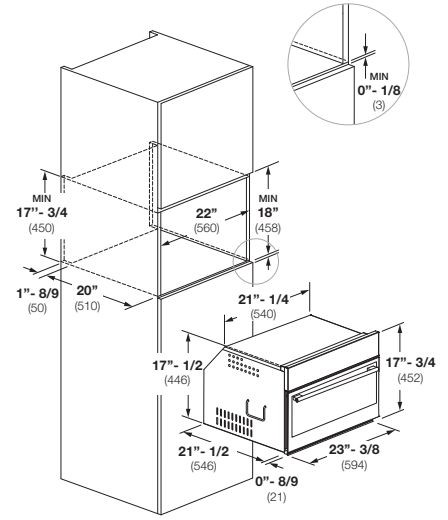
12 functions
Automatic cooking with
pre-selected and customizable
recipes (weight, temperature,
cooking time)
Steam system
Combined cooking functions
Steam recovery cycle
CLEAN, assisted cleaning cycle
for oven interior and steam circuit

STANDARD ACCESSORIES

Meat probe
1 micro-perforated pan
with stainless steel cover
1 stainless steel tray
1 flat rack
Water tank

DISTINTO

24" STEAM OVEN



CODE ID	F7SCO24S1 - 24" DISTINTO STEAM OVEN	
Series and Finish	700 SERIES - Stainless Steel	
CONTROL		
Programming	Creative full touch electronic	
Automatic cooking	•	
Auto power off	•	
OVEN		
Type	Steam Oven	
Interiors	Stainless Steel	
Pull-down door	•	
MAIN FEATURES		
Gross Capacity (cu.ft)	1.2	
Usable Capacity (cu.ft)	1.0	
Tangential cooling ventilation	•	
Total no. of modes	12	
PERFORMANCE		
Maximum cooking temperature	230°C / 446°F	
Automatic cooking	•	
Steam 210°F/270°F	•	
Steam injection 210°F	•	
Steam + fan assisted	•	
Defrosting (time/weight)	-	
Assisted cleaning (CLEAN)	•	
Power output grill (W)	1500	
SAFETY		
Door with safety lock	-	
Safety door / no. panes of glass	•/3	
Control lock	•	
ACCESSORIES		
No. of lights (20 W halogen)	1	
Removable tank (liters / fl oz)	1.4 / 45	
No./type of Gastronorm trays	2/Stainless steel	
Grey metal flat/no. of supports	1/1	
No. Gastronorm containers (on request)	6	
Rotating glass plate	-	
DIMENSIONS/WEIGHT		
Width in/mm	23" - 3/8	594
Height in/mm	17" - 3/4	452
Depth in/mm	21" - 1/2	546
Recess (LxHxP) in/mm	22"x18"x22"	560x458x560
POWER / RATINGS (208/240 V, 60 HZ)		
Max power absorbed (W)	3200W	
Power (V-Hz)	230/50	
Power cord	Conduit	
INSTRUCTIONS FOR USE		
Use & Care Manual / Installation Manual	English / French / Spanish	