

PRO

ROMA PRO

WALL

The Roma Pro redefines the meaning of pro-style hood with its remarkable size, powerful blower, and contemporary shape. Featuring Zephyr's new PowerWave™ blower technology, Roma Pro boasts a 750-CFM blower with the option to combine two blow-

ers together to achieve 1,300 CFM. Its unique aerodynamic blades improve efficiency with unparalleled quiet operation. Roma Pro also features Bloom™ GU10 LED lighting, pro baffle filters, and Airflow Control Technology™ (ACT™).

ZEPHYR

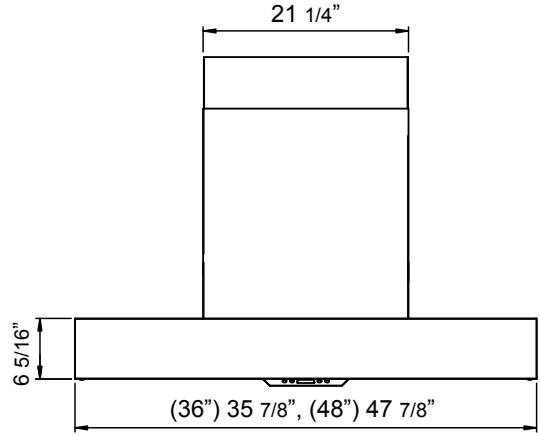
ZEPHYRONLINE.COM

ACT™ **POWERWAVE™**

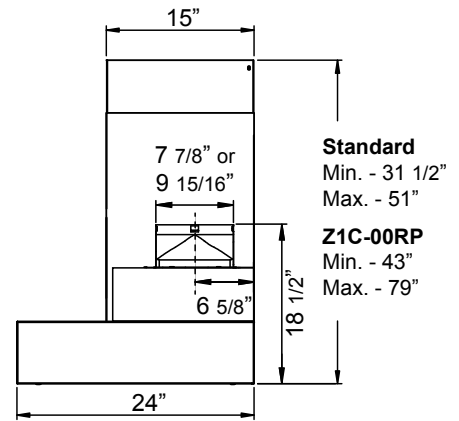
	INTERNAL BLOWER STANDARD	INTERNAL BLOWER with ACT™ AIRFLOW CONTROL TECHNOLOGY™*		
		200 - 590	200 - 390	200 - 290
SINGLE BLOWER (INCLUDED) Min. - Max. CFM	200 - 750	200 - 590	200 - 390	200 - 290
SINGLE BLOWER (INCLUDED) Min. - Max. Sones	0.5 - 7	0.5 - 5.5	0.5 - 2.5	0.5 - 1
DUAL BLOWER (OPTIONAL) Min. - Max. CFM	350 - 1,300	*AIRFLOW CONTROL TECHNOLOGY™ (ACT™) is an exclusive feature built into specific Zephyr hoods which can limit the maximum blower CFM to meet local code requirements.		
DUAL BLOWER (OPTIONAL) Min. - Max. Sones	1 - 8			



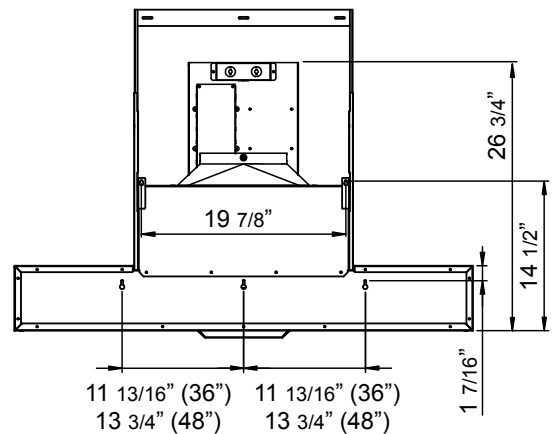
Optional Wireless Remote Control



FRONT



SIDE



BACK

MODEL		ZRP-E36AS	ZRP-E48AS						
Stainless Steel									
Size		36"	48"						
Included Single Blower		200-750 CFM, 0.5-7 Sones	200-750 CFM, 0.5-7 Sones						
ACT 590		200-590 CFM, 0.5-5.5 Sones	200-590 CFM, 0.5-5.5 Sones						
ACT 390		200-390 CFM, 0.5-2.5 Sones	200-390 CFM, 0.5-2.5 Sones						
ACT 290		200-290 CFM, 0.5-1 Sones	200-290 CFM, 0.5-1 Sones						
Optional Dual Blower		350-1,300 CFM, 1-8 Sones	350-1,300 CFM, 1-8 Sones						
FEATURES									
ACT™ Technology		Yes	Yes						
Controls		Electronic LCD	Electronic LCD						
Speed Levels		6	6						
Auto Delay-Off		Yes	Yes						
CleanAir Function		Yes	Yes						
Directional Lighting		Bloom™ GU10 LED, 6W x2	Bloom™ GU10 LED, 6W x4						
Dual-Level Lighting		Yes	Yes						
Filters		Pro Baffle x2	Pro Baffle x3						
Grease Collection Tray		Yes	Yes						
Wireless Remote Control		Yes, Optional	Yes, Optional						
Recirculating Option		No	No						
Duct Cover Extension Option		Yes	Yes						
ADA Compliant		Yes (w/ remote accessory)	Yes (w/ remote accessory)						
DUCT SPECIFICATIONS									
Vertical Single Internal Blower		8" Round	8" Round						
Horizontal Single Internal Blower		NA	NA						
Vertical Dual Internal Blower		10" Round	10" Round						
Horizontal Dual Internal Blower		NA	NA						
AC POWER (Single Blower)		120V, 60Hz at Max. 5A	120V, 60Hz at Max. 5A						
AC POWER (Dual Blower)		120V, 60Hz at Max. 8A	120V, 60Hz at Max. 8A						
OPTIONAL ACCESSORIES									
Wireless Remote Control		14000005	14000005						
Dual Internal Blower		PBD-1300A	PBD-1300A						
Duct Cover Extension		Z1C-00RP	Z1C-00RP						
Make-Up Air Kit (Single Blower)		MUA008A	MUA008A						
Make-Up Air Kit (Dual Blower)		MUA010A	MUA010A						
MOUNTING HEIGHT RANGE**		24" - 36"	24" - 36"						
WARRANTY		3 years parts, 1 year labor	3 years parts, 1 year labor						
CEILING HEIGHT		8'	8.5'	9'	9.5'	10'	10.5'	11'	12'
STANDARD DUCT COVER	Ducted Mounting Height**	24" - 28.5"	24" - 34.5"	24" - 36"	27" - 36"	33" - 36"	NA	NA	NA
DUCT COVER EXTENSION	Ducted Mounting Height**	NA	NA	24" - 29"	24" - 35"	24" - 36"	24" - 36"	24" - 36"	29" - 36"

*ACT™ only available with single internal blower.

**Mounting height refers to distance between top of a 36" tall cooking surface and bottom of hood.

ACT™ AIRFLOW CONTROL TECHNOLOGY™ (ACT™) is an exclusive feature built into specific Zephyr hoods which can limit the maximum blower CFM to meet local code requirements.

POWERWAVE™

POWERWAVE™ 3-PHASE BLOWER TECHNOLOGY delivers best-in-class performance with unparalleled quiet operation. It provides more power while minimizing noise and improving efficiency. Plus, its 1,300 CFM blower option makes it the most powerful dual-internal blower on the market.

Specifications subject to change, check zephyronline.com for up-to-date information.
Zephyr Ventilation | 2277 Harbor Bay Parkway, Alameda, CA 94502 | 888.880.VENT

JAN20.0201

