

# FRIGIDAIRE

FFTH082WA1

Built-In Air Conditioner

Available Colors : White

Version : 03/20

8,000 BTU Built-In Room Air Conditioner with Supplemental Heat- 115V/60Hz



## Product Specifications

### AC

Filter Access	Slide-Out
Fan Speed - Fan - General	3
Cabinet Louvers	No
Window Mounting Kit	No
Clean Air Ionizer	No
Remote Control	Full Function with Heat
Noise Level dB (High)	57.3
Low Voltage Start-up	Yes
Noise Level dB (Med)	57
Fan Auto	Yes
Fan Speeds - Cool	3
Air CFM (High)	280
Air CFM (Med)	259
Motor RPM (High)	1460
Motor RPM (Low)	1260
Air CFM (Low)	230
Exhaust Vent	No
Vents Closed	Yes
Slide-Out Chassis	No
Energy Saver	Yes
Noise Level dB (Low)	55
24-Hour On/Off Timer	Yes
Filter Type	Easy-to-Clean Washable Filter
Air Direction Control	6-Way
Fan Speeds - Heat	3
Fresh Air	No
Filter Check	Yes
Charge - ozs	17.1
Motor RPM (Med)	1360

### Certifications & Approvals

ENERGY STAR® Certified	No
Safety Certification	UL/CUL
NSF® Certified	No
ADA Compliant - All Brands	No
ETL Listed	No

### Controls

Control Location	Center panel
Sleep Mode	Yes
Control Type	Electronic

### Dimensions: Cut-Out

Height	15-5/8"
Width	25-15/16"
Width (Sleeve)	25-15/16"
Height (Sleeve)	15-5/8"

### Electrical Specifications

Plug Type	LCDI 5-15P
Watts (Heat)	1220
Amps (Cool)	8
Power Cord Length	6' (6-1/2')
Watts (Cool)	830
Voltage Rating	115V 60Hz

### Dimensions: Exterior

Depth	20-5/8"
Height	14-1/2"
Width	24"

### General Specifications

Warranty	1 Year Full/5 Year Sealed System
Shipping Weight (lbs)	78
Max Wall Thickness	18"
Refrigerant	R410a
PROP 65 Label	Yes

### Performance

Cool Area (Sq. Ft.)	350
BTU (Heat)	4200
Energy Efficiency Ratio	9
Dehumidification - Pints/Hr	1.9
Performance Certification	AHAM
BTU (Cool)	8000

### Accessories

Included Accessory	Universal Trim Kit
Unique Accessory Available	Sleeve Kit 5304514430 or 5304514429 / Outside Grille EA109T

Note: For planning purposes only. Always consult local and national electric, gas and plumbing codes. Refer to Product Installation Guide for detailed installation instructions on the web at [frigidaire.com/frigidaire.ca](http://frigidaire.com/frigidaire.ca). Specifications subject to change. Accessories information available on the web at [frigidaire.com/frigidaire.ca](http://frigidaire.com/frigidaire.ca)

FRIGIDAIRE

USA • 10200 David Taylor Drive • Charlotte, NC 28262 • 1-800-FRIGIDAIRE • [frigidaire.com](http://frigidaire.com)  
CANADA • 5855 Terry Fox Way • Mississauga, ON L5V 3E4 • 1-800-265-8352 • [frigidaire.ca](http://frigidaire.ca)

© 2018 Electrolux Home Products, Inc.

FFTH082WA1

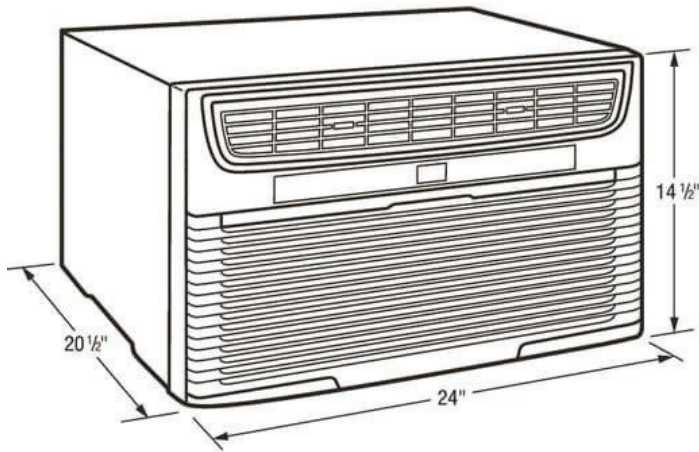
Built-In Air Conditioner

Available Colors : White

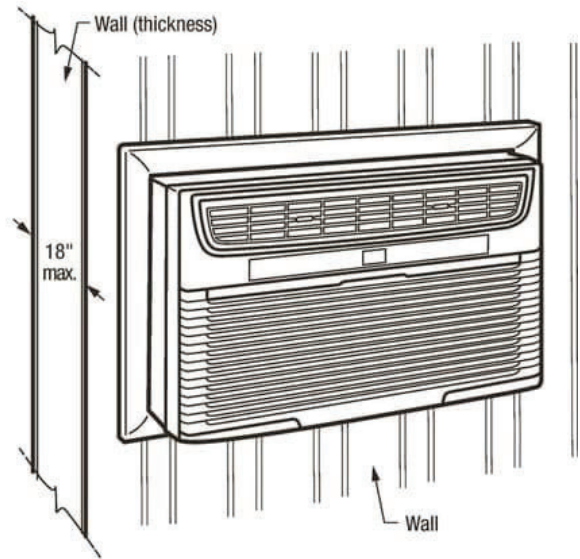
Version : 03/20

8,000 BTU Built-In Room Air Conditioner with Supplemental Heat- 115V/60Hz

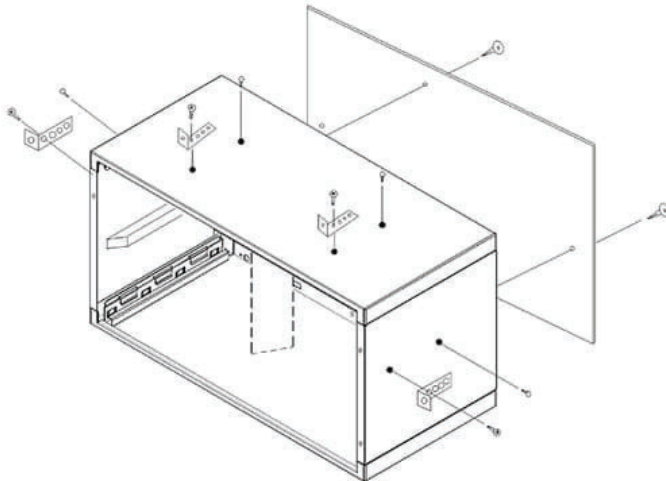
## Installation Drawing



### Through-The-Wall Installation



### Through-The-Wall 18" Sleeve Kit



Note: For planning purposes only. Always consult local and national electric, gas and plumbing codes. Refer to Product Installation Guide for detailed installation instructions on the web at [frigidaire.com/frigidaire.ca](http://frigidaire.com/frigidaire.ca). Specifications subject to change. Accessories information available on the web at [frigidaire.com/frigidaire.ca](http://frigidaire.com/frigidaire.ca)