

The BlueStar line of pro-style ventilation products are designed to clear the air of smoke, grease and odor. Seamless design is paired with heavy-duty construction to offer uncompromised durability, functionality and style.


PRODUCT FEATURES

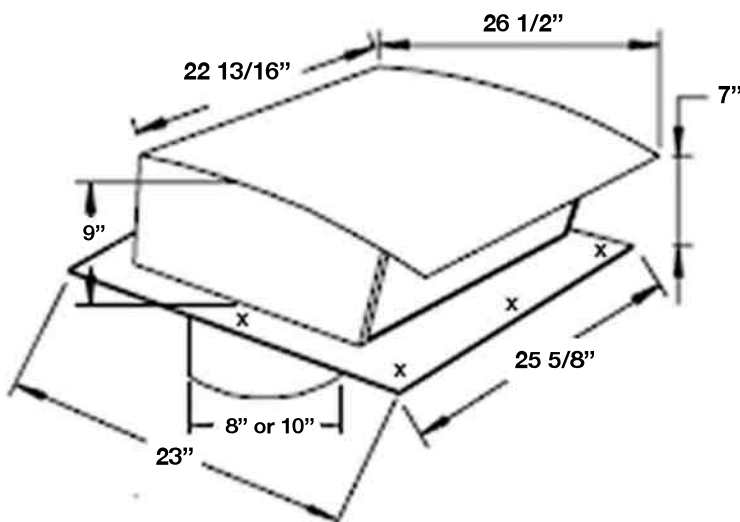
- Quiet operation
- Available in Galvalume, Matte Black or Metallic Copper Finishes
- 3-speed or variable speed control

MODELS AVAILABLE
1,000 CFM Models:

Galvalume Finish	HYEX-1.0-GA
Matte Black Finish	HYEX-1.0-BL
Metallic Copper Finish	HYEX-1.0-MC

1,400 CFM Models:

Galvalume Finish	HYEX-1.4-GA
Matte Black Finish	HYEX-1.4-BL
Metallic Copper Finish	HYEX-1.4-MC



Specifications subject to change without notice.