

Introducing the new BlueStar® Electric Wall Oven – the power, performance and quality of a BlueStar are now available in electric. Professional-level performance features make this oven the perfect addition to any chef's kitchen.

### PRODUCT FEATURES

- Powerful 2,500 watt bake element plus 1,800 watt heat assist for faster preheat
- Commercial-grade 5,000 watt Infrared Broiler
- Built-in artisan baking stone with precise temperature control
- Extra-large oven with True European Convection
- Intuitive touch screen control panel with 12 cooking modes
- Precision temperature probe that provides perfect temperature control
- Eco-friendly Continu Clean feature continuously cleans the oven cavity

### SPECIFICATIONS

Single Oven Dimensions: 30"W x 25.875"D x 27.5"H

Double Oven Dimensions: 30"W x 25.875"D x 55"H

Oven Interior: 26.25"W x 20"D x 15"H

Oven Bake Element: 2,600 watts

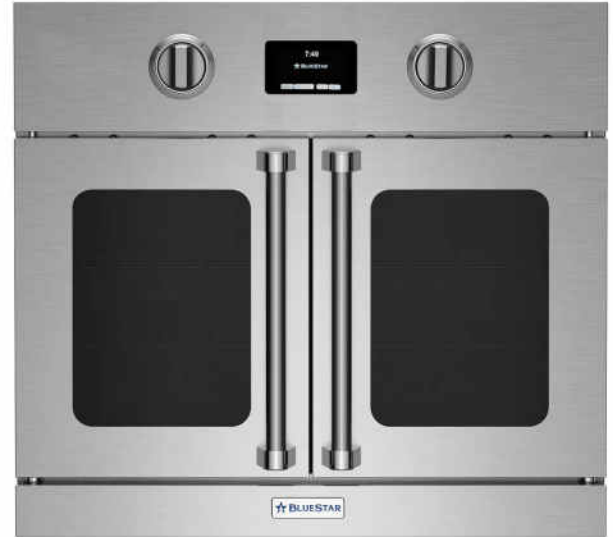
Oven Broiler Element: 5,000 watts

Oven Heat Assist Element: 1,800 watts

Electrical Requirements: 240V, 60Hz, 24 AMPs, 1 PH

(Unit must be on a Non-GFI, dedicated outlet)

*Note: For French door models: Unit should be installed at least 6" from side wall to allow for proper operation.*



### MODEL CONFIGURATION

French Door Electric Wall Oven

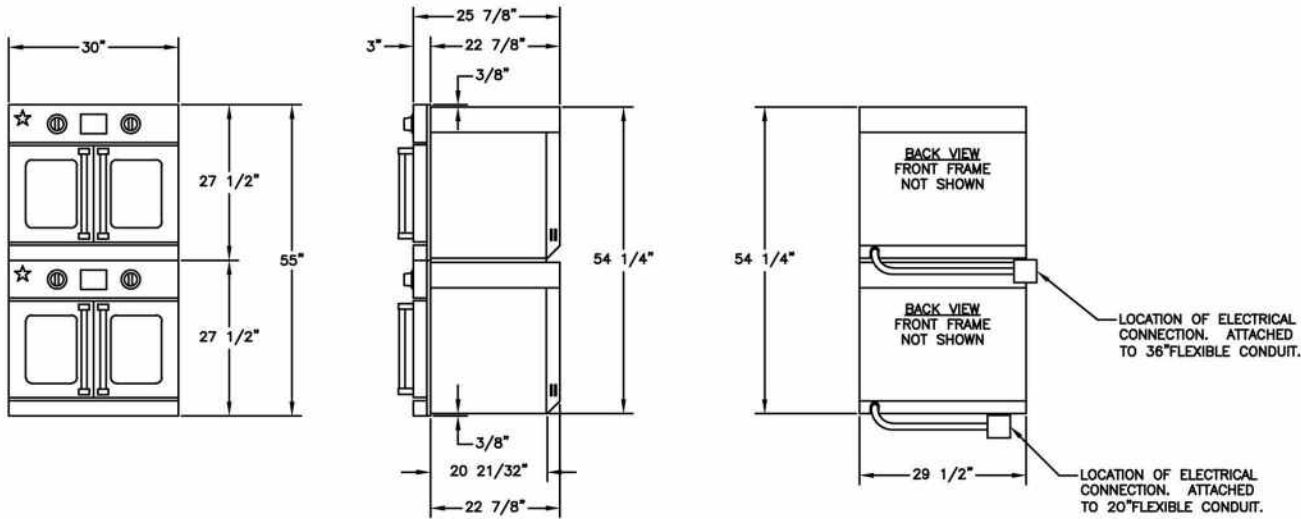
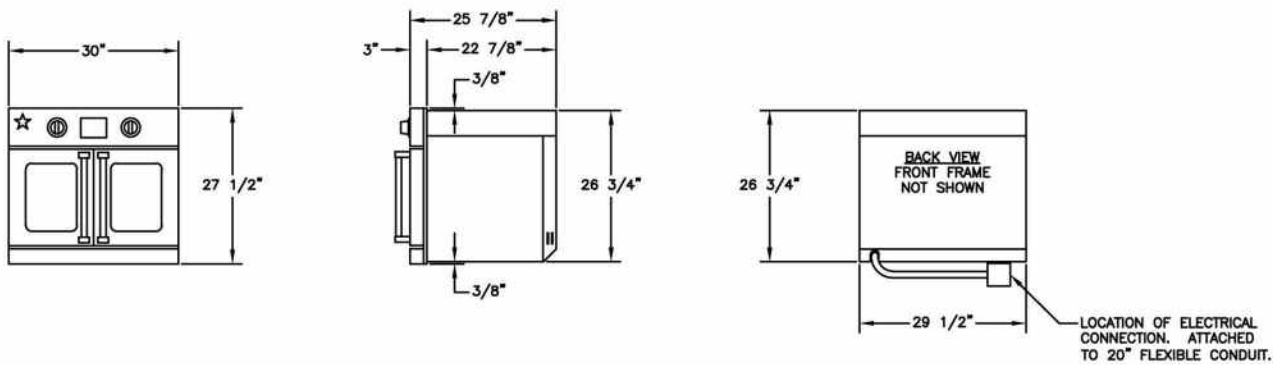
**BSEWO30ECSD**

For Double Electric Wall Oven configuration, order two Single Electric Wall Ovens and a 30" Electric Wall Oven stacking kit (EWOSTK-30).

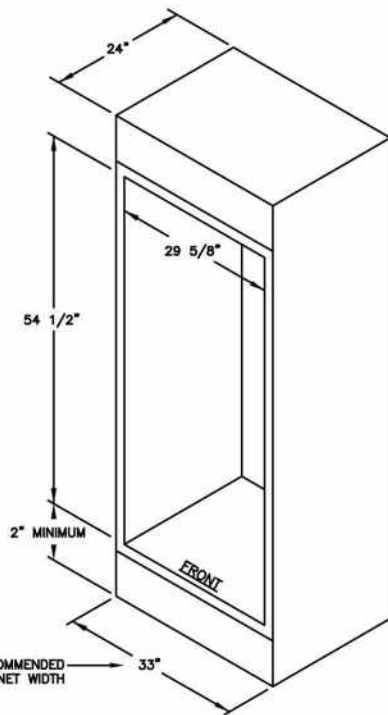
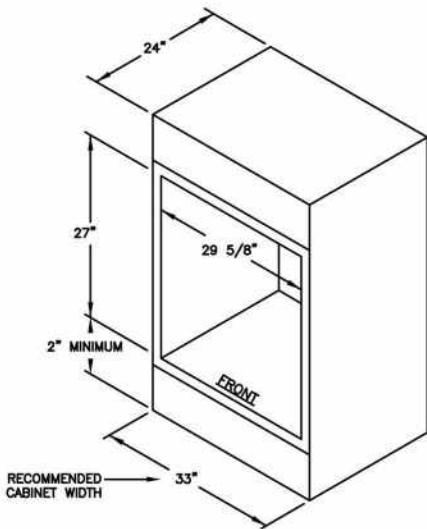
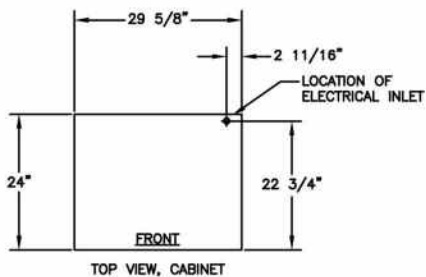
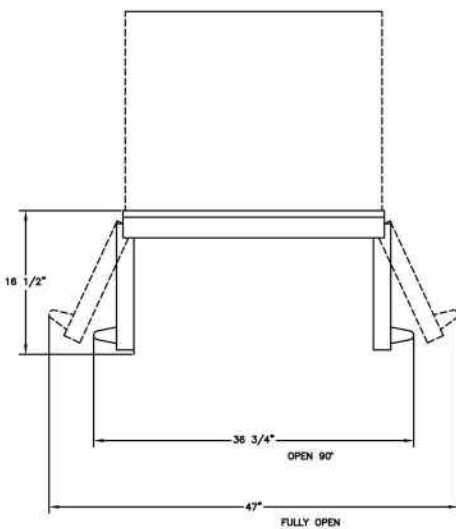
### ADDITIONAL CUSTOMIZATION OPTIONS

- 750+ color options
- Knob colors
- Trim options

*All specifications subject to change without notice. Visit [www.bluestarcooking.com](http://www.bluestarcooking.com) prior to site preparation or installation.*



French Door Model  
Open Door View



CLEARANCES