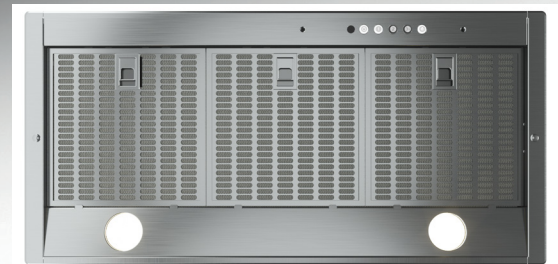


INCA HC INSERT RANGE HOOD



AN UPDATED VERSION OF THE CLASSIC FABER INSERT HOOD. The updated Inca HC by Faber now with VAM Technology; features new advanced electronic controls, an optional remote control and LED lights. The new Inca HC has stainless covered mesh dishwasher safe grease filters and has the ability to vent up or to the back to minimize duct work and maximize power.

Now with
Variable Air Management
adjust CFM for
your local codes

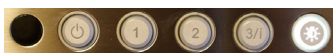


AVAILABLE MODELS

Model #	Size / Color	Set your CFM Level	Sound Levels (sones)
INHC29SSV	29 Stainless	600, 395, 295 CFM	2.8 - 7.5 sones
INHC35SSV	35 Stainless	600, 395, 295 CFM	2.8 - 7.5 sones

Note: set to 600 CFM motor class out of the box

KEY FEATURES



Backlit Electronic Controls

Backlit electronic controls with a White LED light to indicate the current speed and LED lighting. Now you can adjust CFM's at installation from the control buttons.



Direct Rear Venting

Vent the ducting up or rotate the blower to the back (as shown above) to avoid extra duct work when on an outside wall



Remote Control (optional)

Control all features of the hood from the convenience of a ADA compliant wireless remote control (sold separately)



Easy Snap Mounting Clips

Installation with easy built-in adjustable clips that tighten onto the sides of the cabinet floor

INCA HC INSERT RANGE HOOD

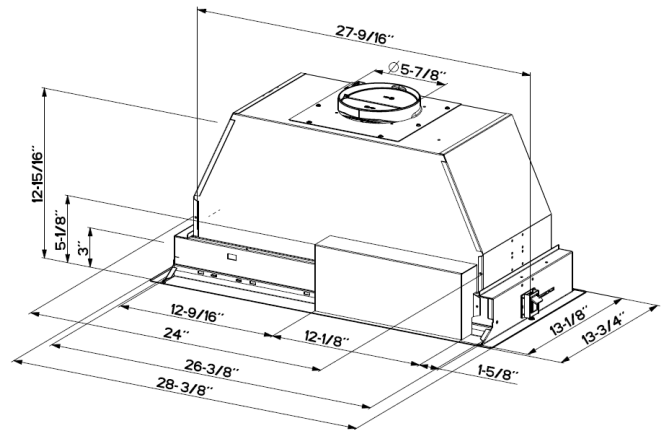


SPECIFICATIONS

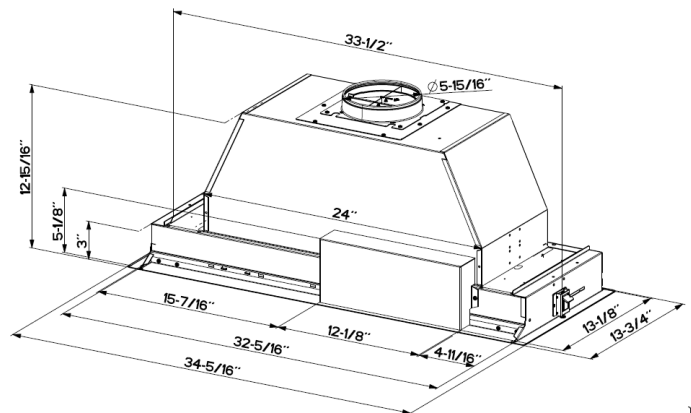
cut out dimensions 29"	27 5/8" w x 13 9/16" d
cut out dimensions 35"	33 3/4" w x 13 9/16" d
convertible to ductless / recirculating	yes - FILTER1 or FILTER1LL
body width depth	28 3/8" OR 34 5/16" w X 13 3/4" d
height inside cabinet	12 15/16" high
Variable Air Management	Yes (set to 295, 395, 600 CFM)
controls	4 speed electronic w/ white LED
lighting	2 X 5 W LED
ducting top/rear (Vari-Duct)	6" round
built In mounting	yes - Easy Snap Clips
grease filters	dishwasher safe stainless mesh
10 minute intensive speed	yes
15 minute auto shut off	yes
ADA compliant	yes - with optional remote
power cord included	yes

DIMENSIONS

29" Dimensions



35" Dimensions



PERFORMANCE

SPEED	1	2	3	BOOST
CFM	150	295	395	560
Sones	2.8	4.3	6.0	7.5

ACCESSORIES

FILTER1 - Charcoal Filter Kit

High quality charcoal filter for use when recirculating the air back into the kitchen. Filters out odor and should be replaced every 6 months

FILTER1LL - Long Lasting Charcoal Filter Kit

New washable charcoal filter can be recharged and washed up to 8 times. For use when recirculating the air back into the kitchen. Filters out odor and can last up to 4 years.

REMCTRL2 - Remote Control

Control all features of the hood from the convenience of a ADA compliant wireless remote control.

LINE30ST / LINE36ST - Stainless Steel Liner 30 & 36" (FOR 29" HOOD ONLY)

See page 3 for more information

LINE36PT (NEW) - Stainless Steel Liner 36" (FOR 35" HOOD ONLY)

See page 3 for more information

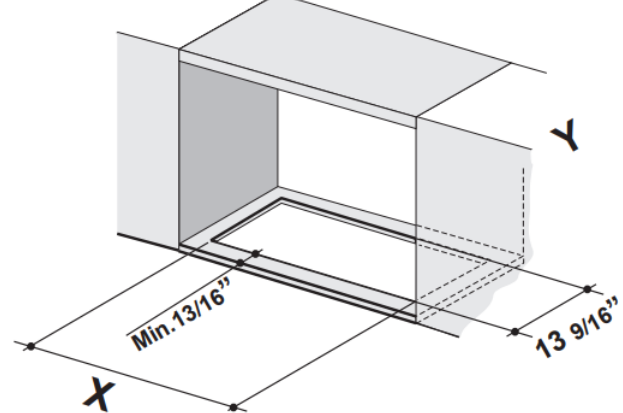
MUDAMPER6 / MUDAMPER8 - Universal Make-Up Air Damper

Satisfies make-up air requirements, this kit uses an air switch to activate the make-up air damper to open and bring fresh air into the home when the hood fan is on. It then closes tightly when the hood is off. The CFM level is not reduced with this accessory.

WIREBOX - Fixed Wiring Box

Replace the power cord with a hard wired box to power the range hood

Cut Out Size



Hood	29"	35"
X	27 5/8"	33 3/4"
Y	13 9/16"	13 9/16"



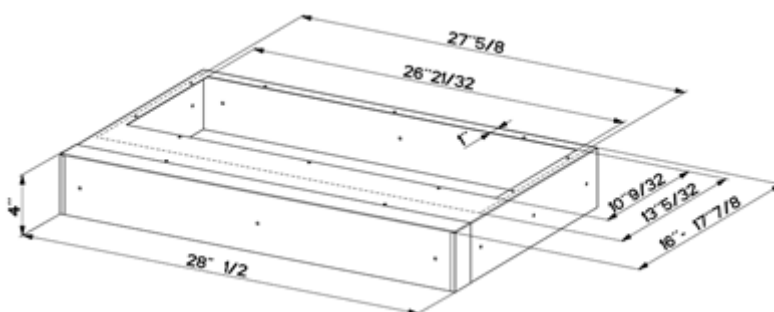
WARNING! Product specifications are subject to change without notification. Consult the installation instructions before you begin installing this range hood



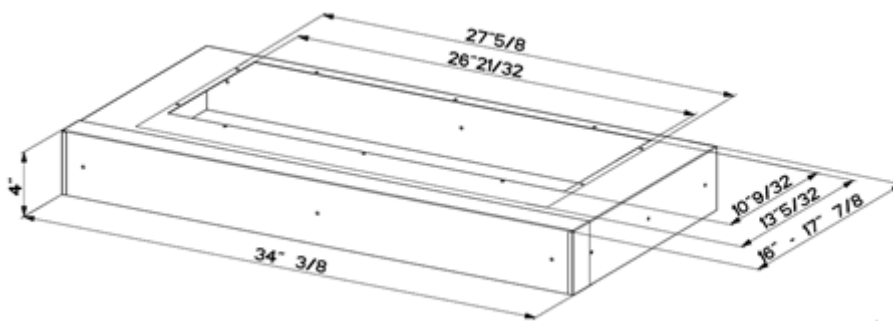
LINER SPECIFICATIONS

Liners are stainless steel kits that are optional for cabinet insert hoods. They create a metal 4" tall perimeter to "line" the wood below the range hood with metal. They create a more finished look and move the range hood up 4" creating additional capture area. In some cases, a liner may be required by local code if the cabinet starts at below 30" off the stove (check local building codes). All liners are adjustable in depth with a telescoping frame.

LINE30ST - USE WITH INHC29SSV ONLY FOR 30" WIDE CABINETS



LINE36ST - USE WITH INHC29SSV ONLY FOR 36" WIDE CABINETS



LINE36PT - USE WITH INHC35SSV ONLY FOR 36" WIDE CABINETS

