

WARNING!

**PLEASE READ CAREFULLY
ALL PAGES OF THESE
INSTRUCTIONS**

**CUTOUT
INSTRUCTIONS**



forno.ca

VI. Counter Installation for 1" or less:

Warning!

For Your Safety: Do not store or use gasoline or other flammable vapors and liquids in the vicinity of this or any other appliance. To eliminate the risk of burns or fire due to overheating, cabinets located above the induction unit should be avoided. If cabinet space is available, the risk can be reduced by installing a range hood that protects horizontally at a minimum of 5 inches below the bottom of the cabinets.

IMPORTANT INSTALLATION INFORMATION

All electric cooktops run off a single phase, three-wire cable, 240V/60Hz AC only electrical supply with ground. Minimum distance between cooktop and overhead cabinetry is 30".

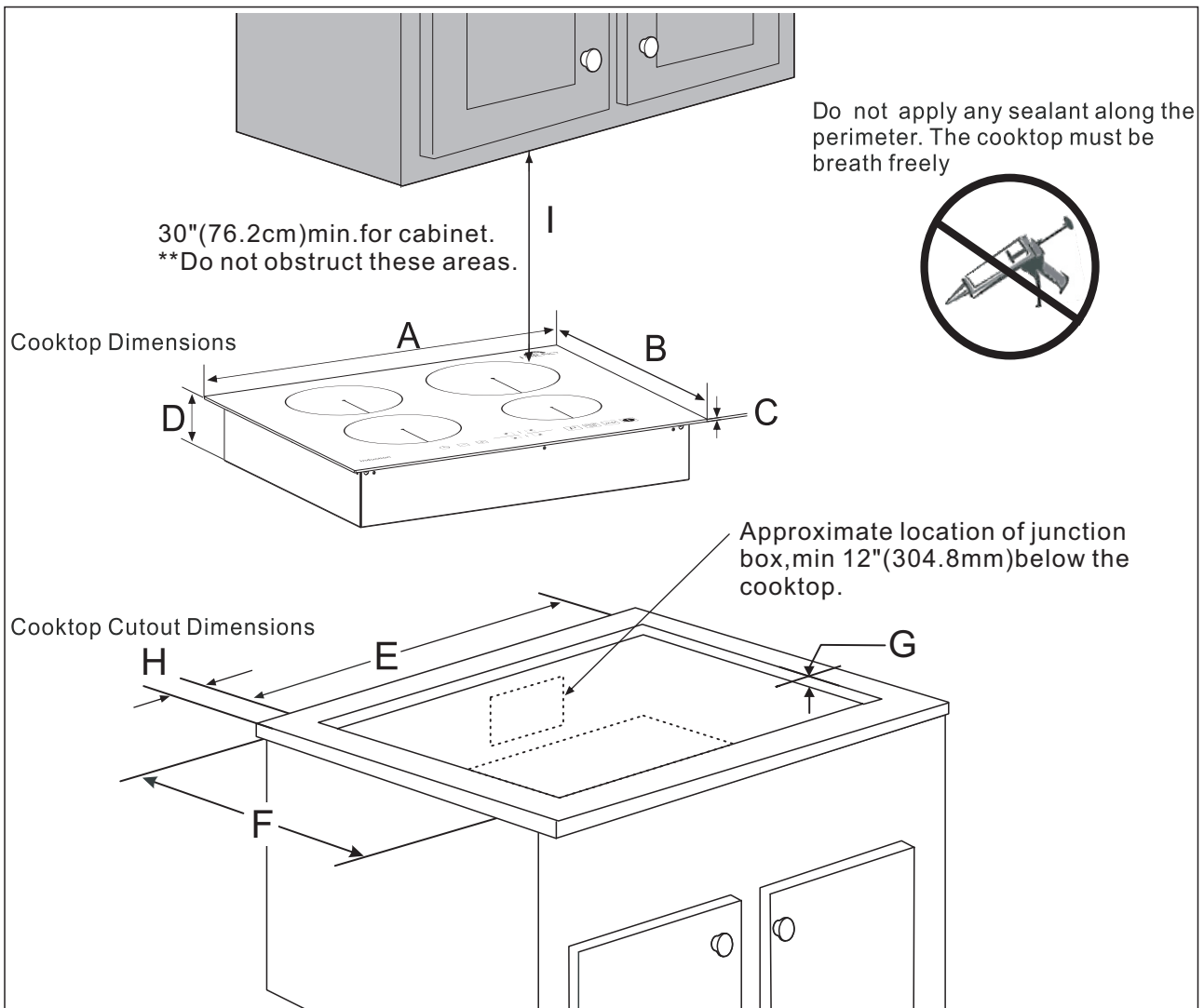
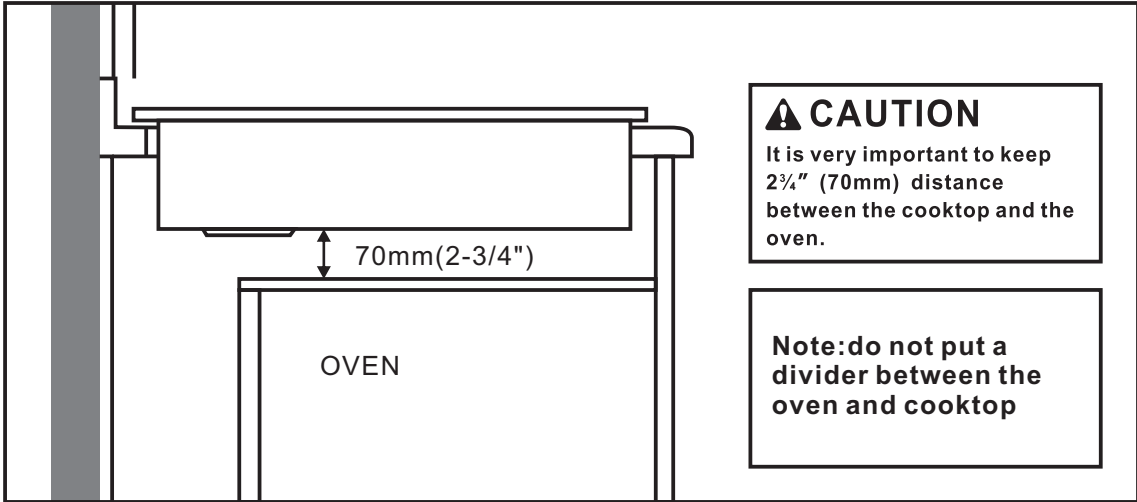


Figure 1

VI. Counter Installation for 1" or less:



Cooktop Dimensions

A. Width	B. Depth	C. Height	D. Height
23-7/32"	20-15/32"	5/32"	2-5/32"

Cooktop Cutout Dimensions

E. Depth	F. Depth	G. Depth	H. Depth	I. Depth
Minimum: 21-31/32" Maximum: 22-7/16"	Minimum: 18-29/32" Maximum: 19-7/8"	Minimum: 13/32" Maximum: 25/32"	Minimum: 1-31/32"	Minimum: 30"

VI. Counter Installation for more than 1" thickness

Warning!

For Your Safety: Do not store or use gasoline or other flammable vapors and liquids in the vicinity of this or any other appliance. To eliminate the risk of burns or fire due to overheating, cabinets located above the induction unit should be avoided. If cabinet space is available, the risk can be reduced by installing a range hood that protects horizontally at a minimum of 5 inches below the bottom of the cabinets.

IMPORTANT INSTALLATION INFORMATION

All electric cooktops run off a single phase, three-wire cable, 240V/60Hz AC only electrical supply with ground. Minimum distance between cooktop and overhead cabinetry is 30".

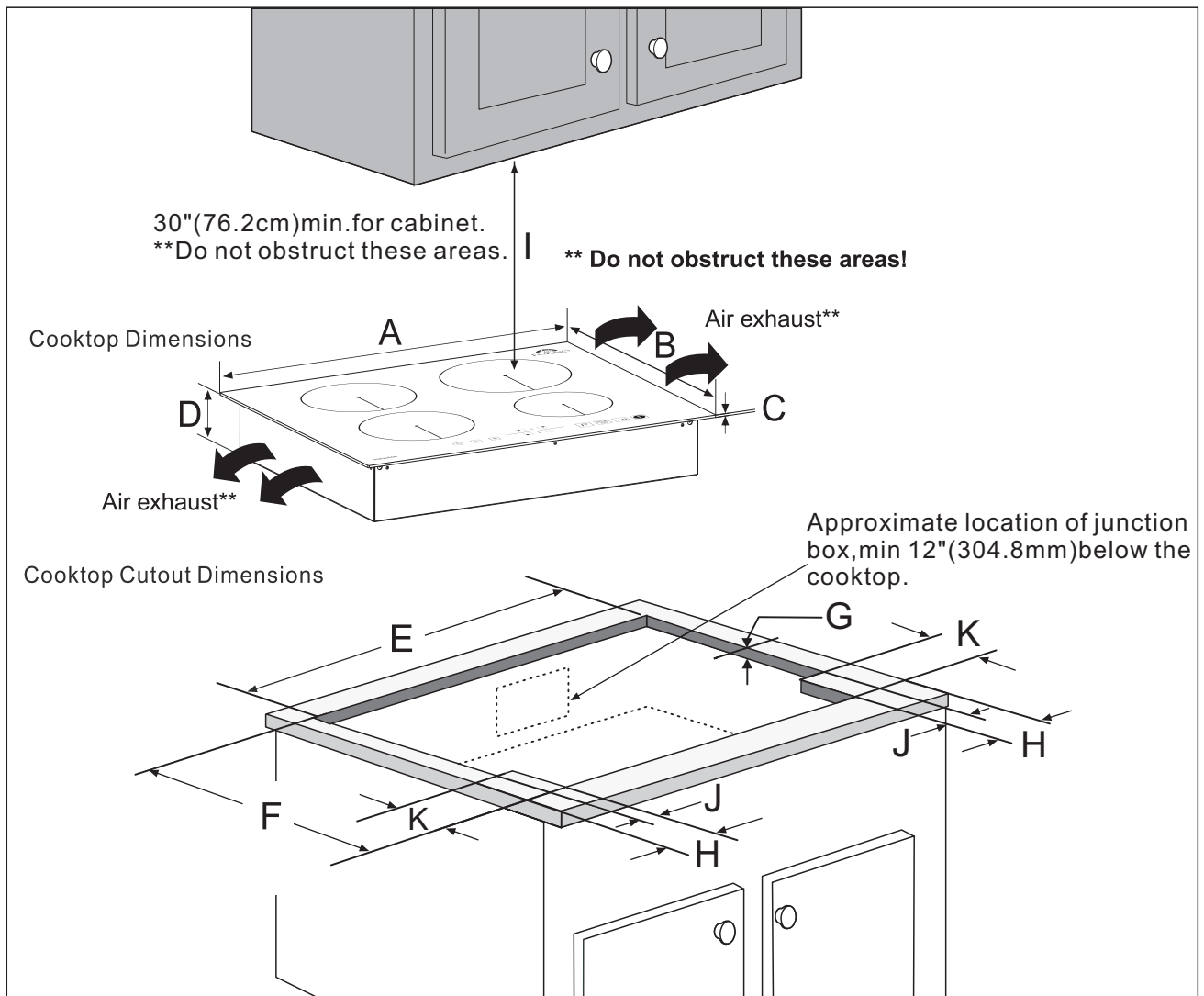
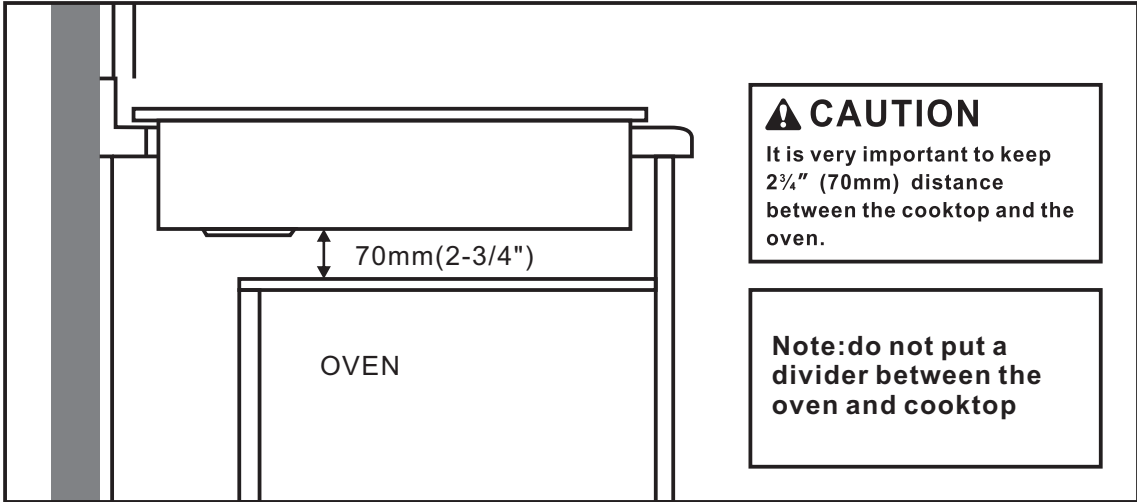


Figure1

VI. Counter Installation Instructions



Cooktop Dimensions

A. Width	B. Depth	C. Height	D. Height
23-7/32"	20-15/32"	5/32"	2-5/32"

Cooktop Cutout Dimensions

E. Depth	F. Depth	G. Depth	H. Depth	I. Depth	J. Depth	K. Depth
Minimum: 21-31/32" Maximum: 22-7/16"	Minimum: 18-29/32" Maximum: 19-7/8"	Minimum: 13/32" Maximum: 25/32"	Minimum: 1-31/32"	Minimum: 30"	Minimum: 13/32"	Maximum: 3"