

ELICA PRO SERIES AREZZO



HUSH SYSTEM



LED REPLACEABLE



SEAMLESS LOOK



GREASE COLLECTORS



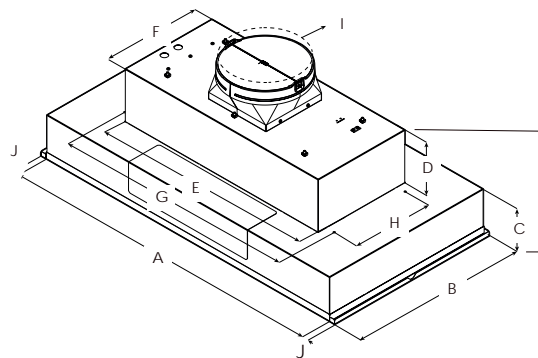
PROFESSIONAL PERFORMANCE



HEAT GUARD

ELICA'S EXCLUSIVE PLUS FEATURES

Arezzo provides professional grade performance, while being discreetly mounted inside the cabinetry. Available in 28 1/2" and 34 1/2" width with a 600 CFM blower, and equipped with a 1200 CFM blower for widths of 34 1/2", 40 1/2" and 46 1/2" for extraordinary ventilating power. The extra depth (22") is ideal for supporting powerful professional ranges. Plus the All-In-One design avoids the need to purchase a stainless liner. Hidden metallic in/out knob controls operate the 4-speed blower and LED lighting.



MOUNTING
HEIGHT
RANGE

	EAR634SS			
	EAR628S4	EAR134S4	EAR140S4	EAR146S4
A	28 1/2" (72.4 cm)	34 1/2" (87.6 cm)	40 1/2" (103 cm)	46 1/2" (118 cm)
B	22" (55.9 cm)	22" (55.9 cm)	22" (55.9 cm)	
C	5 7/16" (13.8 cm)			
D	6 1/2" (16.4 cm)			
E	27 9/16" (70 cm)			
F	12 7/16" (31.6 cm)			
G	29 13/16" (75.7 cm)			
H	10 1/8" (25.7 cm)			
I	10" (25.4 cm)			
J	3/4" (1.9 cm)			
K	11 1/2" (30.4 cm)			

ELICA PRO SERIES AREZZO



SPECIFICATIONS

	28" Unit	34" Unit	40" Unit	46" Unit
Model:	EAR628S4	EAR634SS (600 CFM) EAR134S4 (1200 CFM)	EAR140S4	EAR146S4
Dimensions:	28 1/2"W x 22"D x 11 1/2"H	34 1/2"W x 22"D x 11 1/2"H	40 1/2"W x 22"D x 11 1/2"H	46 1/2"W x 22"D x 11 1/2"H
Blower Type(internal):	600 CFM(4-speed)	600 CFM / 1200 CFM (4 speed)	1200 CFM(4-speed)	1200 CFM(4-speed)
Blower Performance:				
Speed 1	90 CFM	90 CFM 380 CFM	380 CFM	380 CFM
Speed 2	330 CFM	330 CFM 660 CFM	660 CFM	660 CFM
Speed 3	490 CFM	490 CFM 950 CFM	950 CFM	950 CFM
Speed 4	600 CFM	600 CFM 1200 CFM	1200 CFM	1200 CFM
Noise (sones): Working Speed	Min:2 , Max:9.6	Min:2, Max: 9.5	Min:2.05, Max:7.5	Min:2.05, Max:7.5
Finish:	Stainless Steel			
Controls:	Fully retractable rotating knobs with blue backlighting			
Illumination: (replaceable lamps 1 intensity)	2 LED, 7.5 Watts	2 LED, 6.5 Watts (EAR634SS) 2 LED, 7.5 Watts (EAR134S4)	4 LED, 7.5 Watts	4 LED, 7.5 Watts
Filter Type:	Dishwasher-Safe, Professional Stainless Steel Baffle Filter			
Angled Baffle Filters:	1	2	2	3
Duct Transition:	10" Round with BackDraft Damper (top only)			
Installation Type:	Ducted Installation Only			
Electrical:	120V - 60 Hz			
CONSUMABLE PARTS:				
Replacement Grease Filter (1):	GF09EA	GF09GA	GF09FA	GF09EA
Replacement Light Bulb (1):	LMP0131098	LMP0131098A (EAR634SS) LMP0131098 (EAR134S4)	LMP0131098	LMP0131098
WARRANTY:	2 YEARS PARTS AND LABOR, EARN A 3RD YEAR OF FULL FACTORY WARRANTY REGISTERING YOUR PRODUCT ON ELICA.COM			

*Consumable parts are sold in units of one (1). Order accordingly

** For valid warranty extension, register within 3 months from purchase. For USA & Canada Users only

*The product images shown are for illustration purposes only and may not be an exact representation of the product.

PLUS FEATURES



HUSH SYSTEM - An exclusive sound deadening technology that effectively reduces sound levels by over 35%



LED CONSUMER REPLACEABLE BULB - High quality LED lighting usually requires a skilled technician to replace lamps. Avoid this expense with Elica's new LED lamps that enable homeowners to replace in seconds



SEAMLESS CRAFTSMANSHIP - Heavy gauge stainless steel "Seamless" construction that delivers refined elegance.



STAINLESS STEEL BAFFLE FILTERS WITH GREASE COLLECTORS - Designed for high airflow cooking, the "S" shape design traps high volumes of grease



PROFESSIONAL PERFORMANCE - Special features and high performances for models with aspiration capacity between 600 and 1200 CFM's



HEAT GUARD - Senses extreme temperatures (>158 degrees) and automatically adjusts the blower speed to HIGH