

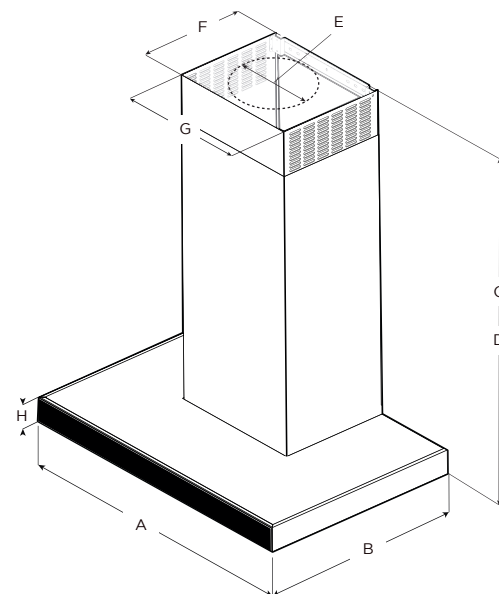


ELICA'S EXCLUSIVE PLUS FEATURES

With a minimalist design but a strong stainless steel construction, Mezzano is in tune with avant-garde appliances where clear and architectural lines take precedence.

Mezzano has a powerful 600 CFM blower, LED dimmable, stainless steel microhole filters and high-tech multi-function touch controls that deliver convenience and safety.

Mezzano was designed for standard ducted installation, but with also can be installed using the Recirculating Kit, available as an accessory.



MOUNTING  
HEIGHT  
RANGE



	Models	
	EMZ630S3	EMZ636S3
A	30" (76.2 cm)	36" (91.4 cm)
B	19 <sup>11</sup> / <sub>16</sub> " (50 cm)	
C*	Max: 54 <sup>11</sup> / <sub>64</sub> " (139 cm) Min: 33 <sup>11</sup> / <sub>32</sub> " (86 cm)	
D**	Max: 50 <sup>5</sup> / <sub>16</sub> " (129 cm) Min: 29 <sup>11</sup> / <sub>16</sub> " (77 cm)	
E	6" (15.24 cm)	
F	10 <sup>3</sup> / <sub>4</sub> " (27 cm)	
G	13 <sup>1</sup> / <sub>32</sub> " (33 cm)	
H	2 <sup>6</sup> / <sub>16</sub> " (6 cm)	

\* Ductless (Recirculating) version  
\*\* Ducted version

## SPECIFICATIONS

	30" UNIT	36" UNIT
Model:	EMZ630S3	EMZ636S3
Dimensions:	30"W x 19 11/16"D x 29 11/16 "H	36"W x 19 11/16"D x 29 11/16"H
Blower Type(internal):	600 CFM (4-speed)	
Blower Performance:		
Speed 1	160 CFM	
Speed 2	280 CFM	
Speed 3	470 CFM	
Speed 4	600 CFM	
Noise (sones): Working Speed	Min: 1.73, Max: 6 Sones	
Finish:	Stainless Steel + Black Glass	
Controls:	Touch Control 3S+ Booster	
Illumination:	2 Premium LED Dimmable Lights, 2.5 W	
Filter Type:	Dishwasher- Safe, Staineless Steel Microhole Filter (2 w/30", 3 w/36")	
Installation Type:	Ducted or Recirculating with Installation Kit (sold separately)	
Duct Transition:	Round 6"/150cms	
Electrical:	120 Volts, 60 Hertz, 455 Watts, 3.8 Amps	
KITS:		
Optional Recirculating Kit Install height: 7,6 - 10,2 ducted / rec 7,10 - 10,6	KIT0102875	
Optional Long Chimney Extension 8,6 - 12,2 ducted / rec 8,10 - 12,6	KIT02785	
<b>WARRANTY:</b>	2 YEARS PARTS AND LABOR, EARN A 3RD YEAR OF FULL FACTORY WARRANTY REGISTERING YOUR PRODUCT ON ELICA.COM	

\*\* For valid warranty extension, register within 3 months from purchase. For USA & Canada Users only

\*The product images shown are for illustration purposes only and may not be an exact representation of the product.

## PLUS FEATURES



**AMBIENT LIGHT** - Elica studies on hood lighting leaves no stone unturned. Here we have thought about products not only able to light the cooktop, but the entire kitchen space. And so the hood is transformed: from a kitchen appliance to a true lighting element. Considering the design of Elica hoods, it is not hard to imagine how this option is quite unique, and represents one extraordinary point of strength for us.



**LED LIGHT** - LED lighting is undoubtedly the smartest solution in terms of energy saving. Expected life time of over 20.000 hours, represents the most remarkable advantage of LED light bulbs.



**HUSH SYSTEM** - An exclusive sound deadening technology that effectively reduces sound levels up to 35%, compared to typical range hoods.



**DIM-LIGHT** - The Dimmer allows you to adjust the brightness of the light as you wish. With Elica, lighting is customized in a discreet, personal and practical way, in order to contribute in creating the perfect kitchen atmosphere.



**TOP PERFORMANCE** - Excellent performance for models equipped with this plus. High fume capturing capacity with an average aspiration range of 600 CFM's. with low noise levels, 1.2 - 1.7 sones at working speed.



**CFM REDUCTION** - CFM Reduction System (CRS), is an exclusive feature to Elica hoods, which enables the user to reduce directly in the glass touch control the maximum blower CFM, to meet local code requirements.



**ELECTRONIC TOUCH CONTROLS** - Enjoy the modern design and convenience of multi-function electronic touch controls, which are discreetly hidden behind sleek black glass, and will illuminate a soft blue when activated.