

DESIGNER

APEX

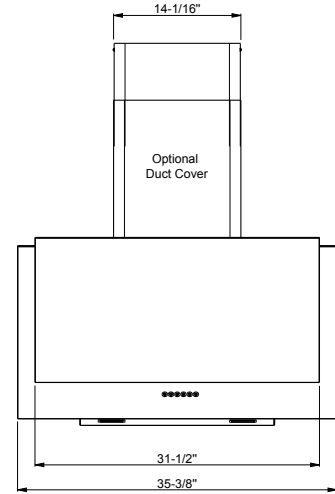
WALL

ZEPHYR

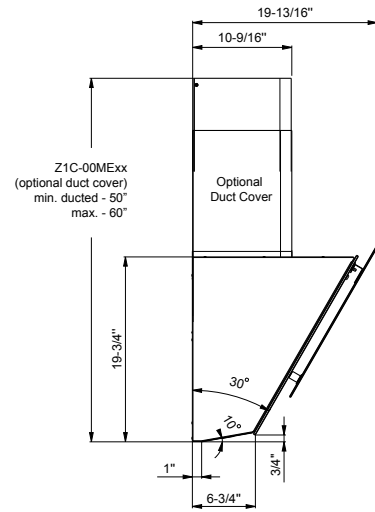
ZEPHYRONLINE.COM



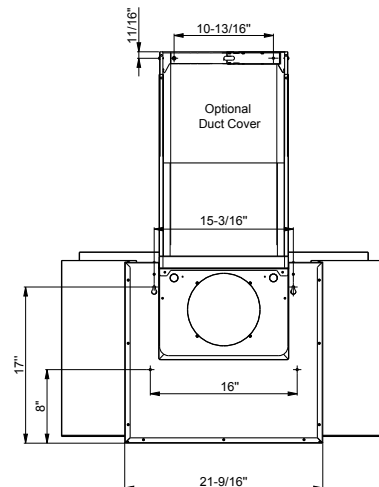
Shown with optional duct cover



FRONT



SIDE



BACK

MODEL

Matte Black	DAP-M90AMBX
Matte White	DAP-M90AMWX
Size	90cm (35-3/8")

BLOWER PERFORMANCE

Internal Blower (CBI-290C)*	200-290 CFM, 1.4-3 sones
Internal Blower (CBI-600A)*	240-600 CFM, 1.8-6 sones
In-Line Blower (PBN-1000A)*	500-1,000 CFM, sones NA
External Blower (CBE-1000)*	500-1,000 CFM, sones NA

FEATURES

Controls	Capacitive Touch
Speed Levels	3
Auto Delay-Off	Yes
CleanAir Function**	Yes
Lighting	LED, 5W x2
Tri-Level Lighting	Yes
Filters	Aluminum Mesh x2
Perimeter Aspiration System	Yes
Recirculating***	Yes
ADA Compliant	Yes, with remote option

DUCT SPECIFICATIONS

Vertical Single Internal Blower	6" Round
Vertical In-Line/External Blower	10" to 8" Round****
Horizontal Single Internal Blower	6" Round
Horizontal In-Line/External Blower	10" to 8" Round****

AC POWER

Hood w/ CBI-290C	120V, 60Hz, Max. 1A
Hood w/ CBI-600A	120V, 60Hz, Max. 3A
Hood w/ PBN-1000A	120V, 60Hz, Max. 5.4A
Hood w/ CBE-1000	120V, 60Hz, Max. 6.6A

OPTIONAL ACCESSORIES

Recirculating Kit	ZRC-00AP
Remote Control	14000010
Duct Cover - Matte Black	Z1C-00MEMB
Duct Cover - Stainless Steel	Z1C-00MESS
Make-Up Air Kit	MUA006A (600 CFM) MUA008A (1,000 CFM)

MOUNTING HEIGHT RANGE† 22" - 34"

WARRANTY 2 year parts, 1 year labor

HOOD HEIGHT CALCULATOR - With Optional Duct Cover

CEILING HEIGHT	8'	8.5'	9'	9.5'	10'	10.5'	11'	12'
MOUNTING HEIGHT†	NA	NA	22" - 22"	22" - 28"	24" - 34"	30" - 34"	NA	NA

*Blower sold separately.

**CleanAir turns your hood on once every four hours for 10 minutes on speed one.

***Not compatible with optional duct cover.

****10" round duct connects to external and in-line blower. Must transition from 10" to 8" before duct passes through ceiling. A 10" to 8" adapter is included with external and in-line blowers.

†Mounting height refers to distance between top of a 36" tall cooking surface and bottom of hood.

DID YOU KNOW?

The Perimeter Aspiration System moves airflow away from the central area of the hood and evenly distributes it through narrow openings around the perimeter of the hood. This ventilation method increases air velocity and improves the capture of cooking contaminants.