

24" STAINLESS SOLID DOOR UNDERCOUNTER FREEZER

TUF-24-R/L-SS-C

TUF-24-R-SS-C (Right hinged)

TUF-24-L-SS-C (Left hinged)

FEATURES

- Environmentally friendly R600a refrigerant.
- Industry exclusive, 300-series stainless steel interior and exterior.
- Zero-clearance hinging allows for integrated installation.
- Patented TruLumina® LED lighting gently illuminates your product and allows you to choose from 14 different color options with the push of a button.
- True Precision Control® with steel touch technology and readout provides digital accuracy.
- Temperature as low as -4°F.
- Lock standard on stainless steel models (SS).
- All undercounter models UL rated for outdoor use.
- Automatic defrost.

ORGANIZATION

- 2 adjustable/removable electro-polished stainless steel wire shelves.


BUILD YOUR TRUE

Customize your True with a variety of finish and hardware options at true-residential.com/custom.



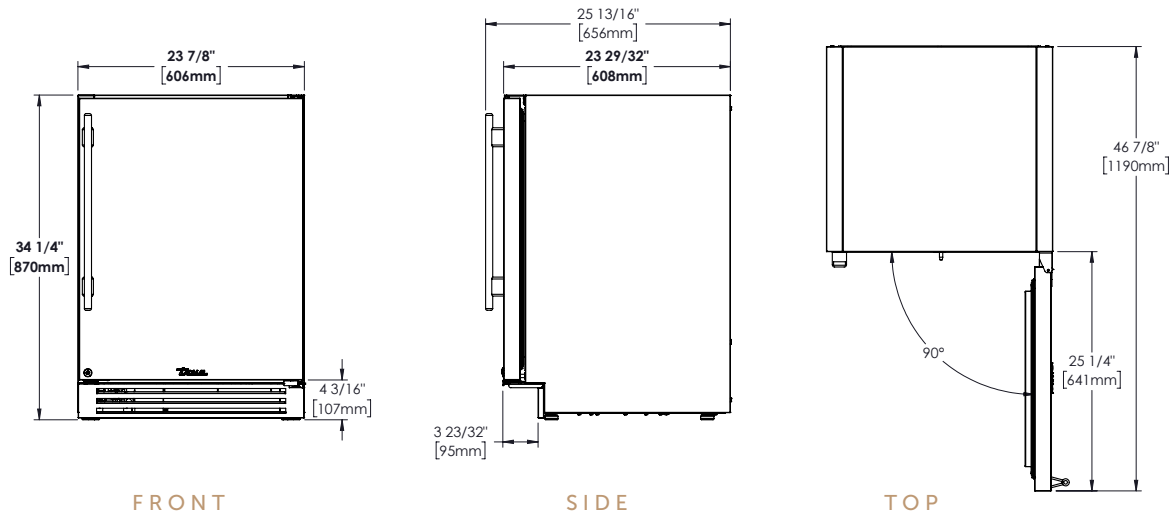
TUF-24-R-SS-C

SPECIFICATIONS

Dimensions (w x h x d)	23 ⁷ / ₈ " x 34 ¹ / ₄ " x 23 ⁷ / ₈ "
Cutout Dimensions (w x h x d)	24" x 34 ¹ / ₂ " x 24"
Capacity (cu. ft.)	4.2
Temperature Range	-4°F – 4°F
Weight (lbs.)	185
Voltage	115/60/1  115/60/1 NEMA-5-15R
Amps	1.8
Annual Energy Consumption (kwh)	385
Power Cord Length (ft.)	8
Energy Star Rated	Yes

24" STAINLESS SOLID DOOR UNDERCOUNTER FREEZER

TUF-24-R/L-SS-C



OPENING DIMENSIONS



MODEL OPTIONS

MODEL	FINISH
TUF-24-R-SS-C	Stainless solid door right-hinged
TUF-24-L-SS-C	Stainless solid door left-hinged

ACCESSORIES (OPTIONAL)

Anti-condensation pads

WARRANTY

3 year full (parts & labor)
 6 year sealed system (parts & labor)
 7–12 year (parts only – sealed system on registered products)