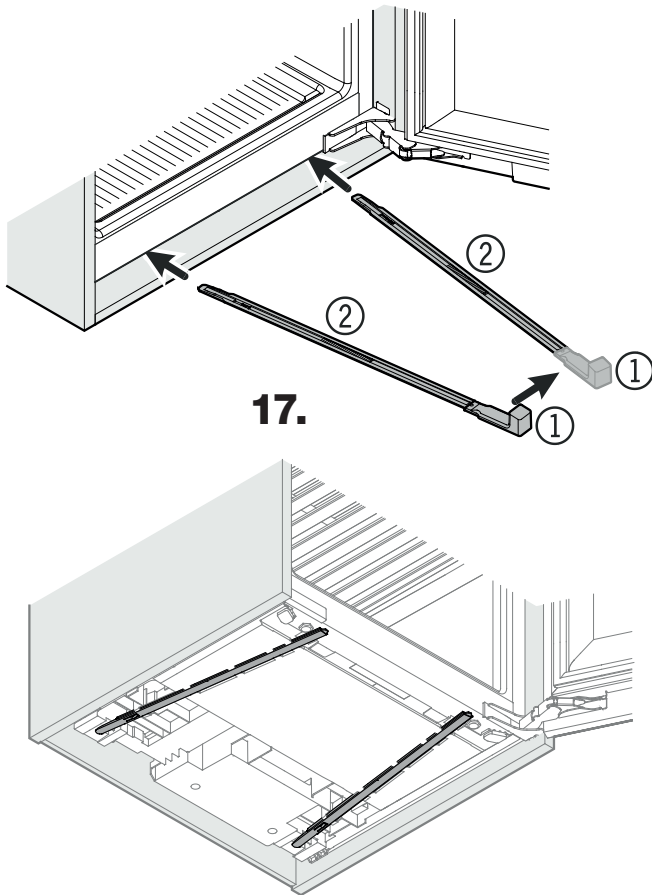


CHANGING OVER DOOR HINGES

17. Stabilize the appliance at the back at the bottom:

Fit the handle ① to the stabilizing rail ② and slide the stabilizing rail into the floor of the appliance.

Remove the handle and repeat this procedure with the second stabilizing rail.



Check that the appliance is secure in the kitchen cabinet and that the door closes properly.

Installation is now complete.

Changing Over Door Hinges

Door hinges should only be changed by a trained expert.

Changing the door hinges must be done by two people.

WARNING!

High door weight.

Danger of injury and damage to property.

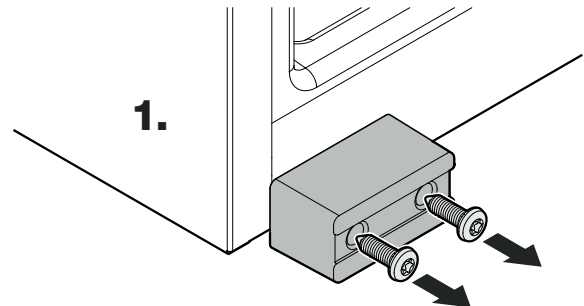
Only complete the modification work if you can lift a weight of 44 lbs (20 kg).

WARNING!

Risk of injury due to the door dropping out!

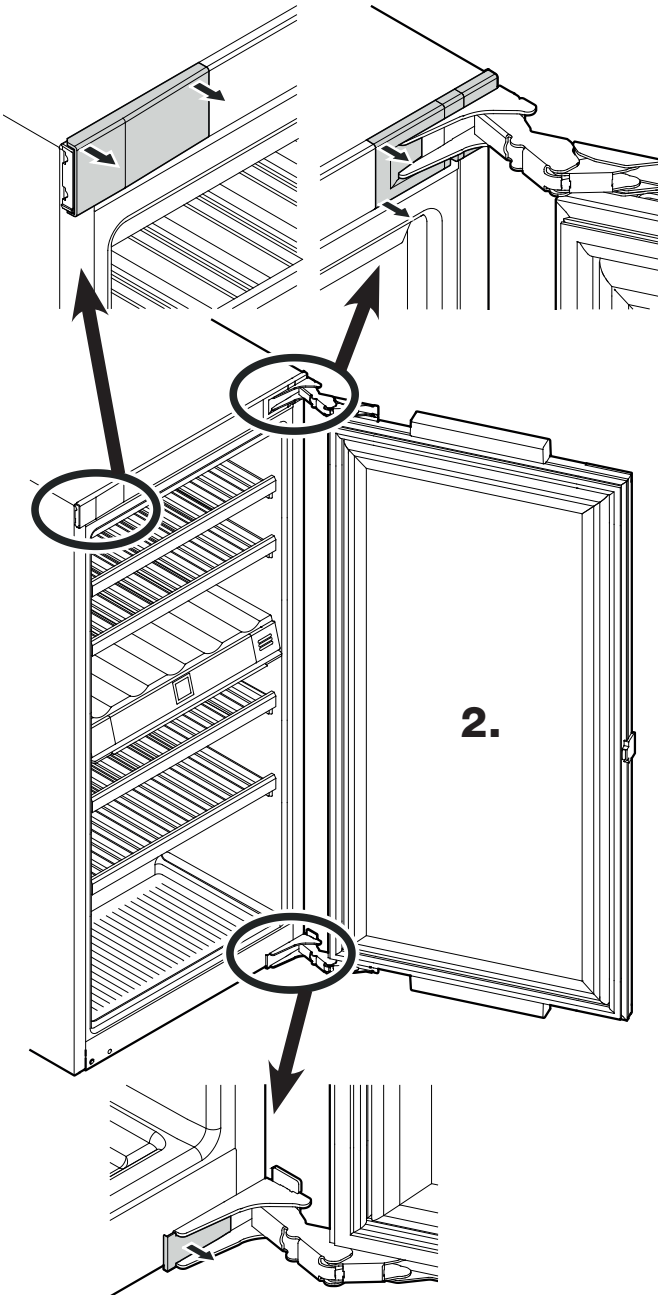
If the fastening parts are not screwed into place firmly enough, the door may drop out. This may lead to severe injuries. What is more, the door may not close and therefore the appliance may fail to cool properly.

1. Remove the transportation safety component.



CHANGING OVER DOOR HINGES

2. Remove covers.



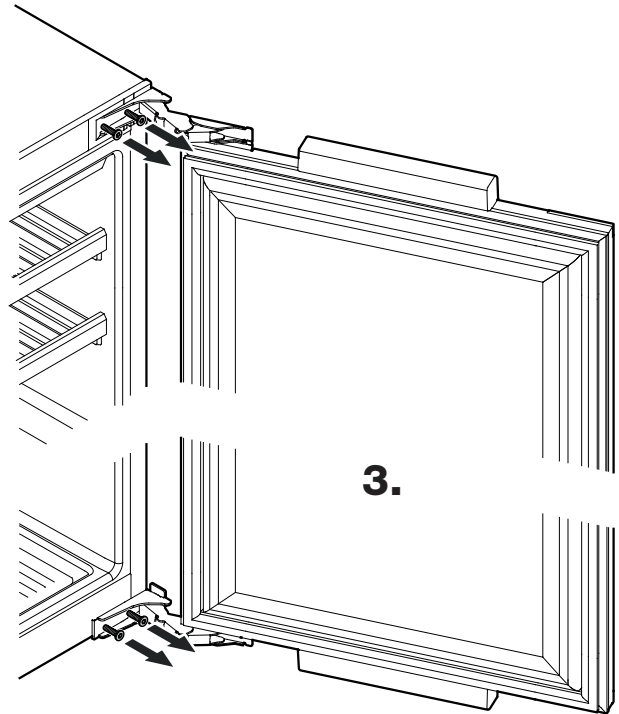
3. Remove the door.

The door must now be held secure by somebody.

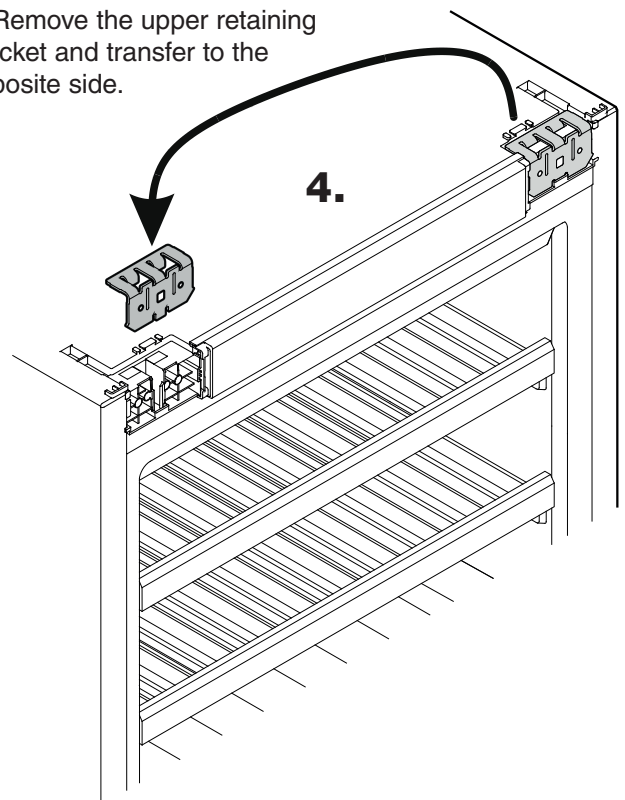
CAUTION!

Risk of injury if hinges fold!

- Leave hinges open.

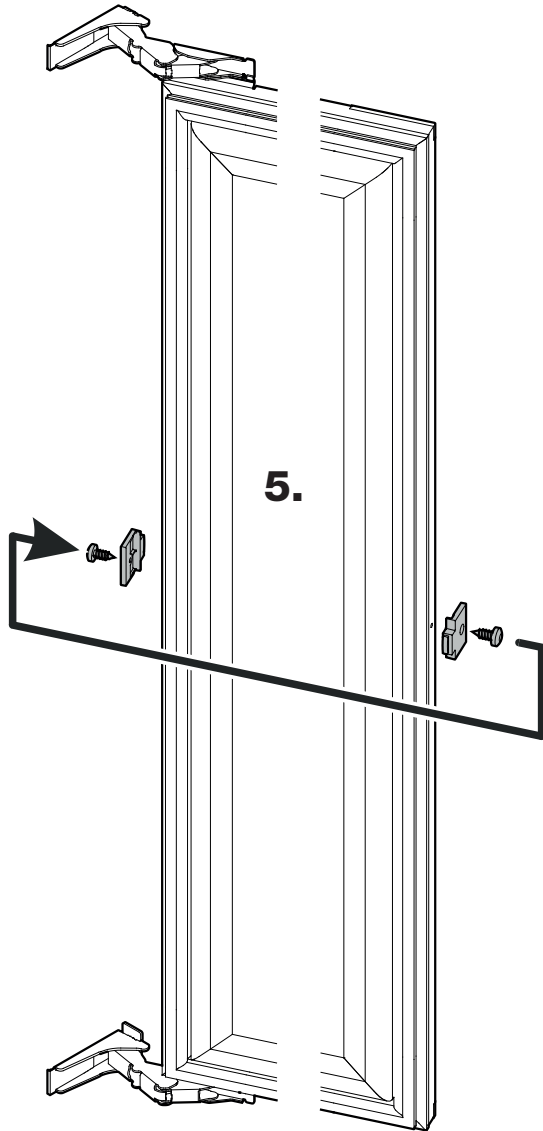


4. Remove the upper retaining bracket and transfer to the opposite side.



CHANGING OVER DOOR HINGES

5. Transfer the stop to the opposite side.



6. Unscrew hinges and covers and re-fit on the opposite side at diagonals to the original position.

