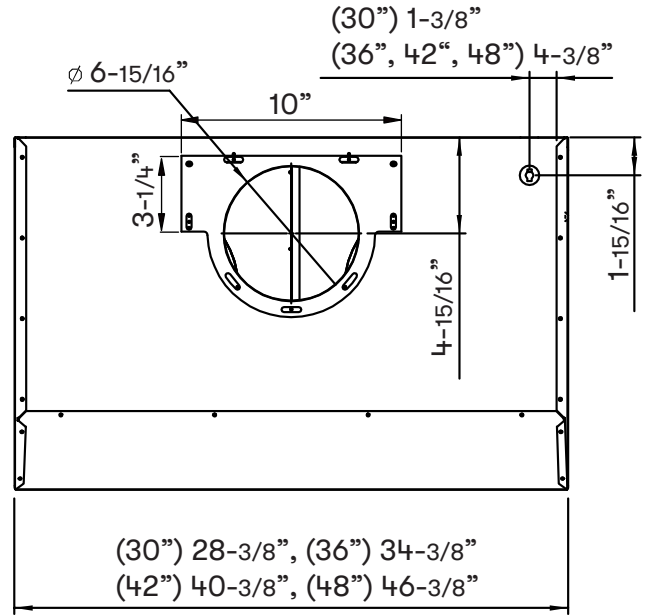
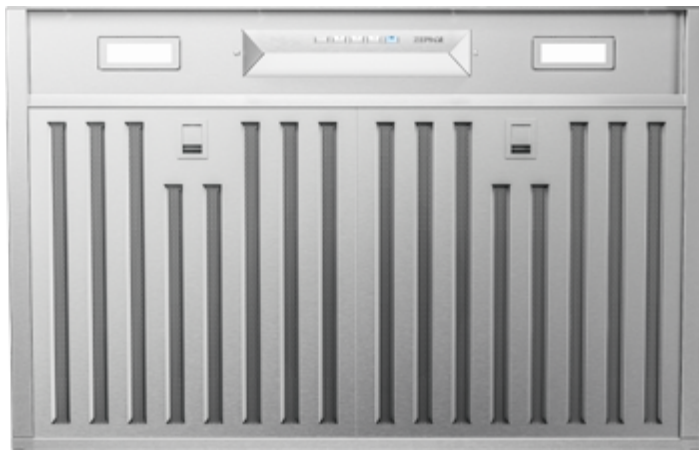
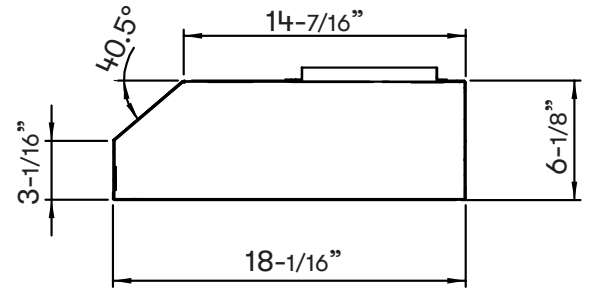


ACT™

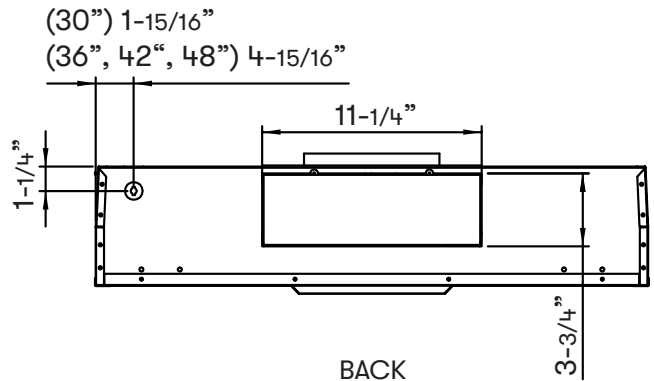
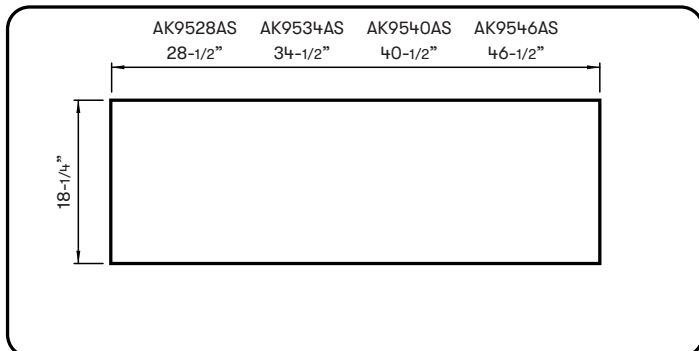
Min. - Max. CFM	INTERNAL BLOWER STANDARD	INTERNAL BLOWER with ACT™ AIRFLOW CONTROL TECHNOLOGY™*	
		290 - 600	290 - 390
Min. - Max. Sones	1.5 - 6	*AIRFLOW CONTROL TECHNOLOGY™ (ACT™) is an exclusive feature built into specific Zephyr hoods which can limit the maximum blower CFM to meet local code requirements.	



TOP



SIDE



BACK

Cabinet Bottom Cut-Out Size (W x D): 28-1/2" x 18-1/4" (AK9528AS), 34-1/2" x 18-1/4" (AK9534AS), 40-1/2" x 18-1/4" (AK9540AS), 46-1/2" x 18-1/4" (AK9546AS)

MODEL	AK9528AS	AK9534AS	AK9540AS	AK9546AS
Stainless Steel Size	30" (28-3/8")	36" (34-3/8")	42" (40-3/8")	48" (46-3/8")
Blower CFM (Min. - Max.)	290 - 600	290 - 600	290 - 600	290 - 600
Sones (Min. - Max.)	1.5 - 6	1.5 - 6	1.5 - 6	1.5 - 6
ACT 390 CFM (Min. - Max.)	290 - 390	290 - 390	290 - 390	290 - 390
ACT 290 CFM (Min. - Max.)	290 - 290	290 - 290	290 - 290	290 - 290
FEATURES				
ACT™ Technology	390, 290	390, 290	390, 290	390, 290
Controls	Electronic Touch	Electronic Touch	Electronic Touch	Electronic Touch
Speed Levels	3*	3*	3*	3*
Auto Delay-Off	Yes	Yes	Yes	Yes
Lighting	LumiLight LED, 6W x2	LumiLight LED, 6W x2	LumiLight LED, 6W x2	LumiLight LED, 6W x2
Dual-Level Lighting	Yes	Yes	Yes	Yes
Filters	Hybrid Baffle x2	Hybrid Baffle x2	Hybrid Baffle x2	Hybrid Baffle x3
Recirculating Option	Yes	Yes	Yes	Yes
DUCT SPECIFICATIONS				
Vertical Internal Blower	7" Round, 3-1/4" x 10"	7" Round, 3-1/4" x 10"	7" Round, 3-1/4" x 10"	7" Round, 3-1/4" x 10"
Horizontal Internal Blower	3-1/4" x 10"	3-1/4" x 10"	3-1/4" x 10"	3-1/4" x 10"
AC POWER	120V, 60Hz at Max. 4A	120V, 60Hz at Max. 4A	120V, 60Hz at Max. 4A	120V, 60Hz at Max. 4A
OPTIONAL ACCESSORIES				
Recirculating Kit	ZRC-9100A	ZRC-9100A	ZRC-9100A	ZRC-9100A
Make-Up Air Kit	MUA006A	MUA006A	MUA006A	MUA006A
Damper, 7" Round	AK00067	AK00067	AK00067	AK00067
MOUNTING HEIGHT RANGE**	24" - 36"	24" - 36"	24" - 36"	24" - 36"
WARRANTY	3 years parts, 1 year labor			

*When ACT™ is enabled the maximum speed levels will change. ACT 390 = 2 speeds and ACT 290 = 1 speeds.

**Mounting height refers to distance between top of a 36" tall cooking surface and bottom of hood.

ACT™ Airflow Control Technology™ (ACT™) is an exclusive feature built into specific Zephyr hoods which can limit the maximum blower CFM to meet local code requirements.

Specifications subject to change, check zephyronline.com for up-to-date information.
Zephyr Ventilation | 2277 Harbor Bay Parkway, Alameda, CA 94502 | 888.880.VENT

JAN22.0101

