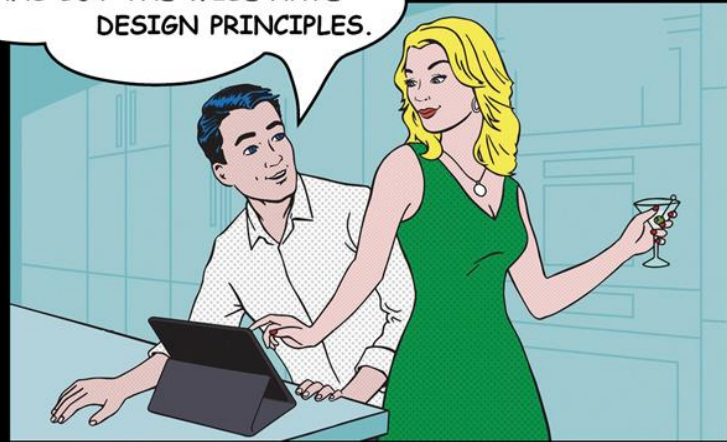


HELP! THE ONLY REASON I HAVE A KITCHEN IS THAT IT CAME WITH THE HOUSE.

THE INTELLIGENT HAVE PLANS BUT THE WISE HAVE DESIGN PRINCIPLES.



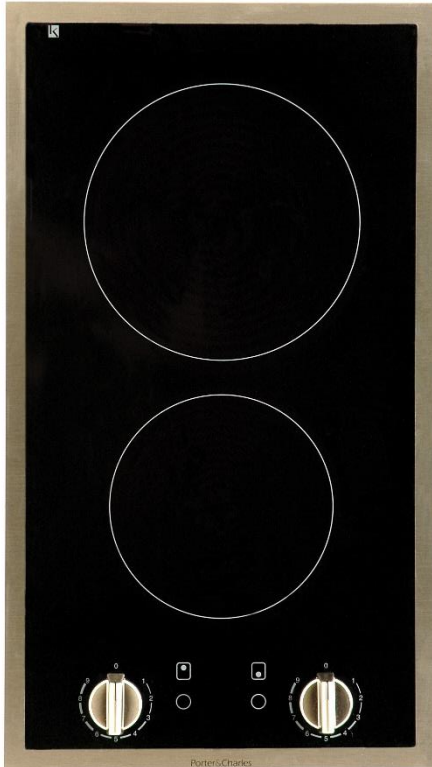
CC30S/K
12" Electric Cooktop

Porter & Charles
2016 SPECIFICATION SHEET

CC30S/K

12" Electric Cooktop

Made from a single sheet of high quality black glass, give your kitchen a streamlined look. The flexible cooking zones provide you with a variety of cooking needs. Chrome control knobs ensure precise heat selection and the highlight zone heats up in less than 5 seconds; saving both time and energy.



COOKTOP FEATURES

- 2 Hi-Lite zones with quick heating elements
- 9 power levels
- Black ceramic with stainless steel trim
- Chrome control knobs
- Child safety lock
- Residual heat indicator
- Shallow depth allows for easy install over drawers or an oven

COOKTOP DIMENSIONS

D: 20^{1/16}" • W: 11^{3/8}"

D: 510 mm • W: 290 mm

CUT-OUT DIMENSIONS

D: 19^{1/4}" • W: 10^{5/8}"

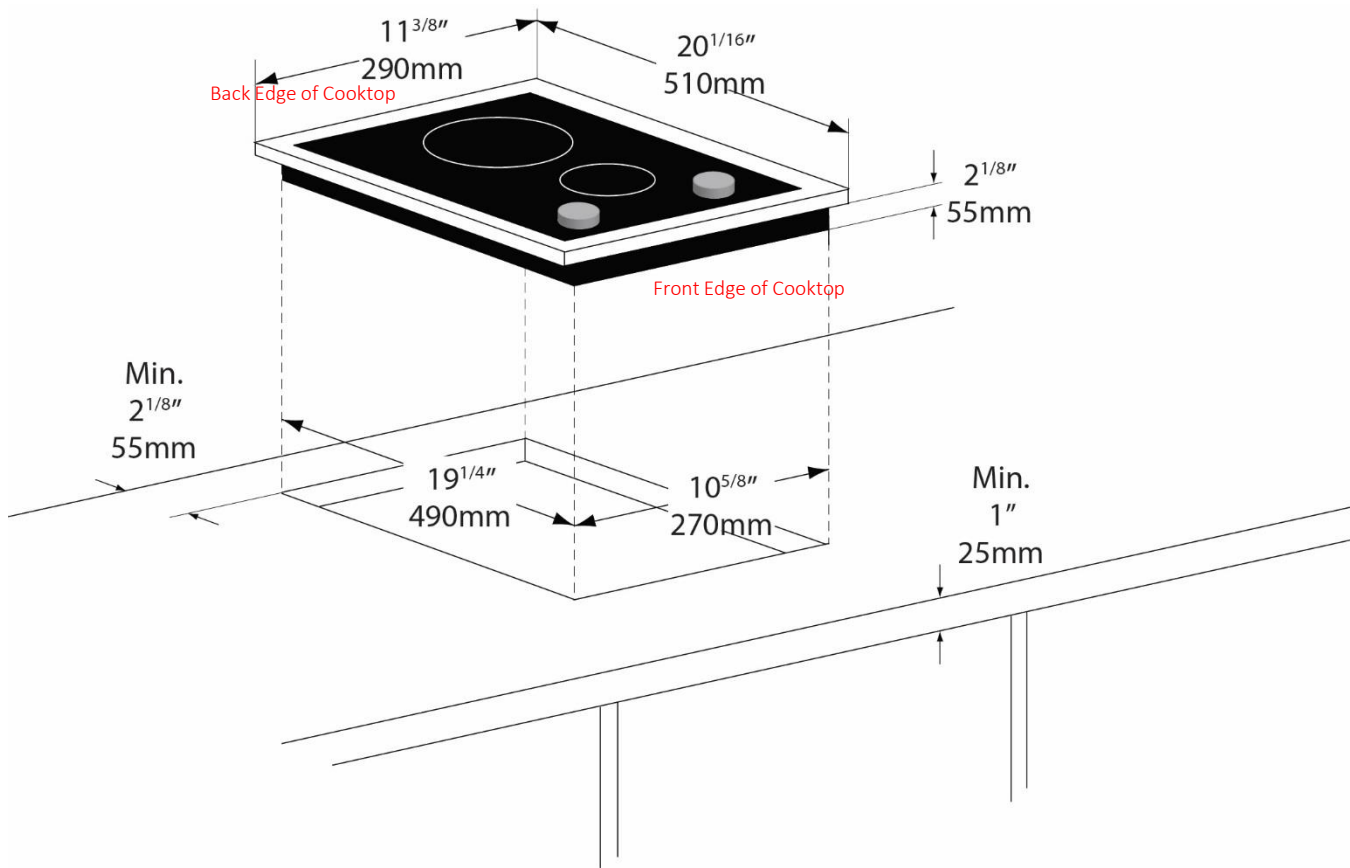
D: 490 mm • W: 270 mm

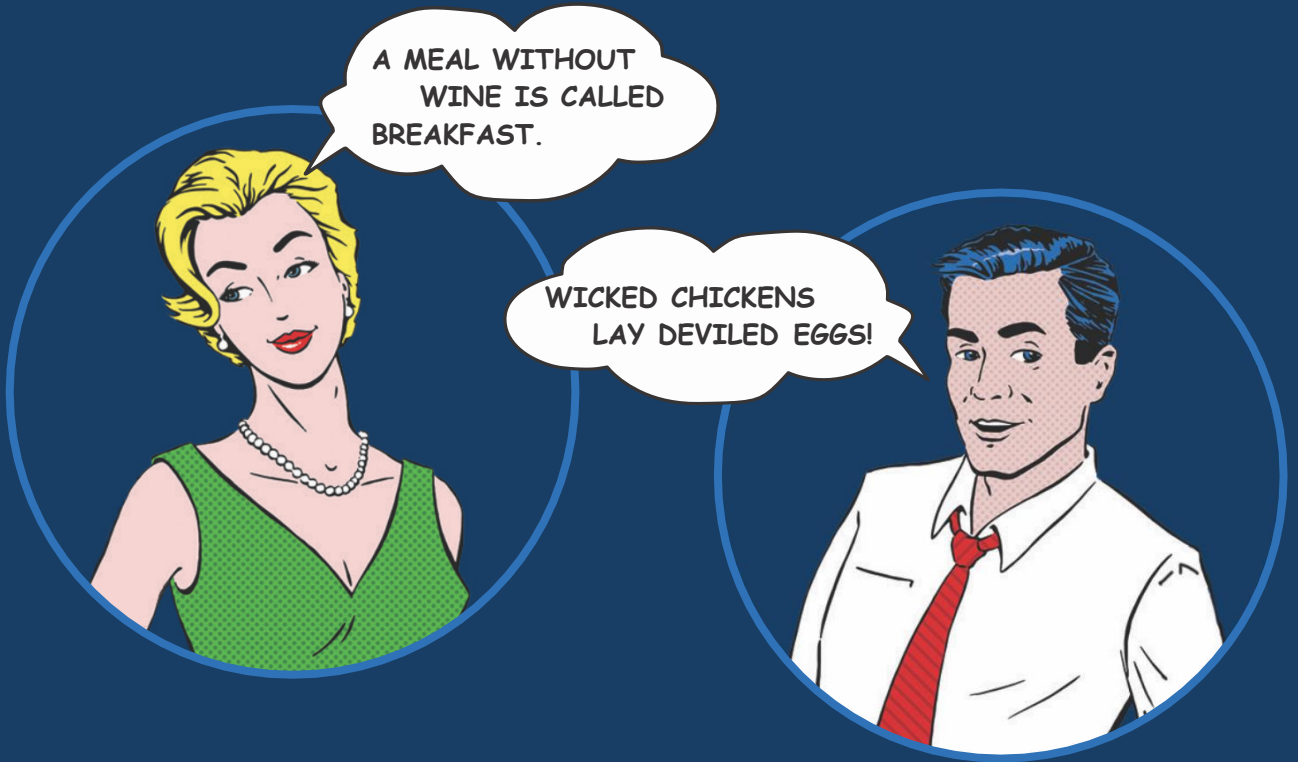
ELECTRICAL REQUIREMENTS

- 208/240 Volt, 60 Hz, 20AMP
- Supplied with a 5ft long electrical cable and must be hard wired

SPECIFICATIONS

CC30S/K





Porter & Charles Appliances are designed and manufactured to the highest standards. Each appliance is covered by a comprehensive 2-year parts and labour warranty.

Refer to product warranty policy for complete terms and conditions.

FOR PARTS AND SERVICE

Euro-Parts & Service

39822 Belgrave Road, Belgrave, ON. N0G 1E0
1 800 678 8352 (Canada) • 1 800 561 4614 (U.S.)

www.euro-parts.ca • parts@euro-parts.ca • service@euro-parts.ca

Porter & Charles appliances are imported and distributed in North America by Euro-Line Appliances Inc. For more information, please visit one of our showrooms or

www.euro-line-appliances.com / www.elawest.com

EURO-LINE APPLIANCES INC.

871 Cranberry Court
Oakville, ON L6L 6J7 Canada
905 829 3980
1 800 421 6332

marketing@euro-line-appliances.com

EURO-LINE APPLIANCES WEST INC.

2912 West 4th Avenue
Vancouver, BC V6K 1R2 Canada
604 235 3980
1 855 ELA WEST (352.9378)

info@elawest.com

