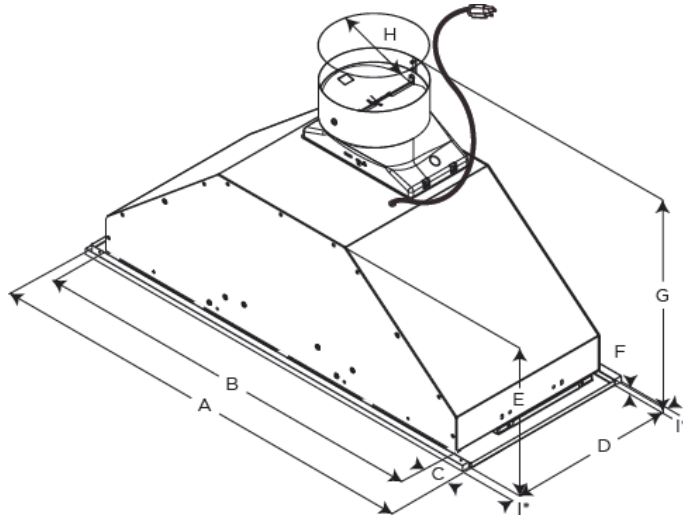


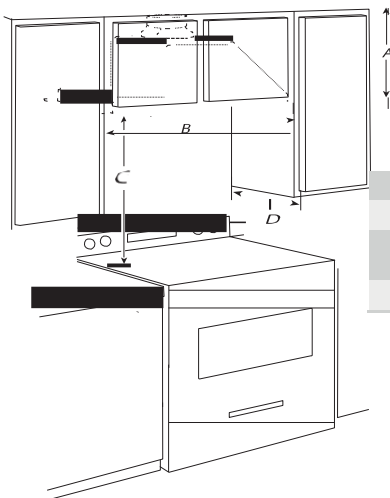
Selected Model	
Model number	EPR634SS
Exterior Appearance	
Stainless Steel grade	430
Dimensions	
Dimensions	34 1/4" (W) X 10 3/4" (D) X 14 9/16" (H)
Features	
Controls	Stainless Steel, Push-Button Controls
Illumination	2 2.5W Premium LED lamps, 1 intensity (bulbs included)
Blower Type	3-speed, 600 CFM
Blower Performance	Speed 1, 190 CFM, 2.1 Sones Speed 2, 350 CFM, 3.4 Sones Speed 3, 600 CFM, 6.0 Sones
Filter Type	2 Stainless Steel Baffle Filters
Ducting	Ducted or Recirculating Installation (Recirculating Kit Sold Separately)
Duct transition	6" Round with Back Draft Damper (top)
Special features	Hush Silence System
Electrical Requirements	
Electrical requirements	120V-60 HZ / 260 Watt at 4.6 Amps
Accessories (optional)	
Recirculating Kit	KIT02770
KIT02773	KIT02773 Hood liner (29" x 17 1/2"-20 1/2" x 4")
KIT02774	KIT02774 Hood liner (35" x 17 1/2"-20 1/2" x 4")
Warranty	
Complete 2 years warranty	Entire Appliance; In-Home; Parts & Labour

Dimensions



	Model	
	EPR628S1	EPR634SS
A	28 ¹ / ₄ " (71.8 cm)	34 ¹ / ₄ " (86.9 cm)
B	26" (66 cm)	
C	1 ⁹ / ₆₄ " (2.9 cm)	
D	10 ³ / ₄ " (27.3 cm)	
E	9 ¹⁷ / ₃₂ " (24.2 cm)	
F	0 ² / ₆₄ " (.85 cm)	
G	14 ⁹ / ₆ " (37 cm)	
H	6" (15.2 cm)	
I*	1/2" (127 cm)	

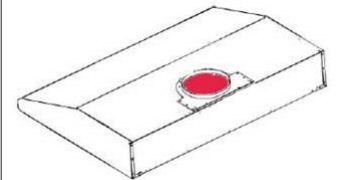
Installation



A	Minimum height of the cabinet	12"
B	Width of the opening of the cabinet	30"
C	Recommended Height between cooking surface and bottom of the hood	26" min. - 30" max
D	Cabinet Depth	12"

Duct transition

6" Round (Top)



The information contained herein is based on sources that we believe to be reliable, but is not guaranteed by us, may be incomplete or may change without notice