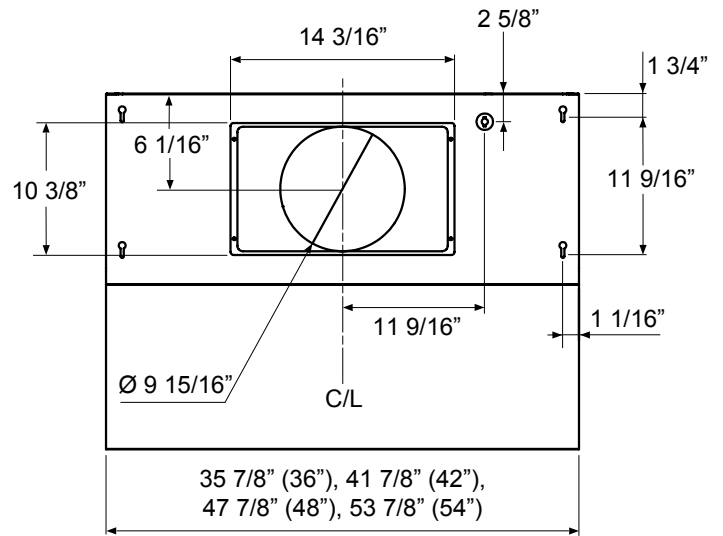




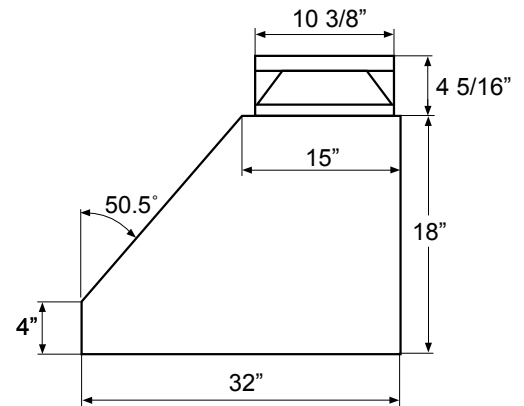
48" model shown with optional 12" duct cover



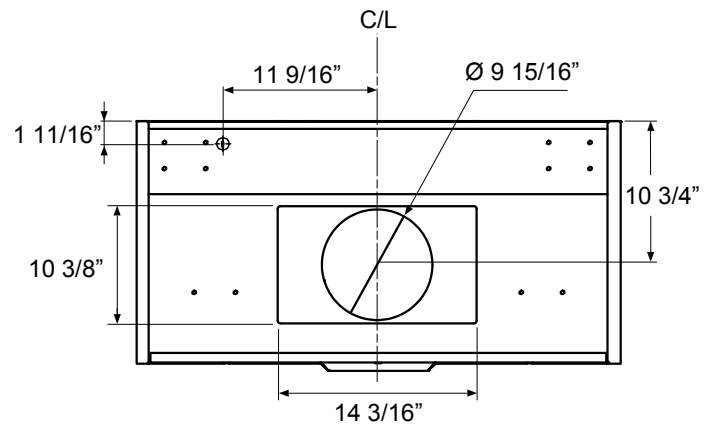
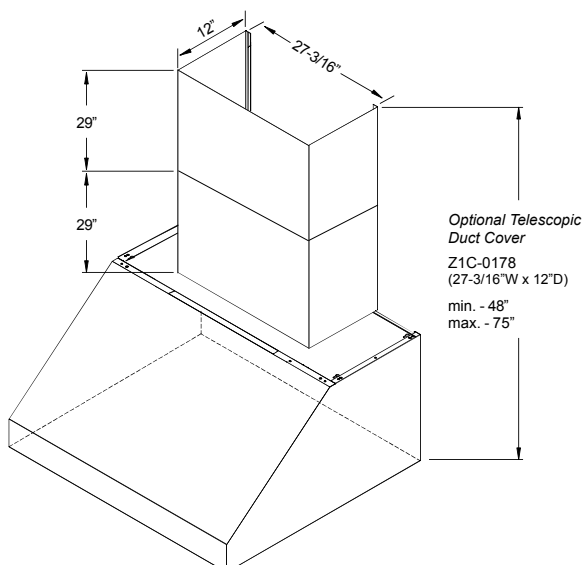
TOP



48" model shown with optional telescopic duct cover



SIDE



BACK

MODEL				
Stainless Steel	AK7836CS	AK7842CS	AK7848CS	AK7854CS
Size	36" (35-7/8")	42" (41-7/8")	48" (47-7/8")	54" (53-7/8")
BLOWER PERFORMANCE				
Blower CFM (Min. - Max.)	450 - 1,200	450 - 1,200	450 - 1,200	450 - 1,200
Sones (Min. - Max.)	3.5 - 9	3.5 - 9	3.5 - 9	3.5 - 9
FEATURES				
Controls	Metallic Knob	Metallic Knob	Metallic Knob	Metallic Knob
Speed Levels	3	3	3	3
Lighting	LumiLight LED, 6W x2	LumiLight LED, 6W x2	LumiLight LED, 6W x4	LumiLight LED, 6W x4
Dual-Level Lighting	Yes	Yes	Yes	Yes
Filters	Pro Baffle x3	Pro Baffle x3	Pro Baffle x4	Pro Baffle x4
Recirculating Option	No	No	No	No
High Quality Stainless Steel	304S	304S	304S	304S
DUCT SPECIFICATIONS				
Vertical Internal Blower	10" Round	10" Round	10" Round	10" Round
Horizontal Internal Blower	10" Round	10" Round	10" Round	10" Round
AC POWER	120V, 60Hz at Max. 9A	120V, 60Hz at Max. 9A	120V, 60Hz at Max. 9A	120V, 60Hz at Max. 9A
OPTIONAL ACCESSORIES				
12" Duct Cover	AK0736BS	AK0742BS	AK0748BS	AK0754BS
Duct Cover (10' - 12' ceilings)	Z1C-0178	Z1C-0178	Z1C-0178	Z1C-0178
MOUNTING HEIGHT RANGE*	30" - 36"	30" - 36"	30" - 36"	30" - 36"
WARRANTY	3 years parts, 1 year labor	3 years parts, 1 year labor	3 years parts, 1 year labor	3 years parts, 1 year labor

*Mounting height refers to distance between top of a 36" tall cooking surface and bottom of hood.