

# BUILT-IN FRIDGE 36"

36" STAINLESS STEEL EXTERIOR BUILT-IN FRIDGE

CODE ID

**F7SRC36S1-R** ( RIGHT HINGE )

CODE ID

**F7SRC36S1-L** ( LEFT HINGE )



RIGHT HINGE



LEFT HINGE



Total No Frost



LED lighting



Integrated Installation



Holiday Mode



Sabbath Mode

## Features

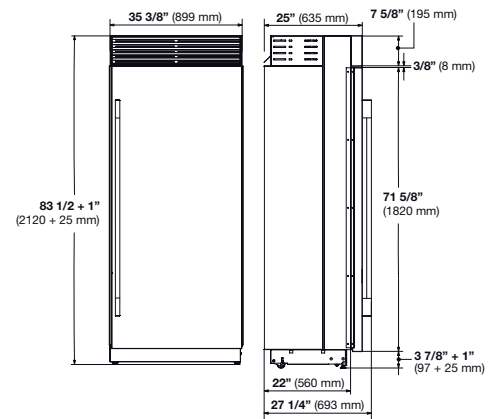
Our stainless column refrigerators are as beautiful as they are Functional. With an elegant 304 stainless clad door and matching pro handle these columns match perfectly with our Fulgor Milano stainless cooking products and feature a brilliant white aluminum interior with brushed aluminum and stainless accents. Food preservation is the name of the game, by combining elegant design and commercial quality to ensure the highest performance preserving the organoleptic qualities of your precious ingredients. A dedicated compressor and evaporator provide consistent and precise temperature throughout.

## SPECIFICATIONS

Stainless Steel Exterior  
Microbeaded stainless steel crisper drawers with soft closing  
Height adjustable glass shelves  
Luminous white interior  
Multilevel LED lighting  
Professional handle kit included

# REFRIGERATION

## BUILT-IN FRIDGE COLUMN

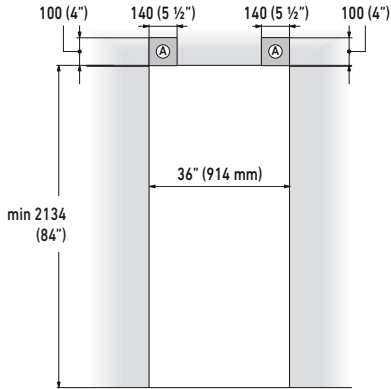


CODE ID		36" BUILT-IN FRIDGE F7SRC36S1-L (LEFT HINGE) F7SRC36S1-R (RIGHT HINGE)	
Finish	Stainless Steel Exterior		
<b>PERFORMANCES/CAPACITY</b>			
Annual Energy Usage	355 kWh/yr		
Interior capacity (cbft)	21.54		
<b>FEATURES</b>			
Professional handle kit	•		
Shelves	3		
Adjustable Door Bins	3		
Crisper Drawers	3		
LED lighting	•		
No Frost	•		
<b>DIMENSIONS/WEIGHT</b>			
Width in	36"	914 mm	
Height in	83 - 1/2"	2120 mm	
Depth without handle in	25"	635 mm	
Minimum niche height in	84 - 1/2"	2145 mm	
Door clearance in	58 1/4"	1480 mm	
Door opening angle	100°		
Net Weight	417 lbs	189 kg	
<b>POWER / RATINGS (115 V, 60 HZ)</b>			
Watts / Amps	218W - 2A		
Power Cable	Nema 5-15P		
<b>INSTRUCTIONS FOR USE</b>			
Use & Care Manual / Installation Manual	English / French / Spanish		

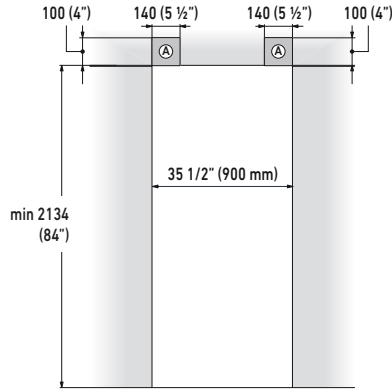
# BUILT-IN FRIDGE 36"

## NICHE SPECIFICATIONS AND DIMENSIONS

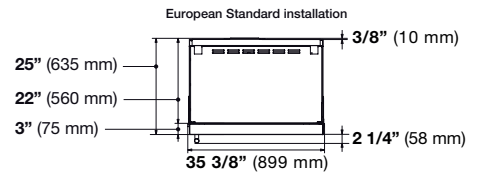
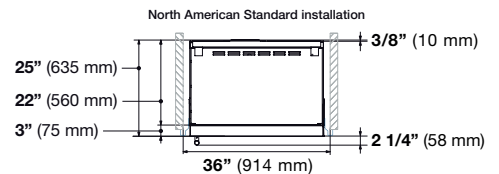
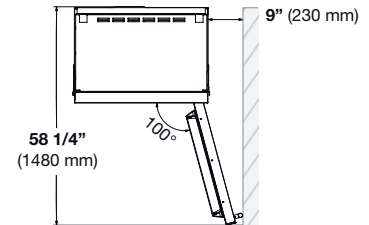
### NA STANDARD CUTOUT



### EUROPEAN STANDARD CUTOUT



### DOOR SWING CLEARANCE



When installing our top compressor models in a standard NA cut out it is recommended to use the J-profile trim kit to close the lateral gap of the appliance, alternatively use the standard plastic mounting clips when installing unit into Euro width cabinet.

Installing in the unit in a standard North American "cutout" without the J-profile trim kit, will result in a larger gap along the cabinet opening.



When installing our top compressor models in a new construction, it is recommended to use the European "cutout" dimensions to achieve a minimal gap on the lateral sides and avoid the need to use the J-profile trim kit.

Installing in the unit in a standard North American "cutout" without the J-profile trim kit, will result in a larger gap along the cabinet opening.

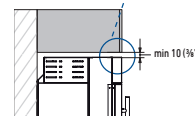
### TECHNICAL DATA

(A) Niche Width	see above
(B) Unit Width	35 3/8" (899 mm)
(C) Unit Width with lateral frames	36" (914 mm)



If the units are to be installed inside a cutout or within an enclosed structure, it is necessary to design a ventilation shaft at the back of the cutout to assure proper ventilation at the back of the unit.

Cross-sectional chimney ventilation area should equal 200cm<sup>2</sup> (31in<sup>2</sup>).



### ELECTRICAL AND WATER CONNECTIONS

