

BlueStar has combined professional level features and handcrafted quality into the Culinary Series. From searing 15,000 BTU open burners to the extra-large convection oven, the Culinary Series is the perfect addition to any pro-style kitchen.

PRODUCT FEATURES

- Restaurant-style 15,000 BTU open burners
- Precise 130° simmer burner
- Integrated wok cooking - no wok ring needed
- Oversized convection oven accommodates full size 18" x 26" baking sheet
- 1850° infrared broiler
- Available in 1,000+ colors and 10 metal trim finishes
- Handcrafted in Pennsylvania since 1880
- Includes standard island trim backguard
- Available in Natural or LP gas

SPECIFICATIONS

Range Dimensions: 29.875"W x 24"D x 36.75"H
 Oven Interior: 26.438"W x 20"D x 15"H
 Top Burner Rating: 15,000 BTUs
 Simmer Burner Rating: 1,300 BTUs
 Oven Burner Rating: 30,000 BTUs
 Infrared Broiler Rating: 15,000 BTUs
 Electrical Requirements: 120V, 60Hz, 15 AMPs, 1 PH
 (Unit must be on a Non-GFI, dedicated outlet)
 Operating Gas Pressure: NAT: 5.0" WC, LP: 10.0" WC
 Gas Line: 1/2"

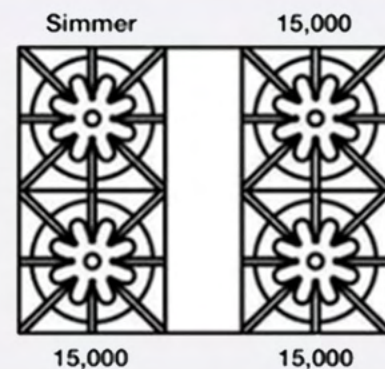


MODEL CONFIGURATION

4 Burners

RCS304BV2

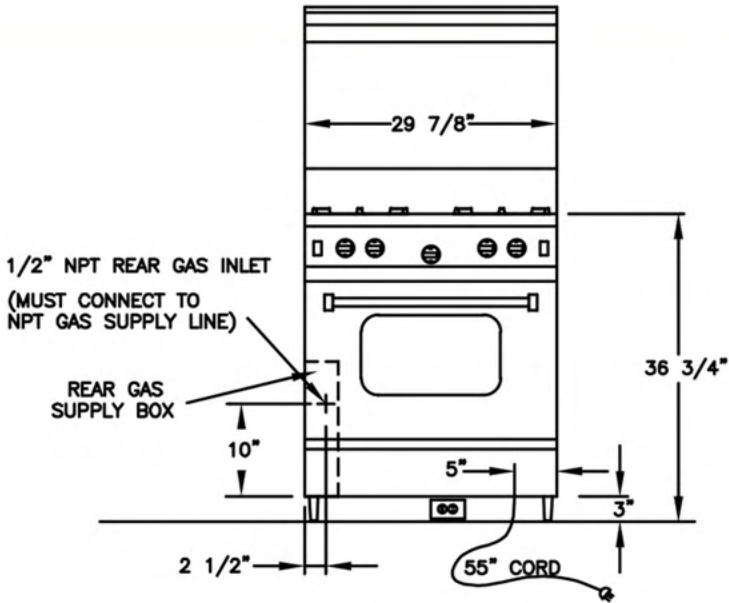
BURNER CONFIGURATION



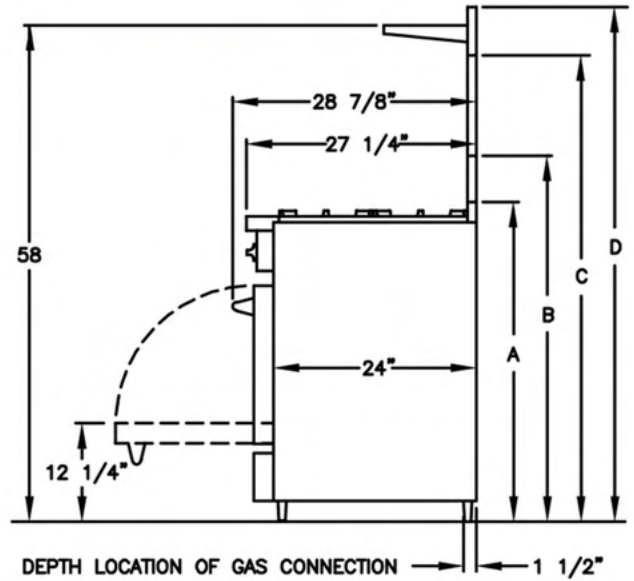
ADDITIONAL CUSTOMIZATION OPTIONS

- 1,000+ Colors & finishes
- Knob colors
- Trim options

*All specifications subject to change without notice.
 Visit www.bluestarcooking.com prior to site preparation
 or installation.*



ELECTRICAL CORD LOCATED IN BACK OF UNIT
LOCATION OF ELECTRICAL OUTLET MUST NOT BE HIGHER THAN 3" FROM FLOOR IF LOCATED BEHIND THE UNIT OR CAN BE LOCATED IN AN ADJOINING CABINET.



A - ISLAND TRIM HEIGHT - 38 1/4"
B - 6" STANDARD BACKGUARD HEIGHT - 43 1/4"
C - 17" BACKGUARD HEIGHT - 54 1/4"
D - HIGH SHELF BACKGUARD HEIGHT - 61"

SPECIFICATIONS:

- OVEN INTERIOR: ----- 26.25"W x 20"D x 15"H
- SIMMER BURNER RATING ----- 9,000 BTU, 130°F
- TOP BURNER RATING ----- 15,000 BTU
- INFRARED BROILER RATING ----- 15,000 BTU
- OVEN BURNER RATING ----- 30,000 BTU
- ELECTRICAL REQUIREMENTS ----- 120V, 60Hz, 15 AMPS, 1 PH
(UNIT MUST BE ON A NON-GFI, DEDICATED OUTLET)
- OPERATING GAS PRESSURE ----- NAT: 5.0" WC
LP: 10.0" WC
- INSTALLATION CLEARANCE ----- 0" SIDE CABINET
0" BACK WALL

