

PRODUCT FEATURES

- Exclusive X-8™ star-shaped burner offers unmatched versatility and control on EVERY burner
- Go from extra-high sear - up to 25,000 BTUs - to an ultra-low warm of 500 BTUs on ALL burners
- Oversized True Convection oven offers even and consistent multi-rack cooking
- Fits commercial-size 18" x 26" baking sheets
- 8 cooking modes including Bake, Convection Bake, Roast, Convection Roast, Convection, Broil, Proof and Dehydrate, plus Sabbath setting and temperature probe
- Intuitive color 7" touchscreen control with Quick Start™ cooking in 3 easy touches
- Environmentally friendly, gentle 90-minute express cleaning mode + ContinuClean™ technology
- Unmatched customization - choose from 1,000+ colors and 10 metal trim finishes
- Handcrafted in Pennsylvania since 1880

SPECIFICATIONS

Overall Dimensions: 47 7/8"W x 26 1/2"D x 36"H
 Large Oven Interior: 26 1/4"W x 20"D x 16 5/8"H
 Bake Element Rating: 3500W (2500W Inner/1000W Outer)
 Broiler Rating: 5,000W Total (2500W Inner / 2500W Outer)
 Convection Element Rating: 2800W
 Small Oven Interior: 14 1/8"W x 20"D x 16 5/8"H
 Small Oven Bake Element Rating: 2100W
 Small Oven Convection Element Rating: 2800W
 Top Burner Rating (Front): Nat: 25,000 | LP: 24,000 BTUs
 Top Burner Rating (Rear): 18,000 BTUs
 Simmer Burner Rating: 500 BTUs
 Electrical Requirements: 240VAC, 60Hz, 50 AMPS, 1PH
 Unit must be on a Non-GFI, dedicated outlet
 Operating Gas Pressure: NAT 5" WC | LP 10" WC
 Gas Line Size: 3/4"
 Door Clearance: 20" from front of door

The next revolution in home cooking has arrived! Introducing the new BlueStar® Dual Fuel Range Series offering professional grade performance, handcrafted quality, stunning design, and unmatched customization options.



MODEL CONFIGURATION

8 Burners	BSD488B (US)
	BSD488BW (CN)

BURNER CONFIGURATION

18,000	18,000	18,000	18,000
25,000*	25,000*	25,000*	25,000*

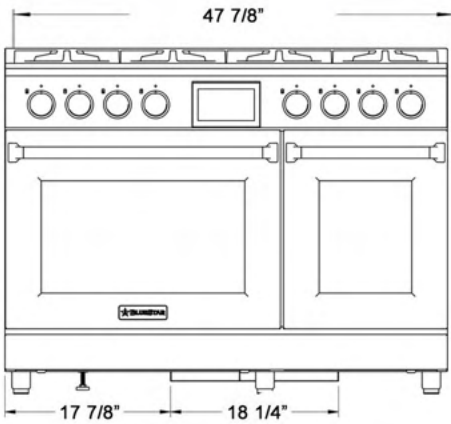
(*) 4% less output when configured for LP/Propane

ADDITIONAL CUSTOMIZATION OPTIONS

- 1,000+ Colors & Finishes
- 10 metal trim finishes
- Painted knobs in over 190 color options

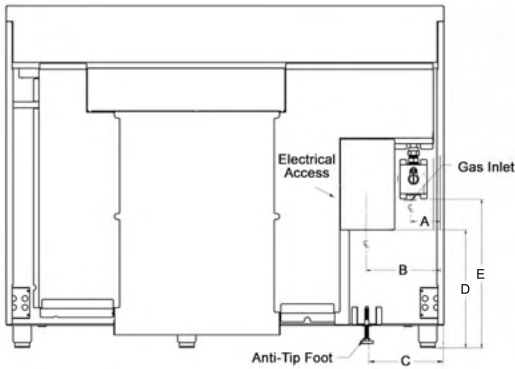
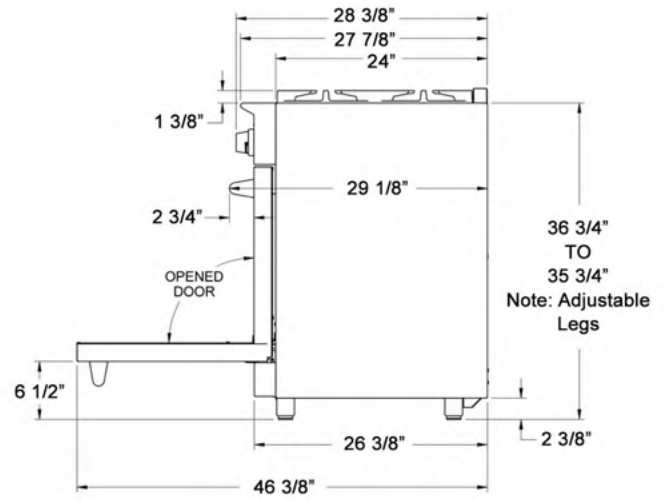
All specifications subject to change with out notice

FRONT VIEW



Duct Location. Do Not Crush When Moving

SIDE VIEW

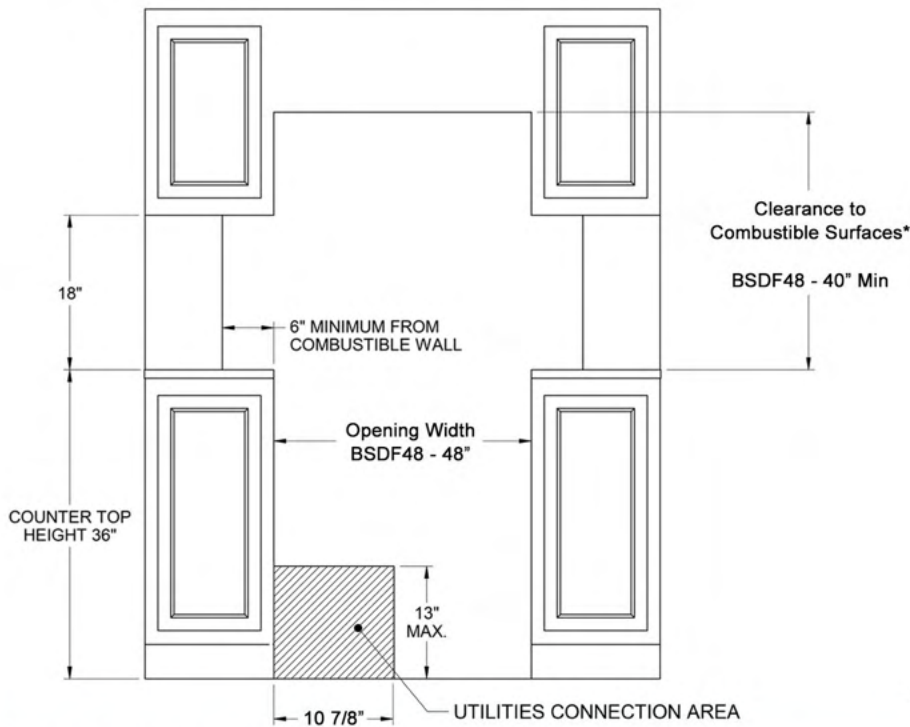


Gas & Electrical Dimensions Cover				
DIMENSION "A"	DIMENSION "B"	DIMENSION "C"	DIMENSION "D"	DIMENSION "E"
3 5/16"	8 3/8"	8 7/16"	13 5/8"	17 1/8"

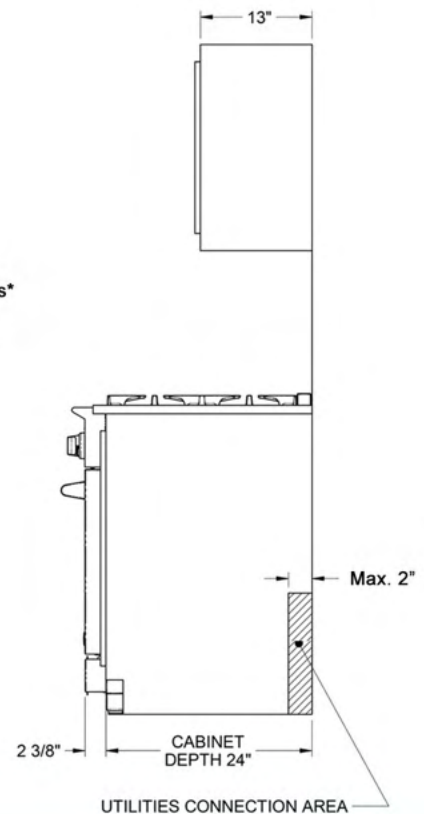
BACK VIEW

FRONT VIEW

Ventilation hood recommended for all installations at 30" - 36" above cooktop surface



SIDE VIEW



* For non-ventilation installations clearance to combustable surfaces BSAF48 is 40" min