

NUVOLA 140

Version

FDNUVMTR600 - Motor 600
CFM for North America

Collection

Design+

EAN code

8034122345017

FEATURES

Scotch brite stainless steel (AISI 304)
Tempered glass, extra light, painted
Perimeter suction
Electronic control
Fluorescent lighting
Metallic grease filter, removable and washable
Remote control included
Dynamic LED Light (2700K - 5600K)
Motor sold separately

OPTIONAL ACCESSORIES

FDNUVMTR600

FDNUVMTR600 - Motor 600
CFM for North America

KACL.815

Protective cleaning cloths for stainless steel (box 10 pcs)

105080053

Remote control

TECHNICAL FEATURES

Installation type

Ceiling

Dimensions

54 / 140 cm

Finish

Scotch brite stainless steel (AISI 304)

Tempered extra light white glass finishing

Motor

600 CFM

Type of control

Electronic control

Speed settings

4

Lighting

Led

Filter

4 x Metallic filter "Base" - 290x267 mm



Photograph is for information purposes only
May not correspond to the selected version

PACKAGING:WEIGHTS AND VOLUMES

NUVOLA 140 Gross weight

89 lbs

Net weight

78 lbs

Volumes

8 ft³

Packaging size

Length

58 in

Height

9 in

Depth

29 in

REMOTE MOTOR

FDNUVMTR600 - Motor 600

CFM for North America

Gross weight

23 lbs

Net weight

20 lbs

Volumes

3 ft³

Packaging size

Length

18 in

Height

14 in

Depth

16 in

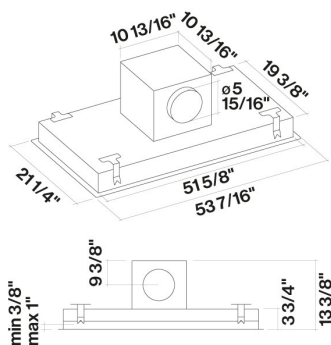
CONSUMPTION AND CONNECTION FEATURES

Plug type

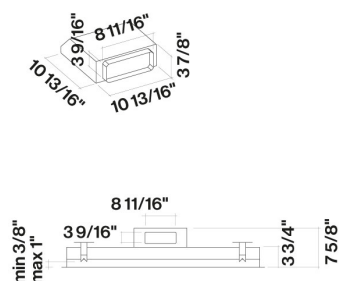
Hood comes standard with Nema

5-15P power cord

ENERGY CLASS



Hood with motor



Side view with junction (optional)