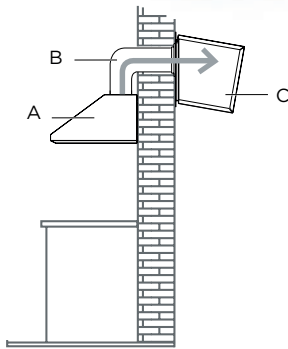
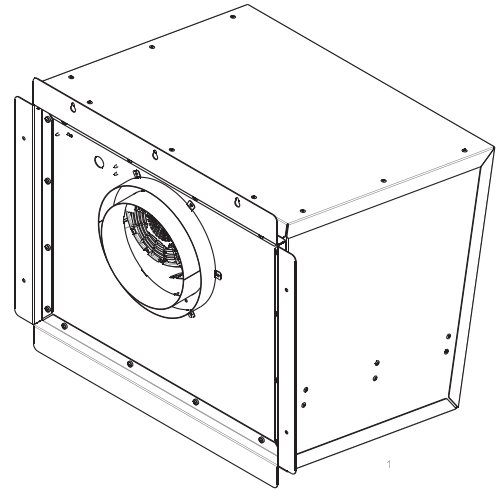
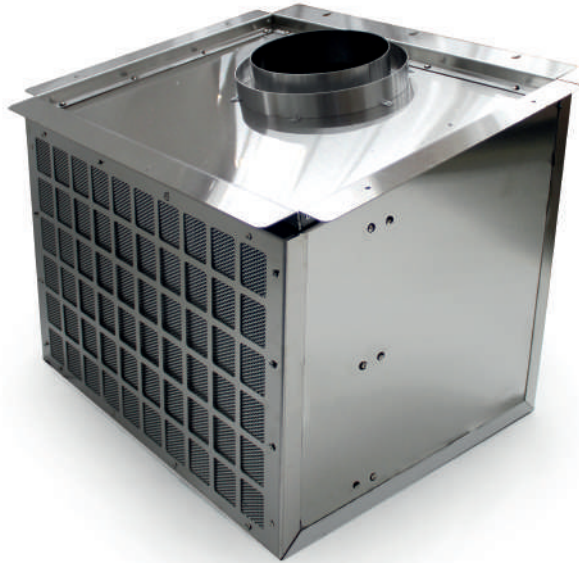
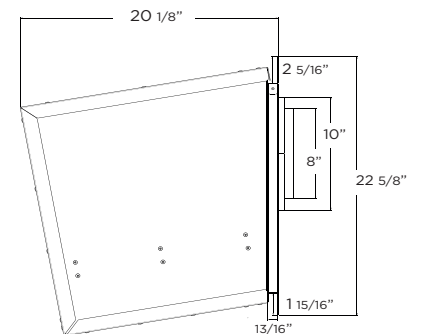
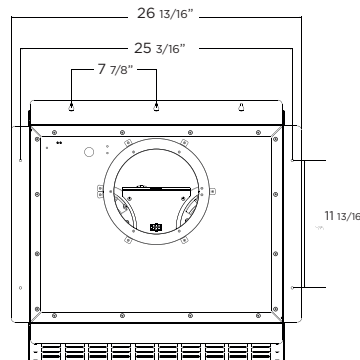
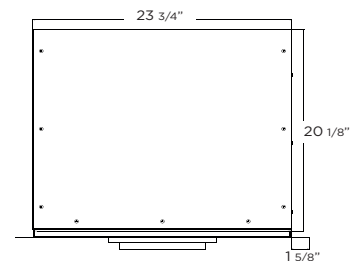


EXTERNAL BLOWER KITS



A. Range Hood B. Vent Duct C. External Blower Kit

*External blower can be mounted on the roof



	External Blower Kit	External Blower Shell Kit
Model:	KIT0153054	KIT0179547
Dimensions:	23 3/4" W x 20 1/8" D x 22 5/8" H	
Blower Type:**	1200 CFM (Blower Included)	For use only with 1200 CFM (Blower Not included)
Electrical:	120 V AC, 60 Hz. 15 or 20 A Branch Circuit	n/a
Wiring:	21 5/16" motor connection wiring	n/a
Finish:	Grade 304 Stainless Steel	
Duct Transition:	8" or 10" Round Duct Transition	
Parts needed:	Ducts 8" or 10" (not included)	
Apt for model:	Arezzo, Calabria, Leone, Leone IS, Trento, Scanno, Cervinia, Vavano, Vavano IS	Arezzo, Calabria, Leone, Leone IS, Trento, Scanno
WARRANTY:***	Two (2) Years Parts & In-Home Labor. Earn an additional One (1) Year of Parts & In-Home Labor by registering on elica.com	

* The product images shown are for illustration purposes only and may not be an exact representation of the product.

*** For valid warranty extension, register within 3 months from purchase. For USA & Canada Users Only.