

SHARP

Simply Better Living

Induction Cooktop

SCH2443GB**7500
WATTS****24"
WIDTH****SPECIFICATIONS****DESIGN**

Size	24" Wide
Number of Cooking Zones	4
Colour	Black

CONTROLS

Control Type	Glass Touch
Control Location	Front Center
Display	White LED

FEATURES

Power Adjustment Levels	1 - 9
Power Boost Mode "P"	All Zones
Warm "A"	Yes, All Zones
Simmer "A"	Yes, All Zones
Melt "A"	Yes, All Zones
Simmer Enhancer Cooking Zones	Yes, All Zones
1-99 Minute Timer / Zone	Yes, All Zones
Automatic Pan Detection	Yes, All Zones
Pan Size Detection	Yes, All Zones
Residual Heat Indicator "H"	Yes, All Zones
Control Lock	Yes
Auto Turn Off	Yes
Ventilation Spacers	Yes, 4

ZONE ONE

Location	Left Rear
Size	8.26" x 7.08"
Element Performance / Boost	2100W/3500W

ZONE TWO

Location	Left Front
Size	8.26" x 7.08"
Element Performance / Boost	2100W/3500W

ZONE THREE

Location	Right Rear
Size	5.7"
Element Performance / Boost	1200W/1800W

ZONE FOUR

Location	Right Front
Size	8.26"
Element Performance / Boost	2100W/3500W

BRIDGE ZONE

Location	Left Front + Left Rear
Size	14.50"L x 8.31"W
Element Performance / Boost	3300W Max

MAGNETIC STAINLESS STEEL SIDE ACCESSORIES

Cooling Zone	8.0" x 21.0"
Spoon Rest	6.0" x 21.0"
Dishwasher Safe	Yes, Both

TECHNICAL DETAILS

Total Wattage	7500W
Voltage	240v, 60Hz
Amps	30A
Agency Certifications	ETL, CETL, FCC, CSA
Approved for Combination	Yes
Installation with Sharp Appliances**	

DIMENSIONS & WEIGHT (in./lbs.) (w x h x d)

Cutout Dimensions	22 7/16" x 4 1/2" 19 5/8"
Product Dimensions	24.0" x 2 1/2" x 21.0"
Shipping Dimensions	30 3/4" x 9 1/2" x 25.0"
Product Weight / Shipping Weight	34.0 lbs. / 39.0 lbs.

WARRANTY/UPC

Parts	1 year limited
Labour	1 year limited
UPC	074000621619

Approved to be installed over a Sharp® 24 in. European Convection Built-In Single Wall Oven or a Sharp Microwave Drawer™ Oven.

Product specifications and design are subject to change without notice.

© 2022 Sharp Electronics of Canada Ltd. All rights reserved.

Sharp and all related trademarks are trademarks or registered trademarks of Sharp Corporation and/or its affiliated companies. All other trademarks are property of their respective owners.

SIMPLY BETTER LIVING

At Sharp Electronics of Canada, we are committed to Simply Better Living. Our innovative home appliance products are SIMPLE to use, BETTER than the competition, and encourage a HEALTHY LIFESTYLE.

SHARP ELECTRONICS OF CANADA LTD.
335 Britannia Road East, Suite 101, MISSISSAUGA, ONTARIO L4Z 1W9
905.568.7140 • www.sharp.ca
11/25/2022 Ver1



SHARP
Be Original.

SHARP

Simply Better Living

7500
WATTS24"
WIDTH

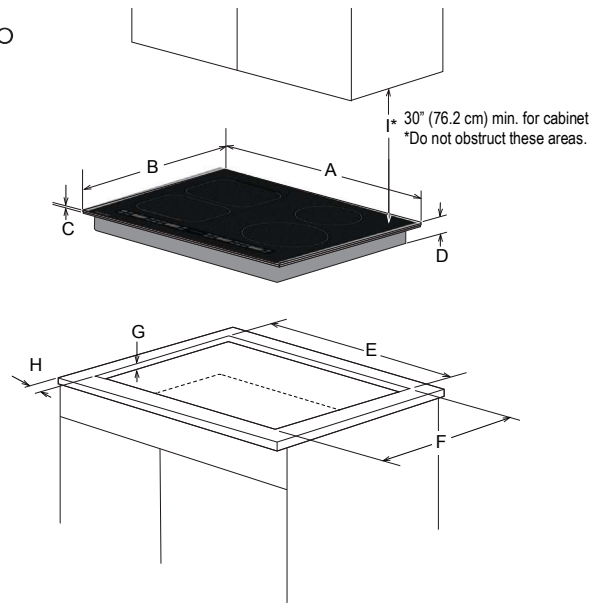
Induction Cooktop

SCH2443GB

The following are measurements only. Do not use to install.

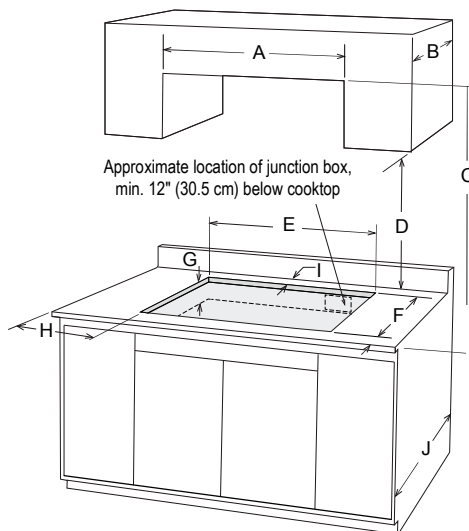
For detailed installation instructions, please refer to the installation manual.

COOKTOP AND CUTOUT DIMENSIONS

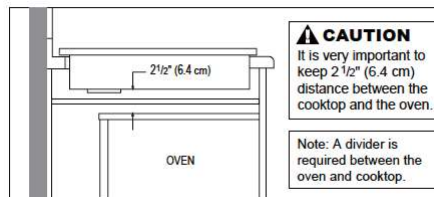


- A. 24" (61 cm)
- B. 21" (53.3 cm)
- C. 3/16" (5 mm)
- D. 21 1/16" (6.8 cm)
- E. 22 7/16" (56.7 cm)
- F. 19 5/8" (49.8 cm)
- G. Minimum: 13/32" (1 cm)
Maximum: 25/32" (2 cm)
- H. Minimum: 2" (5.1 cm)
- I. Minimum: 30" (76.2 cm)

COOKTOP CUTOUT OPENING DIMENSIONS



- A. 24" (61 cm)
- B. 13" (33 cm)
- C. Minimum: 30" (76.2 cm) to unprotected wood
- D. 18" (45.7 cm)
- E. 22 7/16" (56.7 cm)
- F. 19 5/8" (49.8 cm)
- G. Minimum: 4 1/2" (11.4 cm)
- H. Minimum: 2" (5.1 cm)
- I. Minimum: 2" (5.1 cm)
- J. 24" (61 cm)



CAUTION
It is very important to keep 2 1/2" (6.4 cm) distance between the cooktop and the oven.

Note: A divider is required between the oven and cooktop.

SIMPLY BETTER LIVING

At Sharp Electronics of Canada, we are committed to Simply Better Living. Our innovative home appliance products are SIMPLE to use, BETTER than the competition, and encourage a HEALTHY LIFESTYLE.

SHARP ELECTRONICS OF CANADA LTD.
335 Britannia Road East, Suite 101, MISSISSAUGA, ONTARIO L4Z 1W9
905.568.7140 • www.sharp.ca
11/25/2022 Ver1

**SHARP**

Be Original.