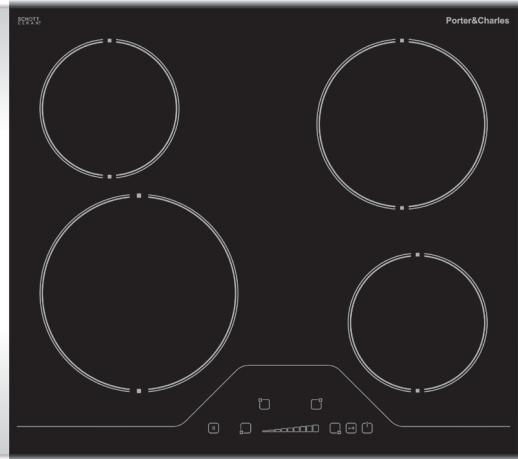


24" Built-In 4-Zone Electric Cooktop



AVAILABLE FINISHES / COLOUR OPTIONS



CC60V

Black Ceramic Glass, Stainless Steel Sides with Bevelled Edges Front / Back

KEY FEATURES

Black Ceramic Glass Surface

P&C ceramic cooktops have scratch-free, easy-to-clean smooth surfaces, providing clean and modern looks with a minimalist design that helps accentuate the look of any kitchen.

4 High-Light Elements

Provides quick, reliable, and evenly distributed heat for more consistent cooking.

Precise Control

P&C electric cooktops have touch sensitive front controls with LED indicators that are practical and allow for precise temperature settings and provide an easy-to-clean surface.

9 Power Levels

With the use of 9 power levels, your P&C electric cooktop allows you to adjust the heat output of each element.

Residual Heat Indicators

When the cooking zone is not cool enough to touch safely, the residual heat indicators warn you with a visible red indicator on the cooktop surface.

Automatic Shutoff

If a cooking zone is in use for a certain period of time with no changes to the control setting, the burner will automatically turn off to prevent unsupervised heating.



GENERAL PROPERTIES

Type	Electric
Cooking Surface	Black ceramic glass surface
Cooktop Frame	Stainless steel side edges, beveled front and back
Number of Elements	4 Hi-Lite cooking elements
Shallow Depth Installation	Allows for easy install over drawers or ovens

CONTROLS

Type	Electronic touch controls
Location	Front center

FEATURES

Power Levels	9
Control Panel	Smooth touch / LED display
Quick Heating Elements	Yes
Auto Shut Off	Yes
Smart Pause	Yes
Count Down Timer	Yes
Hot Surface Indicator	Radiant heat indicators
Child Lock	Yes

ELEMENT PERFORMANCE

Front Left Element	1800W / Power Boost: 2500W
Back Left Element	1400W / Power Boost: 1800W
Back Right Element	1800W / Power Boost: 2500W
Front Right Element	1400W / Power Boost: 1800W

ELEMENT SIZE

Dimensions of Front Left Element	7 ⁷ / ₈ " (200mm)
Dimensions of Back Left Element	6 ⁵ / ₁₆ " (160mm)
Dimensions of Back Right Element	7 ⁷ / ₈ " (200mm)
Dimensions of Front Right Element	6 ⁵ / ₁₆ " (160mm)

TECHNICAL DETAILS

Electrical Supply	208/240 V, 60Hz
Max. Amp Load	40 Amp
Power Cord	*Supplied with a 5ft electrical cable and must be hardwired

PRODUCT DIMENSIONS

Width (In/mm)	23 ⁵ / ₁₆ " (592mm)
Height (In/mm)	2 ³ / ₈ " (60mm)
Depth (In/mm)	20 ¹ / ₂ " (520mm)

CUT OUT DIMENSIONS

Width (In/mm)	22 ⁵ / ₁₆ " (567mm)
Height (In/mm)	min. 3 ¹ / ₈ " (80mm)
Depth (In/mm)	19 ¹ / ₁₆ " (485mm)

Installation Details

PRODUCT DIMENSIONS - W / H / D (INCH/MM)

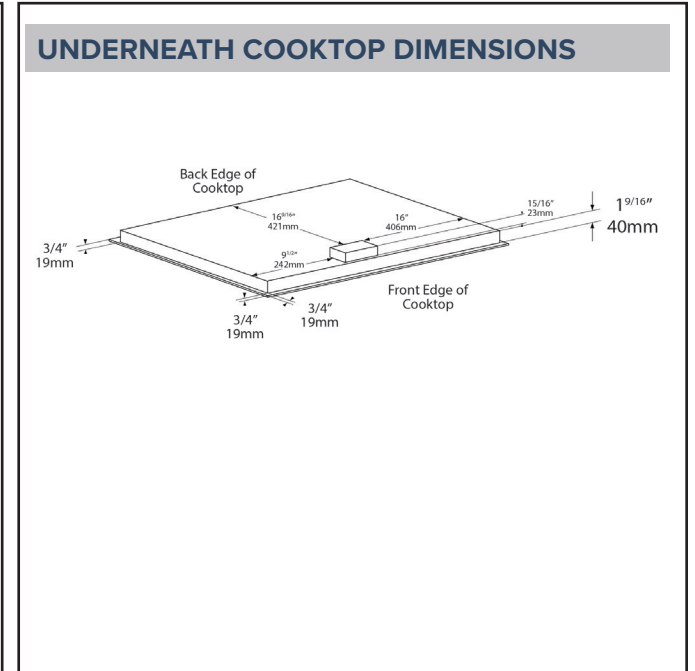
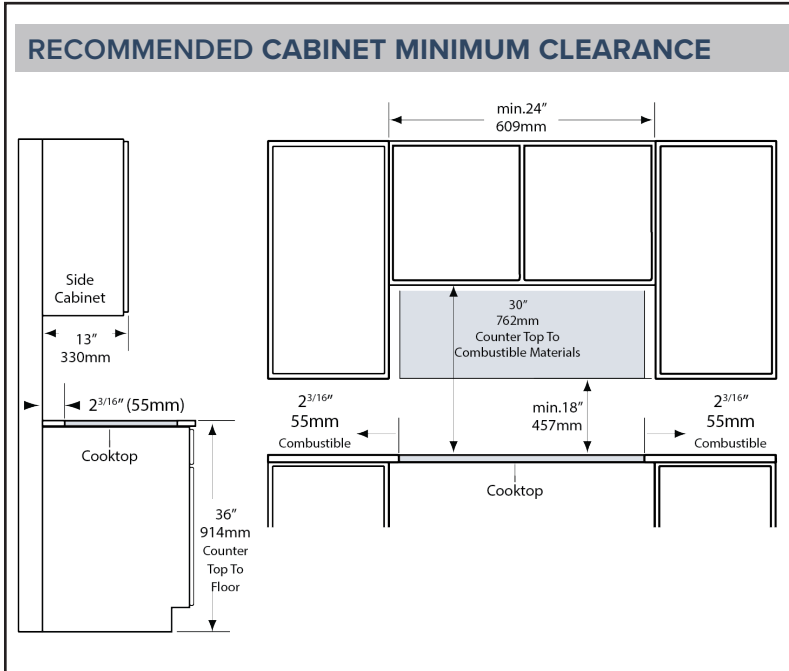
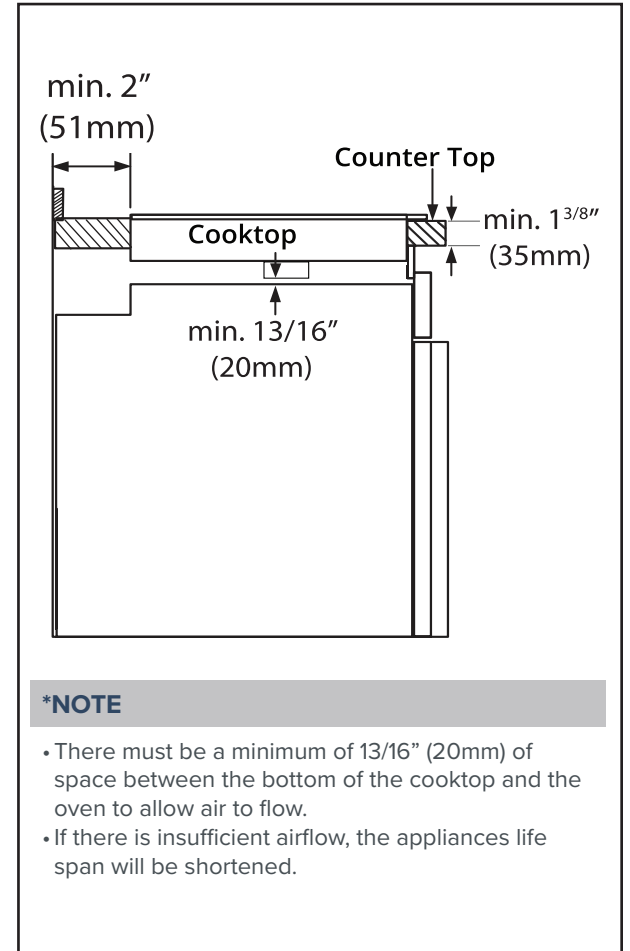
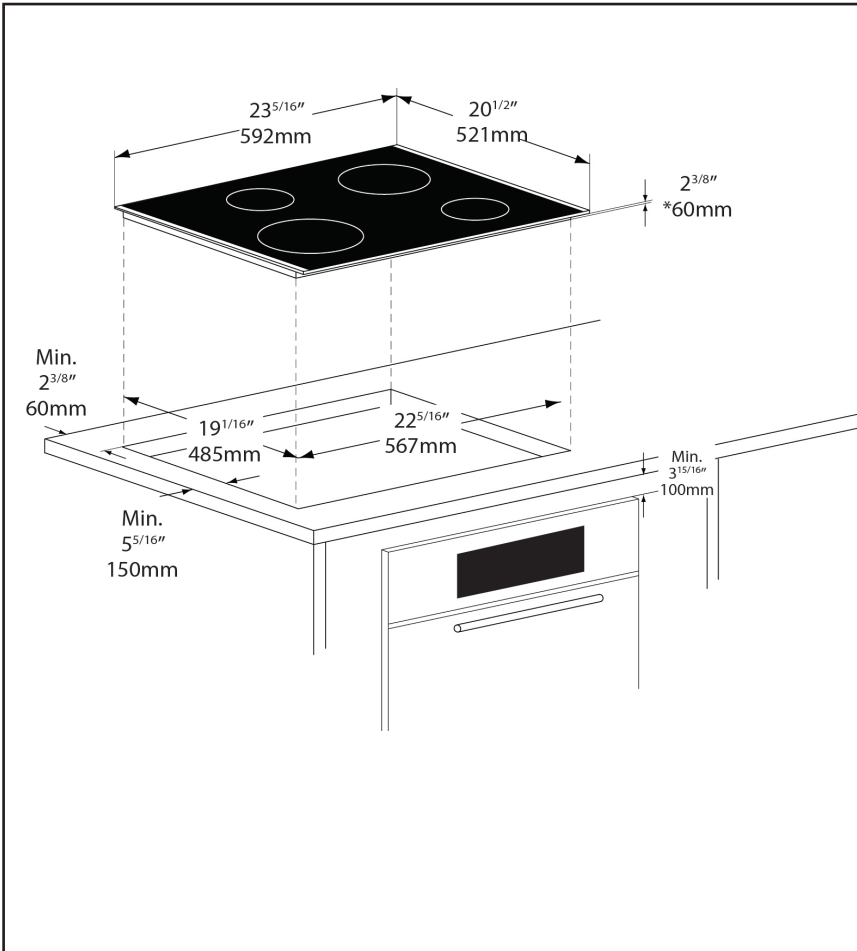
23⁵/₁₆" / 2³/₈" / 20¹/₂"

592mm / 60mm / 520mm

CUT OUT DIMENSIONS - W / H / D (INCH/MM)

22⁵/₁₆" / min. 3¹/₈" / 19¹/₁₆"

567mm / min. 80mm / 485mm





WARRANTY INFORMATION

Porter & Charles Appliances are designed and manufactured to the highest standards. Each appliance is covered by a comprehensive 2-year parts and labour warranty. Refer to product warranty policy for complete terms and conditions.

FOR PARTS & SERVICE

Euro-Parts & Service

39822 Belgrave Road, Belgrave, ON. N0G 1E0 1 866 722 2262
www.euro-parts.ca • parts@euro-parts.ca • service@euro-parts.ca

Porter & Charles appliances are imported and distributed in North America by Euro-Line Appliances Inc. For more information, please visit one of our showrooms or www.ela.ca

EURO-LINE APPLIANCES INC.

871 Cranberry Court, Oakville, ON
L6L 6J7 Canada
905.829.3980
1-800.421.6332
info@ela.ca

EURO-LINE APPLIANCES INC.

101-1014 Homer Street, Vancouver, BC
V6B 2W9, Canada
604.235.3980
1-855.ELA.WEST (352.9378)
infowest@ela.ca