

HK6400BT

AEG

24" Built-In Electric Ceramic Cooktop with Stainless Steel Trim

FEATURES & BENEFITS

Blends Seamlessly Into Any Kitchen

The black surface and stainless steel trim aligns perfectly with every kitchen style.

4 High-Light Radiant Elements

Provides quick, reliable, and evenly distributed heat for more consistent cooking.

Ceramic Glass Surface

Ensures improved safety and easy cleaning.

Touch & Slide Controls

Adjust and control the power levels with a simple touch and slide design.

Digital Timer Setting

The digital timer setting of up to 99 minutes helps coordinate meal preparation and cooking.

9 Power Levels

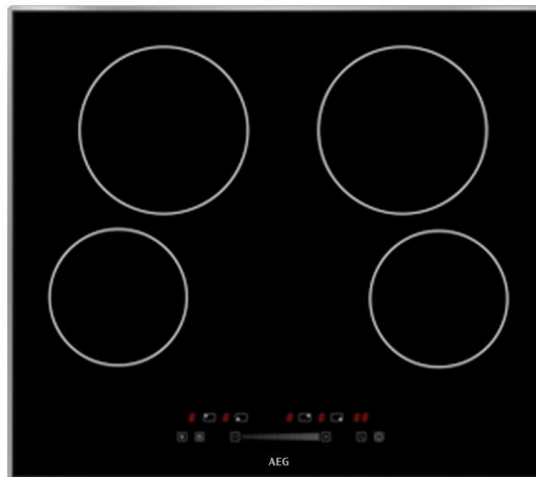
Allows you to adjust the heat output of each element.

Residual Heat Indicator

Cooktop indicates when elements are still hot.

Automatic Switch-Off

The cooktop automatically turns off when overheating.



AVAILABLE COLORS

 Stainless Steel / Black Glass Finish

GENERAL PROPERTIES

Type	24" Electric Cooktop
Style	Built-In
Surface Colour	Black
Frame Colour	Metal Aluminum Frame (Four Sides)
Beveled Edge	Beveled Edges (Four Sides)

CONTROL FEATURES

Cooktop Control Type	Touch & Slide Controls
Control Location	Front - Center

COOKTOP FEATURES

Number of Zones	4 Cooking Zones
Lighted Icons	Red - LED Light
Bridge Cooking Element	N/A
Power Stage Setting	0-9 Power Levels
Digital Timer Setting	00 - 99 minutes
Residual Heat Indicator	Yes
Automatic Safety Shut Off	Yes
Pause Function	Yes
Child Safety Lock Function	Yes

ELEMENT PERFORMANCE

Total Surface Element Wattage	6000 W
Zone / Watts - Front Right	1200 W
Zone / Watts - Front Left	1800 W
Zone / Watts - Rear Right	1800 W
Zone / Watts - Rear Left	1200 W

ELEMENT SIZE

Diameter of Cooking Zones - Front Right	6" (152mm)
Diameter of Cooking Zones - Front Left	8" (203mm)
Diameter of Cooking Zones - Rear Right	8" (203mm)
Diameter of Cooking Zones - Rear Left	6" (152mm)

TECHNICAL DETAILS

Watts (W)	6000W
Volts (V)	208/240 V
Frequency (Hz)	60 Hz
Amperage (Amp)	40
Electrical cable – Hard wired	51" (1.3m)

DIMENSIONS

Product Dimensions (In / mm) (W / H / D)	23 ^{1/4"} / 3 ^{1/4"} / 20 ^{1/2"} (590mm / 82.6mm / 520mm)
Cut-Out Dimensions (In / mm) (W / D)	22 ^{1/16"} / 19 ^{5/16"} (560mm / 490mm)

WARRANTY

Parts & Labor	2 Years
---------------	---------

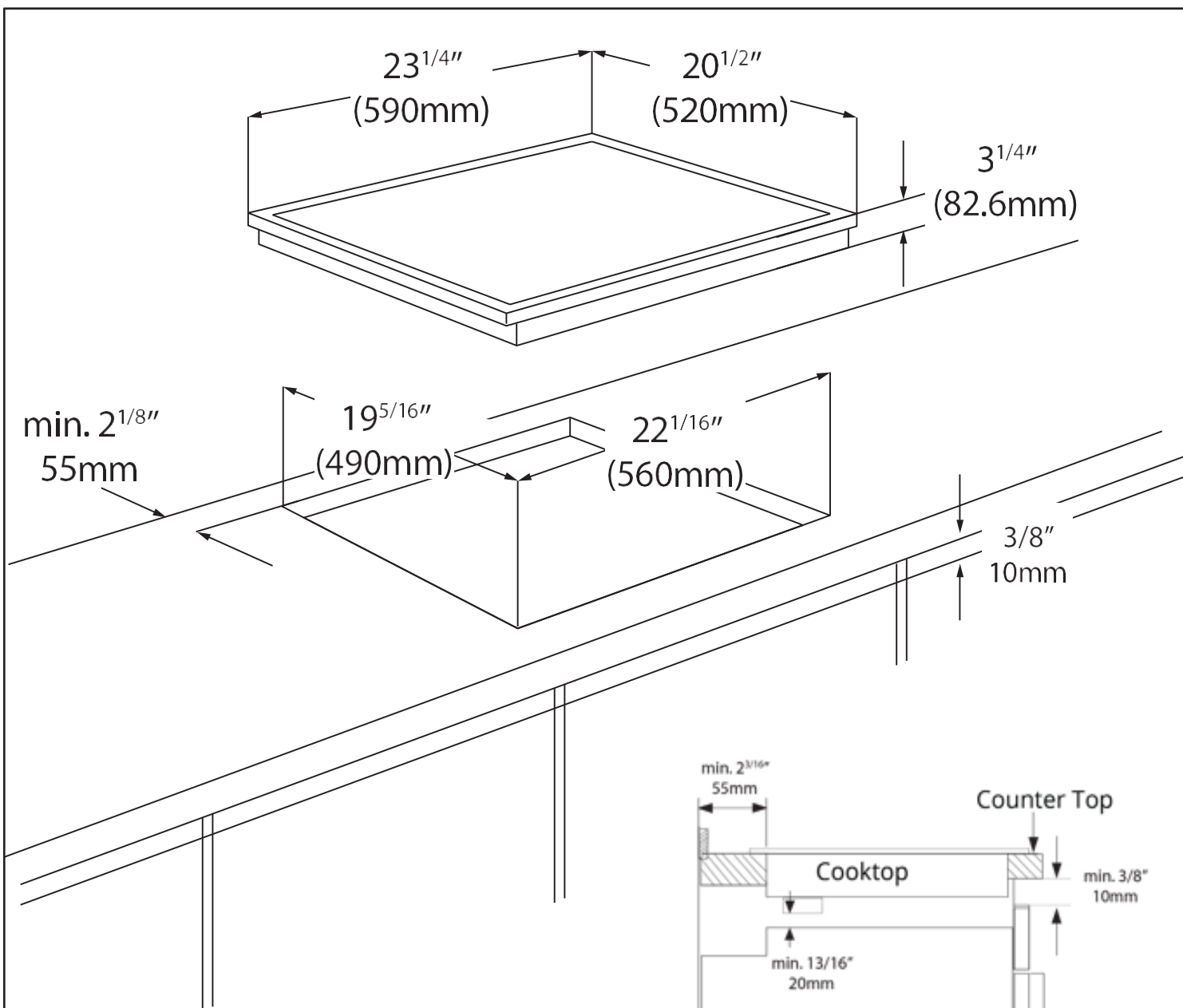
Installation Details

PRODUCT DIMENSIONS

In (W / H / D)	23 ^{1/4"} / 3 ^{1/4"} / 20 ^{1/2"}
mm (W / H / D)	590mm / 82.6mm / 520mm

CUT-OUT DIMENSIONS

In (W / D)	22 ^{1/16"} / 19 ^{5/16"}
mm (W / D)	560mm / 490mm



- Minimum distance from the cooktop cut-out to the wall: 2^{3/16"} (55mm).
- Minimum distance from the cooktop cut-out to the side wall: 2^{3/16"} (55mm).
- Minimum distance from the cooktop surface to the range hood: 24" (610mm)

- A built-in oven can be installed below the cooktop as long as there is at least 13/16" (20mm) of space between the bottom flat surface of the cooktop / bottom of the electrical box and the top of the oven.
- Allow at least 2^{3/16"} (55mm) from the counter-top front edge to the edge of the cut-out.

Other Product Downloads Available at aeg-appliances.ca

AEG

WARRANTY INFORMATION

AEG Appliances are designed and manufactured to the highest standards. Each appliance is covered by a comprehensive 2-year parts and labour warranty. Refer to product warranty policy for complete terms and conditions.

FOR PARTS & SERVICE

Euro-Parts & Service

39822 Belgrave Road, Belgrave, ON. N0G 1E0 1 866 722 2262

www.euro-parts.ca • parts@euro-parts.ca • service@euro-parts.ca

AEG appliances are imported and distributed in North America by Euro-Line Appliances Inc. For more information, please visit one of our showrooms or www.ela.ca

EURO-LINE APPLIANCES INC.

871 Cranberry Court
Oakville, ON L6L 6J7
Tel: 905.829.3980
Toll-Free: 1-800.421.6332
Email: info@ela.ca

EURO-LINE APPLIANCES INC.

101-1014 Homer Street
Vancouver, BC V6B 2W9
604.235.3980
1-855.352.9378
infowest@ela.ca