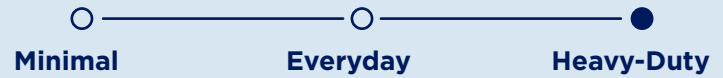




SUITABLE COOKING STYLE & FEATURES:



**860**  
CFM

**7.1 FT**  
POWERFUL  
SUCTION

**3**  
SPEED  
SETTING

**RECIRCULATING**  
OPERATION

**DELAY**  
AUTO  
SHUT-OFF

## WM-540 CONTEMPORARY WALL MOUNT

SIZE: 30"

### PRODUCT DESCRIPTION



Designed to keep your kitchen fresh and clean, the WM-540 wall mount range hood is a stainless steel 30-inch kitchen exhaust fan that utilizes high CFM power for professional quality performance. And the easy to remove, handled baffle filters can be tossed into the dishwasher for a fast clean-up, keeping your kitchen fresh and odor-free.

### WHAT'S INCLUDED

Dishwasher-Safe Baffle Filters (2), Lower Chimney Cover (1), Upper Chimney Cover (1), Chimney Bracket (2), Grease Collector Tube (1), 6" Round Exhaust Adapter (1)

### OVERALL PRODUCT DIMENSIONS (WxDxH)

29-1/2" x 19-5/8" x 21" - 36"

### WARRANTY

2-Year Limited Warranty and Lifetime Warranty on Motor



### FEATURES & BENEFITS:

#### CONTEMPORARY STYLE TO TRANSFORM YOUR KITCHEN :

Crafted with high quality stainless steel, contemporary design, and full-size baffle filter handles.

#### POWERFUL SUCTION:

Utilizes high CFM suction to efficiently extract harmful cooking fumes.

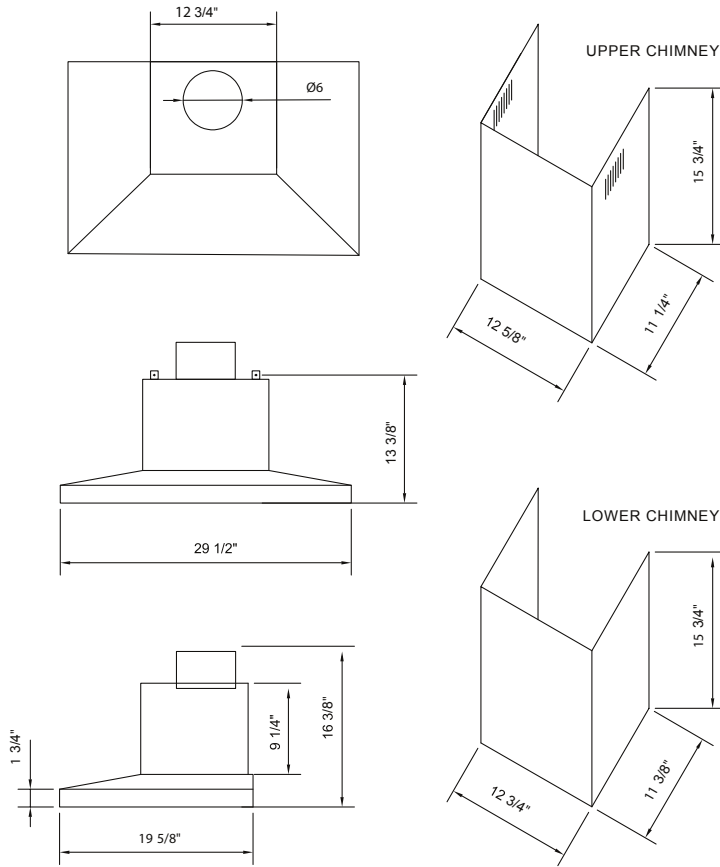
#### LOW-NOISE OPERATION:

Uniquely designed duct system and large motor to effectively reduce airflow noises.

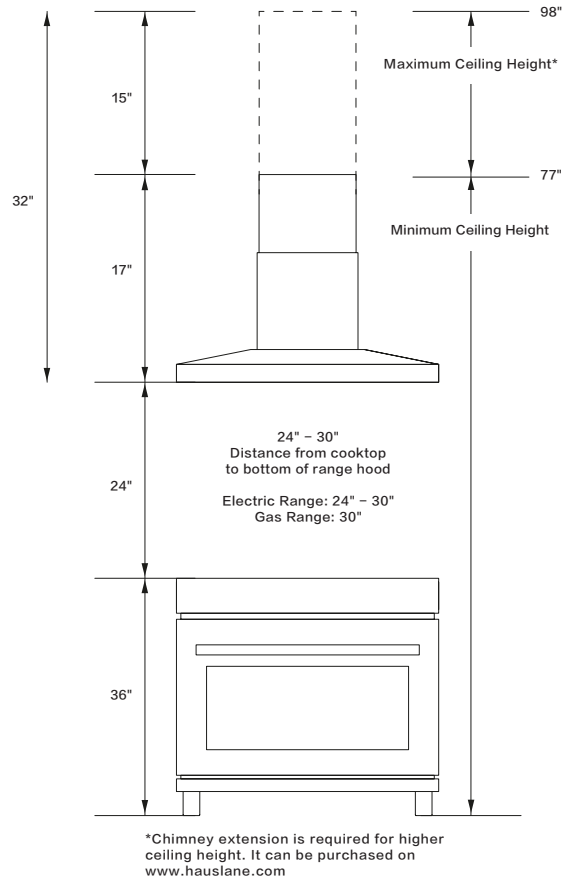
#### EASILY CONVERT TO DUCTLESS:

Versatile cooker hood fits a 6" round duct and works in a ductless kitchen; simply combine it with our effective charcoal filters (sold separately) to trap grease particles from fumes and deodorize cooking smells.

## DETAIL DRAWING



## CEILING HEIGHT GUIDE



## SPECIFICATIONS

<b>SIZE</b>	30"
<b>STYLE</b>	Wall Mount
<b>DUCTLESS</b>	Yes
<b>CLEANING FUNCTION</b>	N/A
<b>NOISE LEVEL</b>	2.0 to 7.0 Sones
<b>LIGHT COLOR TEMP.</b>	Bright White / 4000 Kelvin
<b>LIGHT BULB</b>	3W LED (Integrated)
<b>LIGHT INTENSITY</b>	1 Level
<b>CONTROL</b>	Touch Control
<b>SPEED SELECTIONS</b>	3 Levels
<b>CONVERTIBLE</b>	Yes. Charcoal Filters (CFI010) Not Included.

<b>EQUIVALENT AIRFLOW</b>	860 CFM
<b>LABORATORY AIRFLOW</b>	500 CFM
<b>TOP VENTING</b>	6" Round
<b>REAR VENTING</b>	N/A
<b>MOTOR</b>	Single
<b>WATTAGE</b>	180W
<b>VOLTAGE</b>	120V
<b>CONNECTION</b>	Plug-In
<b>AMPERAGE</b>	1.5 Amp
<b>OVERALL PRODUCT DIMENSIONS (WxDxH)</b>	29-1/2" x 19-5/8" x 21" - 36"