

FEC76B3

30" Stainless Steel 4-Zone Electric Range, Multifunction Convection Oven



GENERAL PROPERTIES

Fuel Type	Electric
Style	Freestanding / Slide-In
Color	Stainless Steel
Handle	Stainless Steel Handle
Cooktop Surface	Easy-Clean, Smooth top
Cooktop / Oven Control Type	Rotary Knobs
Viewing Window	Yes
Display Type	Digital Timer / Clock
Number of Rack Positions	5
Oven Interior	Diamond glazed interior
Oven Door	Double Glazed Door
Drawer	Yes
Adjustable Leg Height	Yes

CAPACITY

Number of Cooking Zones	4
Oven Interior Capacity	3.8 Cu. Ft. (105L) Capacity

COOKTOP PERFORMANCE

Dual Element - Left Front	4 ^{3/4} " / 8 ^{1/4} " - 750W / 2200W
Single Element - Left Rear	5 ^{11/16} " - 1200W
Single Element - Right Front	5 ^{11/16} " - 1200W
Extendable Element - Right Rear	5 ^{11/16} " / 10 ^{1/2} " - 1400W / 2200W
Residual Heat Indicator	Yes

OVEN FEATURES

Number of Cooking Functions	9
Convection	Yes
Countdown Time with Alarm	Yes
Cooking Duration & End Time	Yes
Oven Interior Lighting	Halogen Lighting
Metric and imperial baking chart on inside of door	Yes
Oven Cleaning Type	Catalytic Clean

OVEN FUNCTIONS

Fan Forced Convection	High Bake
Fan Assist	Defrost / Food Warmer
Half Grill	Conventional Cooking
Full Grill	Pizza (Preheat)
Fan Grill	Catalytic Clean

TECHNICAL DETAILS

Electrical Requirements	208/240V, 60Hz, 30Amp/40Amp
Power Cord	*Supplied with range cord & plug

DIMENSIONS

Product Dimensions W / H / D (In/mm)	30" / 36 ^{1/4} " / 25 ^{3/16} " (762mm / 920mm / 640mm)
Cut Out Dimensions W / H / D (In/mm)	30 ^{1/16} " / 35 ^{7/8} " / 24 ^{1/2} " (764mm / 900mm / 622mm)

AVAILABLE FINISHES / COLOUR OPTIONS



KEY FEATURES

Flexible Cooking

Experience the ultimate cooking flexibility and get the look of a built-in range, with a powerful cooktop that offers four elements, designed to handle all your cooking needs.

4 High-Performance Cooking Zones

Four-element cooktop gives you the ultimate cooking flexibility with a powerful radiant cooktop. From a 1200W single burner to a high-powered 2200W dual heating element, this range gives you the power to master any meal.

Sized to Suit

With a spacious 3.8 cu. ft. oven capacity, this built-in oven is designed to accommodate multiple dishes and your favourite meals with ease.

Convection Oven

Evenly bake foods like roasts and cookies with this helpful feature that uses a fan to circulate heated air.

Digital Clock and Timer

Allowing you to monitor how long the food has been cooked. No longer you need to worry about your food getting overcooked.

Heavy Duty Control Knobs

Heavy-duty, stainless steel rotary control knobs add style and durability.

Warming Drawer

Frees up kitchen counter space with additional storage underneath the range.

Easy-to-Clean Cooktop

Easy to clean and stunning to look at this cooktop adds a touch of refinement to any kitchen.

Accessories

Deep Enamelled Roasting Pan (1), Grill Rack Insert (1), Wire Oven Shelves (2), Full Extension Telescopic rails (1-pair).

FEC76B3



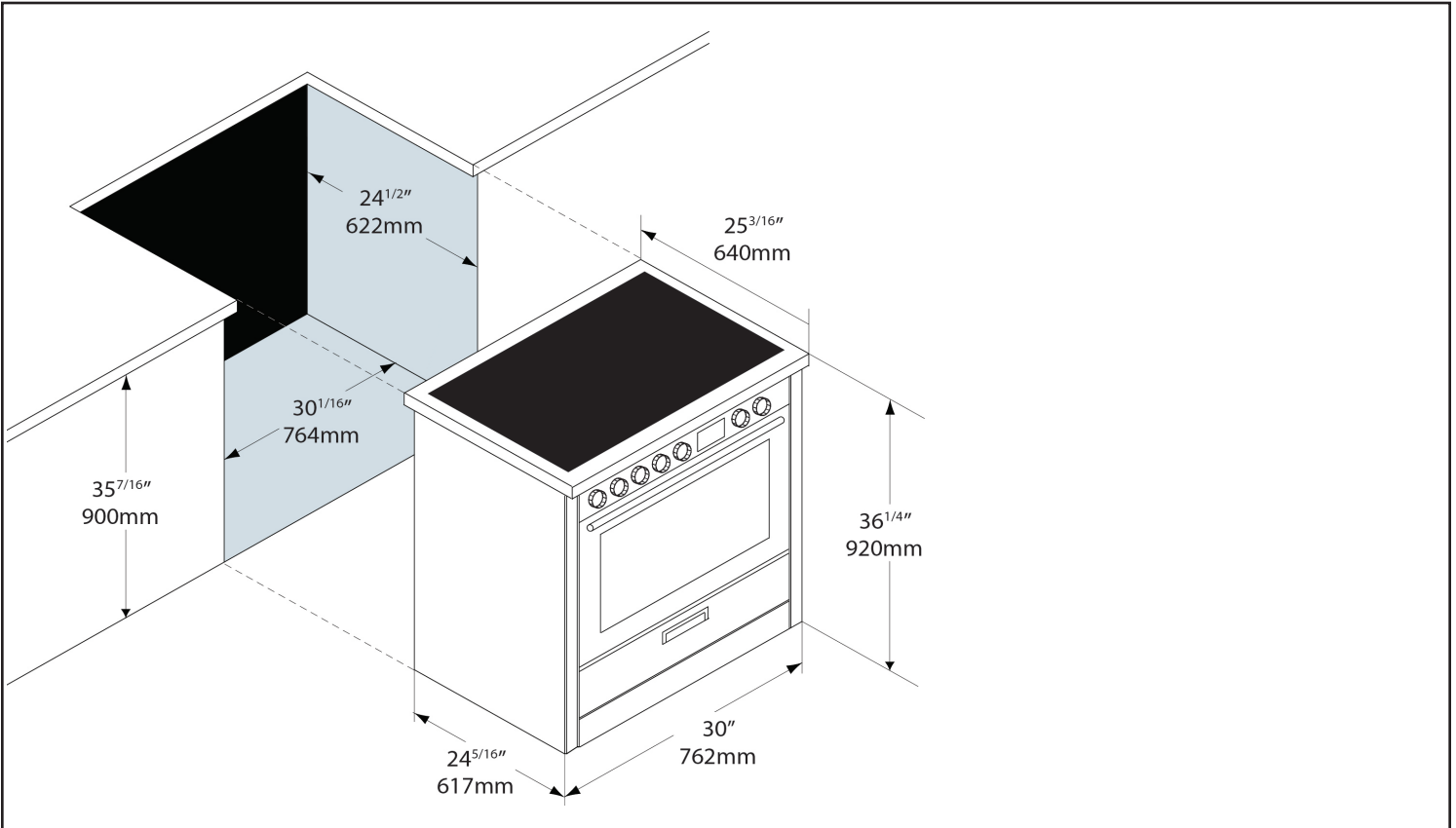
Installation Details

PRODUCT DIMENSIONS - W / H / D (INCH/MM)

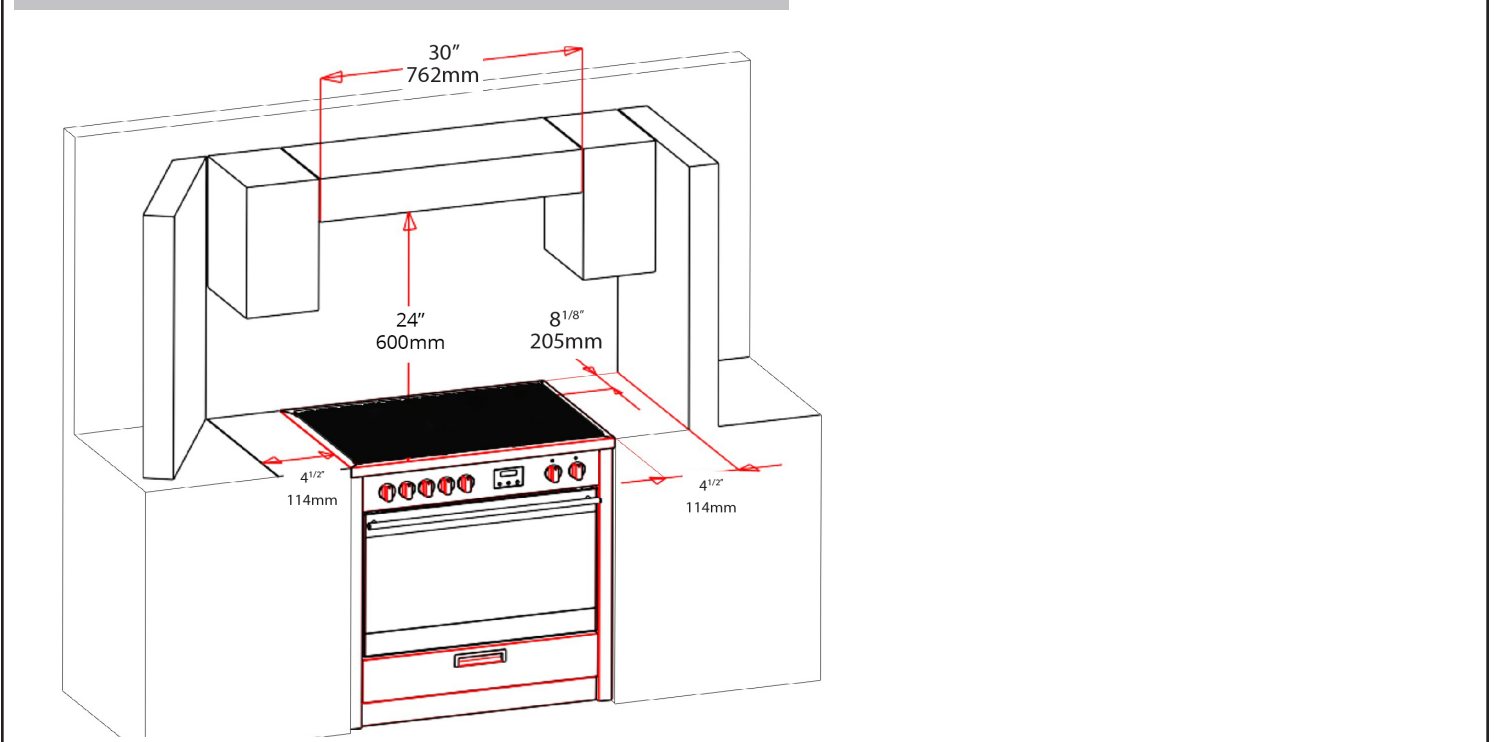
30" / 36¹/₄" / 25³/₁₆"
762mm / 920mm / 640mm

CUT-OUT DIMENSIONS W / H / D (INCH/MM)

30¹/₁₆" / 35⁷/₁₆" / 24¹/₂"
764mm / 900mm / 622mm



RECOMMENDED MINIMUM CLEARANCE





WARRANTY INFORMATION

Porter & Charles Appliances are designed and manufactured to the highest standards. Each appliance is covered by a comprehensive 2-year parts and labour warranty. Refer to product warranty policy for complete terms and conditions.

FOR PARTS & SERVICE

Euro-Parts & Service
39822 Belgrave Road, Belgrave, ON. N0G 1E0 1 866 722 2262
www.euro-parts.ca • parts@euro-parts.ca • service@euro-parts.ca

Porter & Charles appliances are imported and distributed in North America by Euro-Line Appliances Inc. For more information, please visit one of our showrooms or www.ela.ca

EURO-LINE APPLIANCES INC.

871 Cranberry Court, Oakville, ON
L6L 6J7 Canada
905.829.3980
1-800.421.6332
info@ela.ca

EURO-LINE APPLIANCES INC.

101-1014 Homer Street, Vancouver, BC
V6B 2W9, Canada
604.235.3980
1-855.ELA.WEST (352.9378)
infowest@ela.ca