

BEK431010M



24" Built-In Multifunction, Ezi Steam & Bake Oven, 3000 Series

FEATURES & BENEFITS

German Engineering

AEG ovens are engineered to integrate seamlessly into any kitchen environment while delivering innovative design and professional performance every homeowner demands.

Master The Way You Cook

Featuring 8 different cooking functions allowing you to master the finer art of cooking. Everything from making bread and pastries to your favorite holiday dinners.

Fully Programmable Timer

Programmable timer gives you the flexibility to set when you would like to cook and how long you would like to cook for.

The Cool-Touch Oven for Added Safety in the Kitchen

Constructed from multiple glass layers, this oven's door stays safely cool to the touch. Plus, its beautifully designed, large window gives you great visibility



AVAILABLE COLORS

● Anti-Fingerprint Stainless Steel + Black Glass

GENERAL PROPERTIES

Type	Single Wall Oven
Fuel Type	Electric
Door Style	Drop Down
Control Type	Rotary Dial Knobs
Viewing Window	MaxiView™ Enlarged Window
Number of Cooking Functions	8
Cleaning Program	Steam-Clean Assist

CAPACITY

Total Oven Capacity (Cu. Ft. / L)	2.5 (72L)
Oven Rack Positions	5

OVEN FEATURES

Digital Temperature Display	Digital Display
Oven Indicator Light	Yes
Interior Oven Light	Halogen Lighting
Timer	Programmable Oven Timer
Oven Window	Multi-layer Glazed Cool Touch Oven Door
Removable Door	Drop down equilibrated, Drop down removable door
Oven Modes	Fan Forced Cooking, Grill, Fan & Grill, Bake, Pizza Mode/Convection Roast, Easy Steam, + Bake, Rapid Heat, Steam Assisted clean
End of Mode Indicator	Audible Signal
Temperature Unit of Measure	Celsius
Cooling Fan	Yes

ACCESSORIES

Included Accessories	1 x Dripping pan black enamel, 1 x Grill pan grid chromed wire rack, 1 x Flat shelf chromed wire racks, 1 x Offset oven rack, 1 x Aluminum cake tray.
Optional Accessories	Telescopic runner single extension, Telescopic runner double extension, Bottom vent grill.

TECHNICAL DETAILS

Electrical Supply	120/208/240V, 50-60Hz
Max. Current Rating	12.9 A
Max. Power Rating	3.4 kW
Oven Energy Class	B
Electrical Connection	Supplied with a 4' long electrical cable and must be hard wired to the electrical supply.

DIMENSIONS

Overall Product Dimensions (W / H / D) In / mm	23 ^{1/2} " / 23 ^{9/16} " / 22 ^{3/4} " (596mm / 599mm / 579mm)
Cut-Out Dimensions (W / H / D) In / mm	22 ^{1/8} " / 23 ^{1/4} " - 23 ^{9/16} " / 23 ^{1/2} " (562mm / 590mm - 599mm / 597mm)

WARRANTY

Parts & Labor	2 Years
---------------	---------

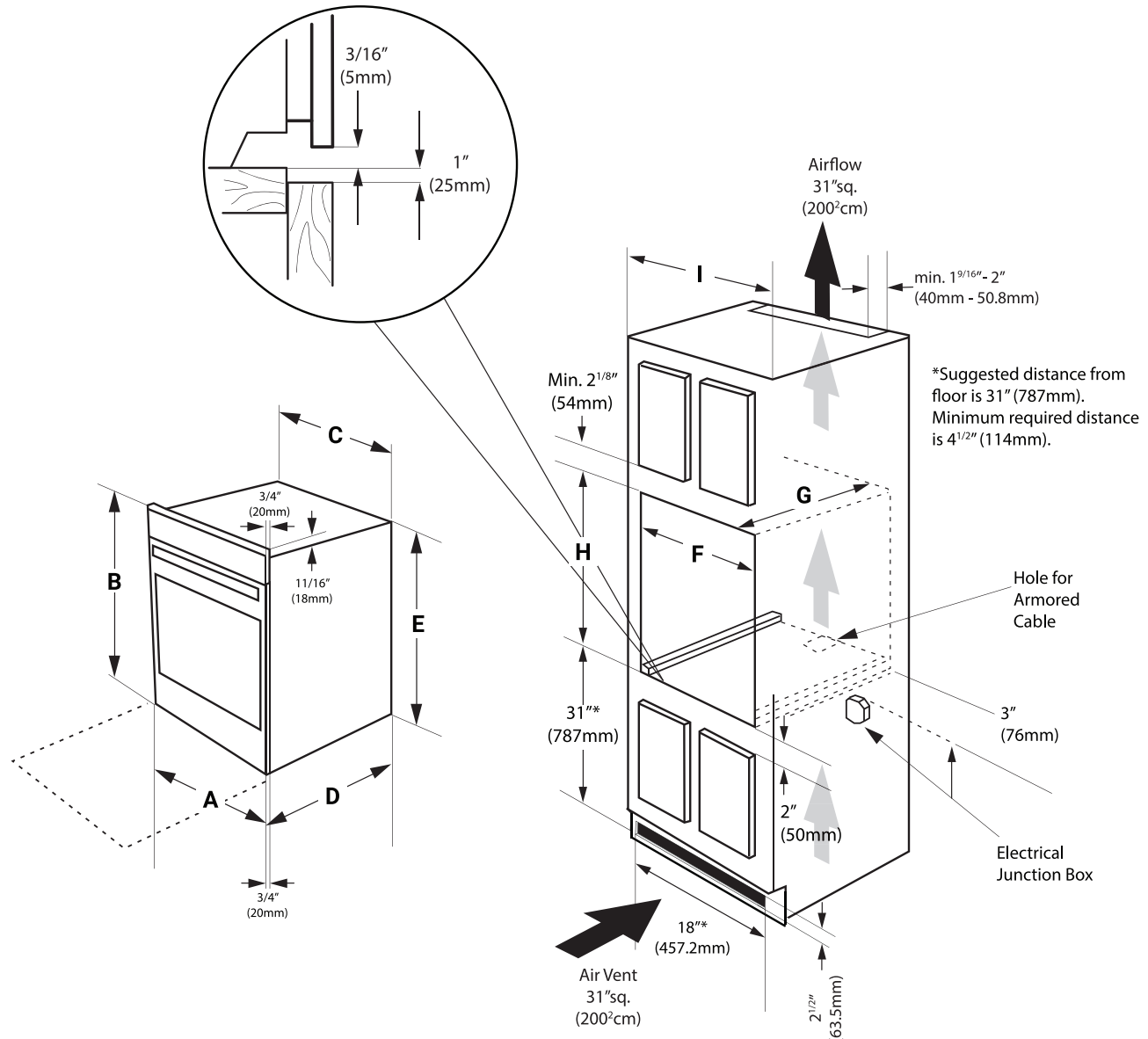
Installation Details - Wall Oven

PRODUCT DIMENSIONS

A	B	C	D	E
23 ¹ / ₂ " (596mm)	23 ⁹ / ₁₆ " (599mm)	22 ¹ / ₁₆ " (560mm)	22 ³ / ₄ " (579mm)	23 ³ / ₁₆ " (589mm)

CUT-OUT DIMENSIONS

F	G	H. Standard Height (**Others, see note 3)	I
22 ¹ / ₈ " (562mm)	23 ¹ / ₂ " (597mm)	Min. 23 ¹ / ₄ " (590mm) - Max. 23 ⁹ / ₁₆ " (599mm)	24" (610mm)



NOTES

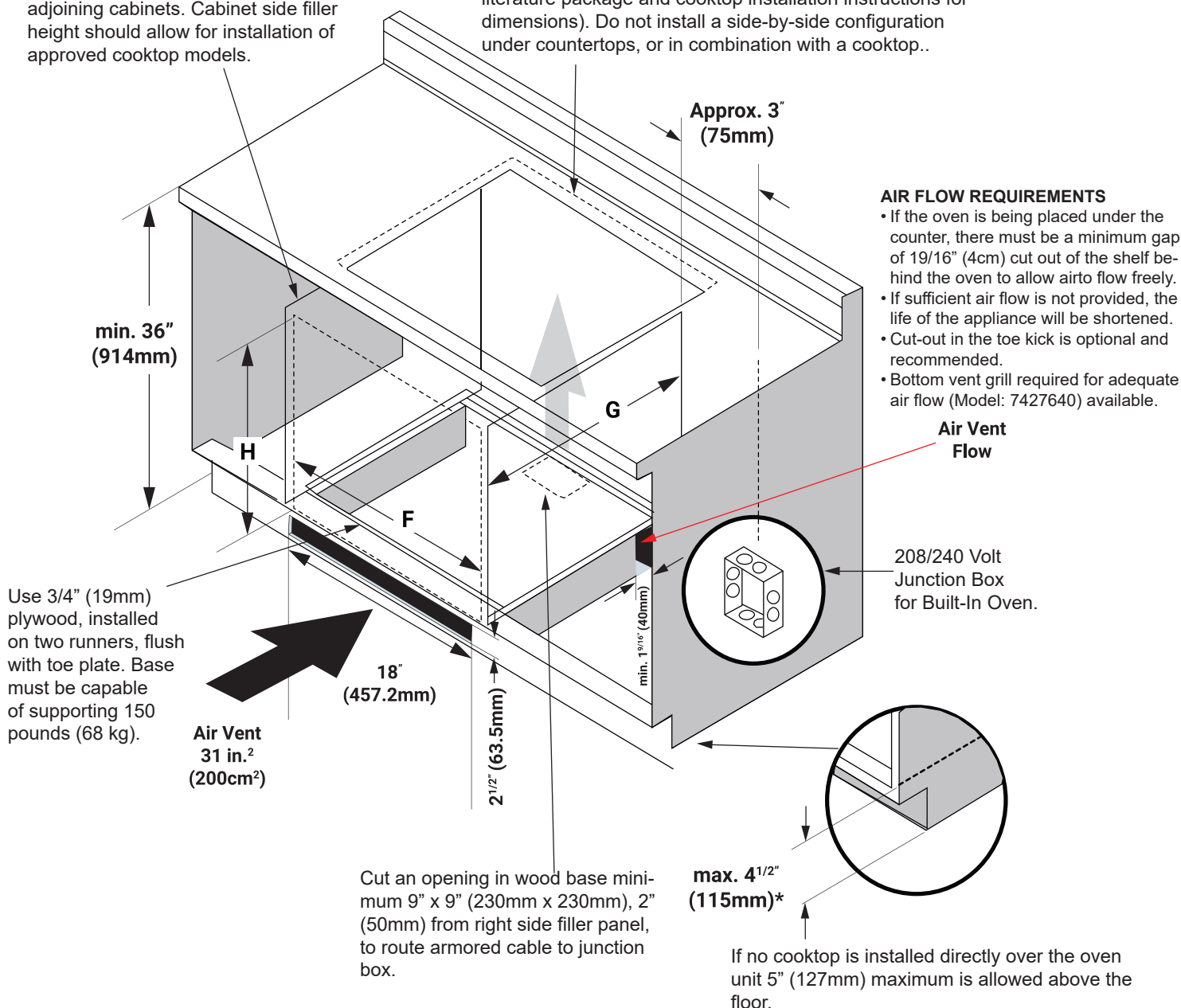
1. Allow at least 21" (533mm) clearance in front of oven door depth when it is open.
2. Dimensions G (Cut-Out Depth) is critical to the proper installation of the built-in oven. If the oven trim does not butt against the cabinet, or if noise is heard on convection models, verify dimension G to assure it is the required depth.
3. For a cut-out height greater than the minimum (H), add one 3" (50mm) wide wood shim of appropriate height to each side of the opening under the appliance side rails.
4. If the cabinet cut-out is more than the minimum dimension, the oven trim must be installed.

Installation Details - Under Counter

CUT-OUT DIMENSIONS			
	F - WIDTH	G - DEPTH	H - HEIGHT
	23 ¹ / ₂ " (596mm)	22 ¹ / ₈ " (562mm)	23 ¹ / ₂ " (597mm)
			Min. 23 ¹ / ₄ " (590mm) - Max. 23 ⁹ / ₁₆ " (599mm)

Cabinet side filler panels are necessary to isolate the unit from adjoining cabinets. Cabinet side filler height should allow for installation of approved cooktop models.

Only certain cooktop models may be installed over certain built-in electric oven models. Approved cooktops and built-in ovens are listed by the MFG ID number and product code (see the insert sheet included in the literature package and cooktop installation instructions for dimensions). Do not install a side-by-side configuration under countertops, or in combination with a cooktop..



AEG

WARRANTY INFORMATION

AEG Appliances are designed and manufactured to the highest standards. Each appliance is covered by a comprehensive 2-year parts and labour warranty. Refer to product warranty policy for complete terms and conditions.

FOR PARTS & SERVICE

Euro-Parts & Service

39822 Belgrave Road, Belgrave, ON. N0G 1E0 1 866 722 2262

www.euro-parts.ca • parts@euro-parts.ca • service@euro-parts.ca

AEG appliances are imported and distributed in North America by Euro-Line Appliances Inc. For more information, please visit one of our showrooms or www.ela.ca

EURO-LINE APPLIANCES INC.

871 Cranberry Court
Oakville, ON L6L 6J7
Tell: 905.829.3980
Toll-Free: 1.800.421.6332
Email: info@ela.ca

EURO-LINE APPLIANCES INC.

101-1014 Homer St.
Vancouver, BC V6B 2W9
Tell: 604.235.3980
Toll-Free: 1.855.352.9378
Email: infowest@ela.ca