

24" Built-In Multifunction, Steam Bake Oven, 6000 Series

FEATURES & BENEFITS

SteamBake - for perfect baking results

In addition to all your standard oven functions, the PlusSteam function in this Steam-Bake oven adds steam at the beginning of the baking process. The steam cooking keeps the dough moist on the surface to create a golden colour and tasty crust, while the heart stays soft and tender.

Intuitive oven cooking. With the EXCite Touch Display

The EXCite Touch Display provides access to a wide variety of oven functions to suit every dish. It also makes it easy to adjust oven temperature and timings. And gives you direct feedback, and highlights the most important information.

Cook more at the same time and still get a perfect result

The additional heating ring in our oven ensures your dishes are evenly cooked – even when loaded with up to three trays – for corner to corner deliciousness. Sure to make each portion as perfect as the last.

A self-cleaning oven

With one touch of the Pyrolytic cleaning function, dirt, grease and food residue in the oven is converted into ash that you can easily wipe off with a damp cloth.

Customizable Telescopic Runners provide easy access to dishes

Telescopic Runners on the shelves in the oven ensure improved access to everything inside. The runners can also be reconfigured, allowing the oven layout to be customized.



AVAILABLE COLORS

-  Anti-Fingerprint Stainless Steel + Black Glass

GENERAL PROPERTIES

Type	Single Wall Oven
Fuel Type	Electric
Door Style	Drop Down
Cooking Type	Multifunction with Ring Heating Element
Control Type	EXCite Touch Display
Viewing Window	Yes
Cleaning Program	Yes - Pyrolytic + Steam Clean

CAPACITY

Total Oven Capacity (Cu. Ft. / L)	2.5 (72L)
Oven Cavity	3 Baking Levels

OVEN FEATURES

Digital Temperature Display	Digital Display
Electronic Oven Control	Analog with end of cooking
Feature Electronics	Acoustic signal, End, Minute minder
Interior Oven Light	Oven Light Automatic at Door Opening
Oven Window	ISOFRONT® PLUS cool oven door
Removable Door	Drop down equilibrated, Drop down removable door
Sabbath Mode	Yes
Oven Modes	Bake, Convection Bake, Air Fry, Quick Preheat, Convection Roast, Broil, Keep Warm, Delay Start, Steam Bake, Steam Roast, Self Clean, Steam Clean Multi Racks, Bread Proof
Easy to clean door	Yes
Cooling Fan	Yes

ACCESSORIES

Included Accessories	1 x Cake tray aluminum, 1 x Dripping pan (black enamel), 1 x Grill pan grid chromed wire rack, 2 x Flat shelf chromed wire rack, Telescopic runners.
Optional Accessories	Bottom Vent Grill.

TECHNICAL DETAILS

Electrical Supply	120/208/240V 50-60Hz
Max. Current Rating	12.9 A
Max. Power Rating	3.4 kW
Oven Energy Class	B
Max Power Grill	2200 W
Bottom Element Power	1000 W
Top Element Power	800 W
Grill Element Power	2200 W
Ring Element Power	2200 W
Lamp Power	25 W

Electrical Connection Supplied with a 4' long electrical cable and must be hard wired to the electrical supply.

DIMENSIONS

Overall Product Dimensions (W / H / D) In / mm	23 ^{1/2} " / 23 ^{9/16} " / 22 ^{3/4} " (596mm / 599mm / 579mm)
Cut-Out Dimensions (W / H / D) In / mm	22 ^{1/8} " / 23 ^{1/4} " - 23 ^{9/16} " / 23 ^{1/2} " (562mm / 590mm - 599mm / 597mm)

WARRANTY

Parts & Labor	2 Years
---------------	---------

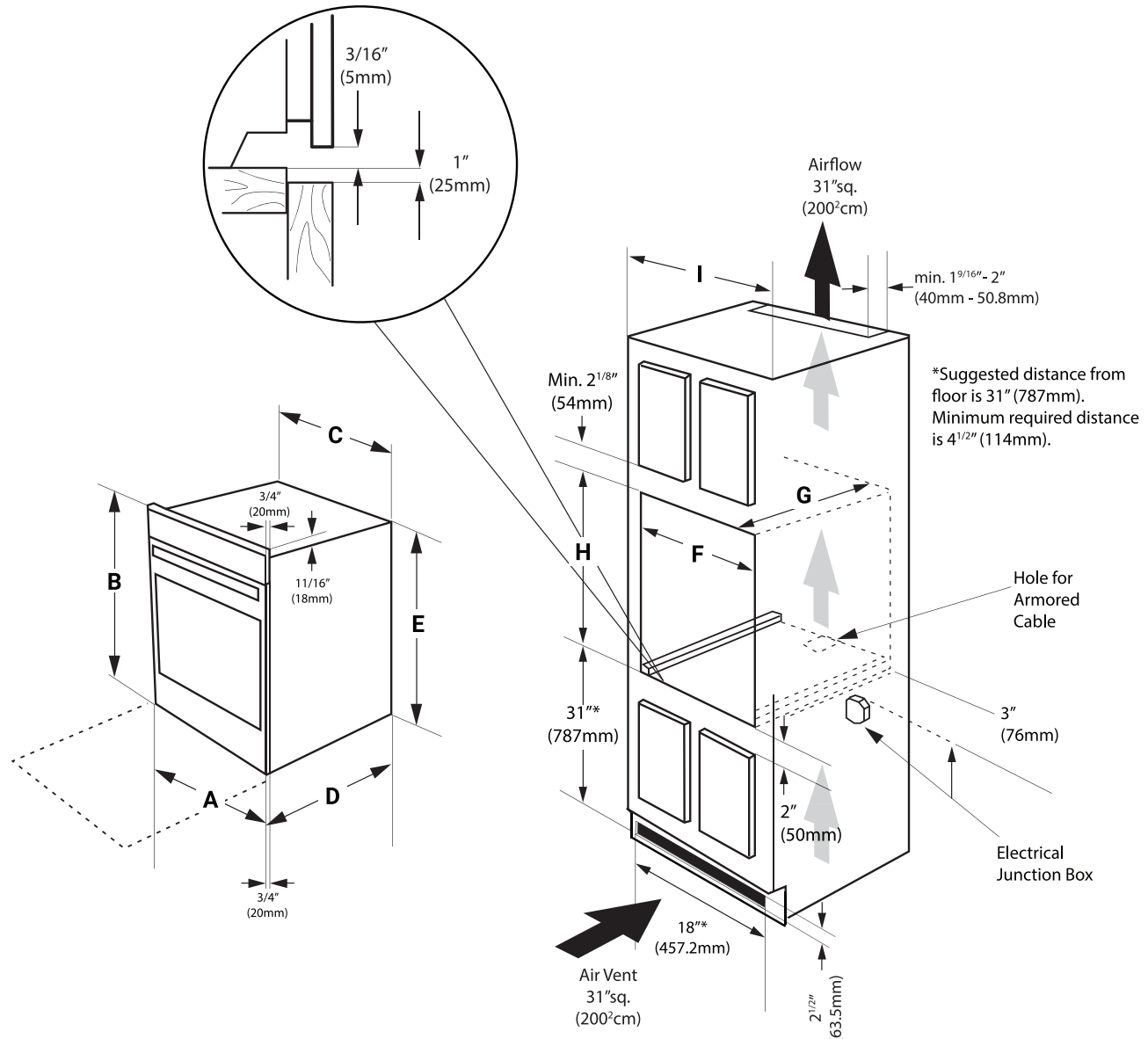
Installation Details - Wall Oven

PRODUCT DIMENSIONS

A	B	C	D	E
23 ¹ / ₂ " (596mm)	23 ⁹ / ₁₆ " (599mm)	22 ¹ / ₁₆ " (560mm)	22 ³ / ₄ " (579mm)	23 ³ / ₁₆ " (589mm)

CUT-OUT DIMENSIONS

F	G	H. Standard Height (**Others, see note 3)	I
22 ¹ / ₈ " (562mm)	23 ¹ / ₂ " (597mm)	Min. 23 ¹ / ₄ " (590mm) - Max. 23 ⁹ / ₁₆ " (599mm)	24" (610mm)



NOTES

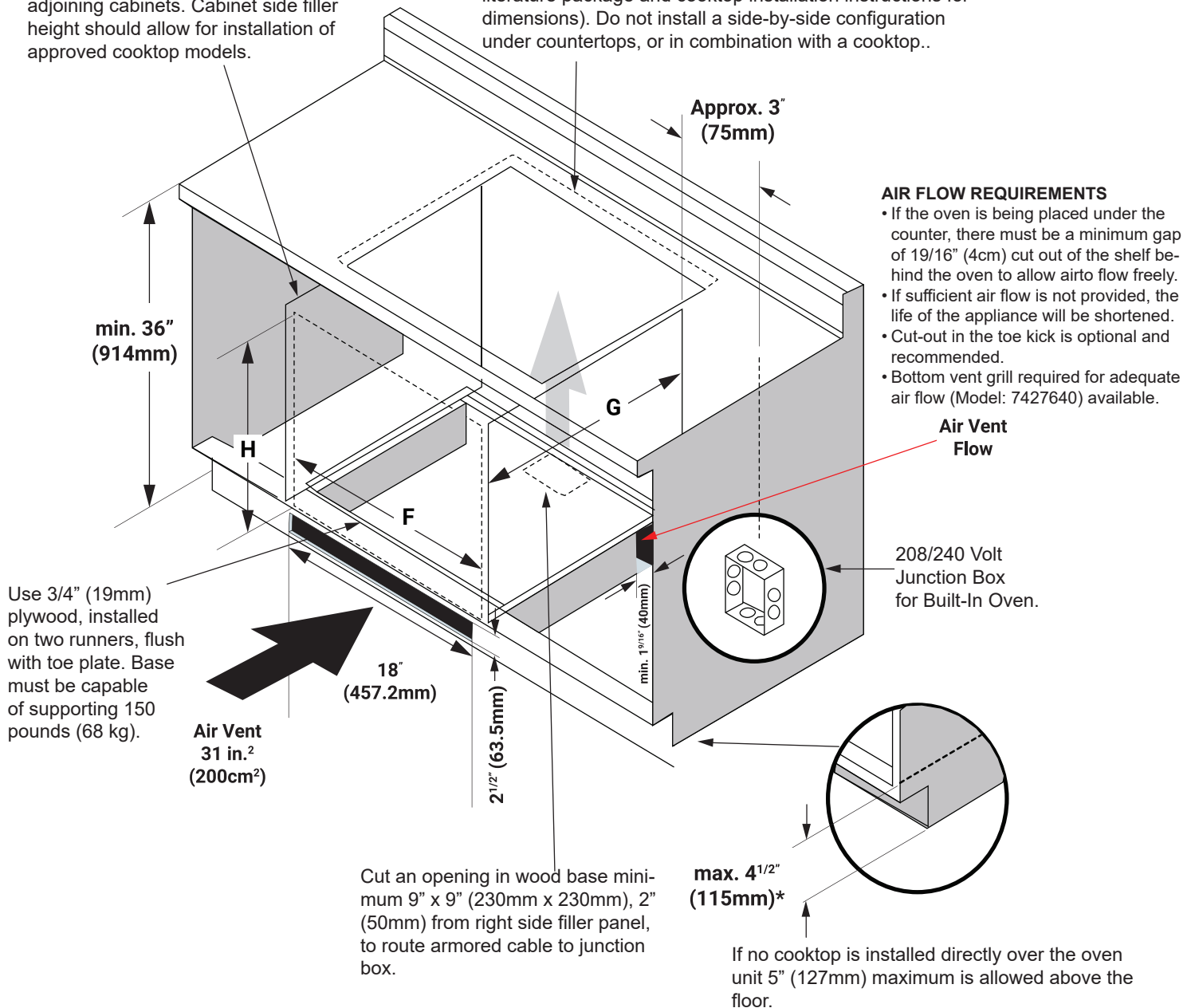
1. Allow at least 21" (533mm) clearance in front of oven door depth when it is open.
2. Dimensions G (Cut-Out Depth) is critical to the proper installation of the built-in oven. If the oven trim does not butt against the cabinet, or if noise is heard on convection models, verify dimension G to assure it is the required depth.
3. For a cut-out height greater than the minimum (H), add one 3" (50mm) wide wood shim of appropriate height to each side of the opening under the appliance side rails.
4. If the cabinet cut-out is more than the minimum dimension, the oven trim must be installed.

Installation Details - Under Counter

CUT-OUT DIMENSIONS			
	F - WIDTH	G - DEPTH	H - HEIGHT
	23 ¹ / ₂ " (596mm)	22 ¹ / ₈ " (562mm)	23 ¹ / ₂ " (597mm)
			Min. 23 ¹ / ₄ " (590mm) - Max. 23 ⁹ / ₁₆ " (599mm)

Cabinet side filler panels are necessary to isolate the unit from adjoining cabinets. Cabinet side filler height should allow for installation of approved cooktop models.

Only certain cooktop models may be installed over certain built-in electric oven models. Approved cooktops and built-in ovens are listed by the MFG ID number and product code (see the insert sheet included in the literature package and cooktop installation instructions for dimensions). Do not install a side-by-side configuration under countertops, or in combination with a cooktop..



- AIR FLOW REQUIREMENTS**
- If the oven is being placed under the counter, there must be a minimum gap of 19/16" (4cm) cut out of the shelf behind the oven to allow air to flow freely.
 - If sufficient air flow is not provided, the life of the appliance will be shortened.
 - Cut-out in the toe kick is optional and recommended.
 - Bottom vent grill required for adequate air flow (Model: 7427640) available.

Air Vent Flow

208/240 Volt Junction Box for Built-In Oven.

Air Vent
31 in.²
(200cm²)

max. 4¹/₂"
(115mm)*

If no cooktop is installed directly over the oven unit 5" (127mm) maximum is allowed above the floor.

Cut an opening in wood base minimum 9" x 9" (230mm x 230mm), 2" (50mm) from right side filler panel, to route armored cable to junction box.

Use 3/4" (19mm) plywood, installed on two runners, flush with toe plate. Base must be capable of supporting 150 pounds (68 kg).

AEG

WARRANTY INFORMATION

AEG Appliances are designed and manufactured to the highest standards. Each appliance is covered by a comprehensive 2-year parts and labour warranty. Refer to product warranty policy for complete terms and conditions.

FOR PARTS & SERVICE

Euro-Parts & Service

39822 Belgrave Road, Belgrave, ON. N0G 1E0 1 866 722 2262

www.euro-parts.ca • parts@euro-parts.ca • service@euro-parts.ca

AEG appliances are imported and distributed in North America by Euro-Line Appliances Inc. For more information, please visit one of our showrooms or www.ela.ca

EURO-LINE APPLIANCES INC.

871 Cranberry Court
Oakville, ON L6L 6J7
Tell: 905.829.3980
Toll-Free: 1.800.421.6332
Email: info@ela.ca

EURO-LINE APPLIANCES INC.

101-1014 Homer St.
Vancouver, BC V6B 2W9
Tell: 604.235.3980
Toll-Free: 1.855.352.9378
Email: infowest@ela.ca