

AVW-308CS2 30" WALL MOUNT HOOD

AVIVA



CONTROLS AND FUNCTIONS

Control	Soft touch with LCD display
Lighting	2 bulbs, 3W LED
Power and speed	860 CFM, 6-speeds
Sound level	Speed 1, 2.4 sones Speed 6, 6.2 sones
Filter Type	2 aluminium micro hole filters and stainless steel baffle filters
Duct transition	6" and 8" round top
Chimney	Included, up to 9'0" ceilings
Power-off Delay Timer	Yes
Clean Filter Reminder	Yes

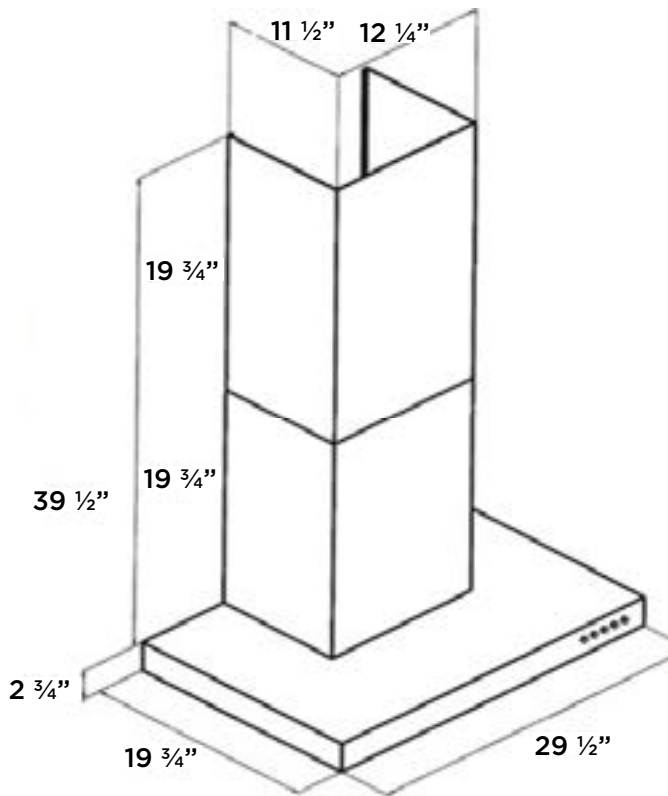
SPECIFICATIONS AND DIMENSIONS

Dimensions	29 1/2" (W) x 19 3/4" (D) x 2 3/4" (H)
Stainless steel grade	201
Electrical requirements	120V / 60Hz / 2.7A
Accessories (optional)	AD-800S2 (Chimney extension, 800 mm high, replaces the upper portion of the standard chimney)
Warranty	1-year parts and labour
UPC code	628173080331

AVW-308CS2
30" WALL MOUNT HOOD

AVIVA

DIMENSIONS

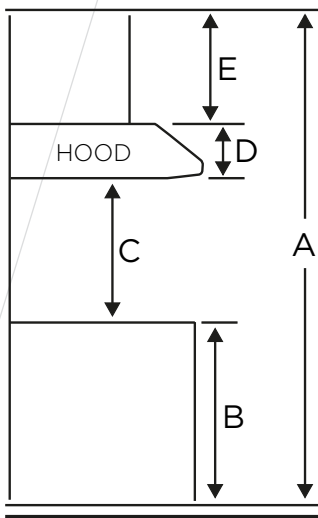


DUCT TRANSITION

6" and 8" round top



INSTALLATION



A	Floor to ceiling height	VARIABLE
B	Floor to counter top height (standard)	36"
C	Recommended height between cooking surface and bottom of the hood	28" to 30"
D	Hood height	2 3/4"
E	Chimney height (standard)	19 3/4" to 39 1/2"