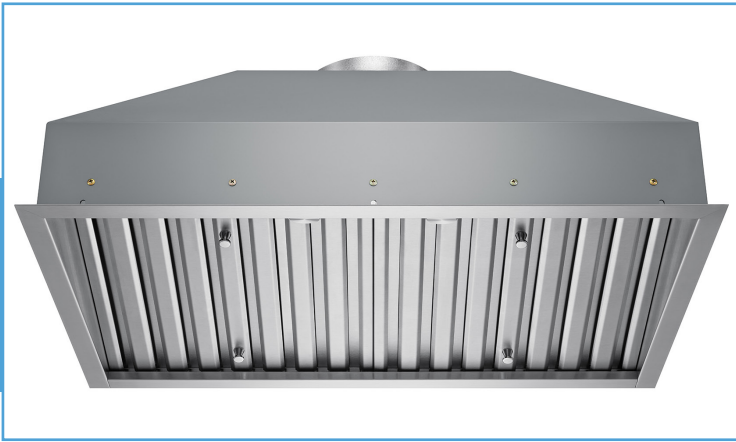




# Q5 30" | 36" | 42" | 48" INSERT



## FEATURED HIGHLIGHTS

### POWERFUL & QUIET 4-SPEED BLOWER

Remove smoke effectively.

### LIFETIME MOTOR WARRANTY

Guaranteed to keep your kitchen fresh.

### DIMMABLE LED ILLUMINATION

Never miss a moment.

### EASY TO INSTALL

With industry-leading instructions.

## TECHNICAL SPECIFICATIONS

**Body:** Stainless Steel (304) (1mm)

**Power Rating:** 120 V / 60 Hz (USA & Canada standard)

**General Input Power:** 180 W + (# of Lights x 5W)

**Motor Input Power:** 180 W

**Motor Revolution:** 800 RPM to 1300 RPM ( $\pm 10\%$ )

**Levels Of Speed Control:** 4 Levels

**Maximum Airflow:** 600 CFM (6") / 750 CFM (8")

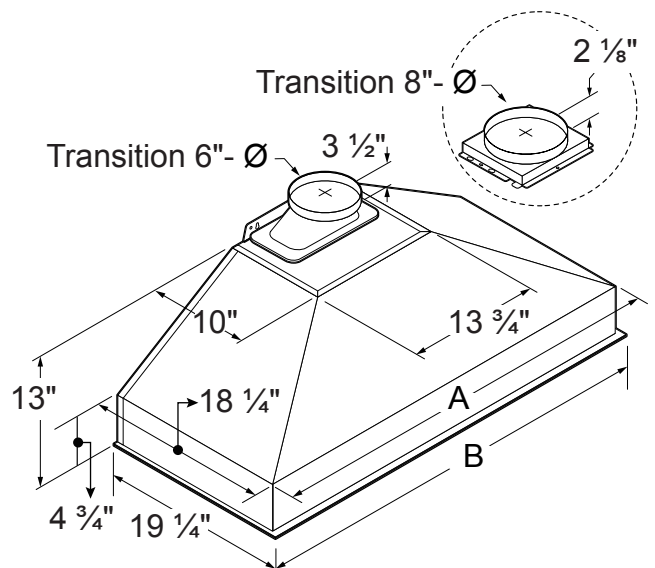
**Noise Level (Min/Max):** 1.0 Sones / 4.5 Sones

**Weight:** 40 lbs. - Increase by 5 lbs. every size up

## CONTROLS



## DIMENSIONS



## VENTILATION DETAILS

**Duct Direction:** Top Exhaust or Back Exhaust

**Filtration Type:** Stainless Steel Filters + Grease Trap

**Duct Type:** 6" Round / 8" Round

**Dishwasher-safe:** Yes

**Light Type:** LED

**Controls:** Mechanical Switches with Hidden Design

## CERTIFICATIONS

cETLus

## WARRANTY

5 Year Parts

	30"	36"	42"	48"
A	28 1/4"	34 1/4"	40 1/4"	45 3/4"
B	29 1/4"	35 1/4"	41 1/4"	47"