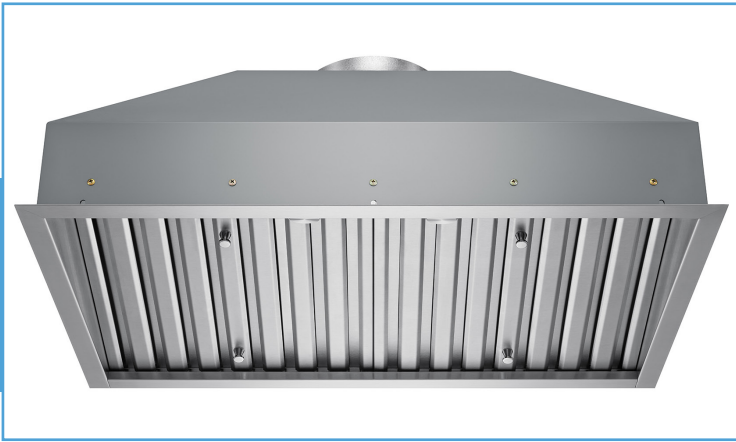




Q5 30" | 36" | 42" | 48" INSERT



FEATURED HIGHLIGHTS

POWERFUL & QUIET 4-SPEED BLOWER

Remove smoke effectively.

LIFETIME MOTOR WARRANTY

Guaranteed to keep your kitchen fresh.

DIMMABLE LED ILLUMINATION

Never miss a moment.

EASY TO INSTALL

With industry-leading instructions.

TECHNICAL SPECIFICATIONS

Body: Stainless Steel (304) (1mm)

Power Rating: 120 V / 60 Hz (USA & Canada standard)

General Input Power: 180 W + (# of Lights x 5W)

Motor Input Power: 180 W

Motor Revolution: 800 RPM to 1300 RPM ($\pm 10\%$)

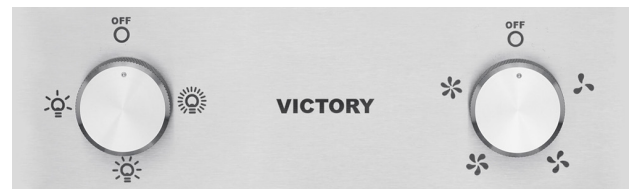
Levels Of Speed Control: 4 Levels

Maximum Airflow: 600 CFM (6") / 750 CFM (8")

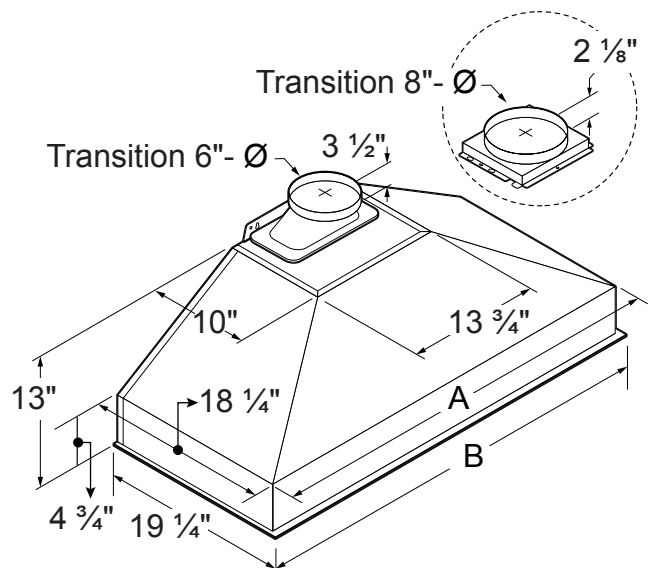
Noise Level (Min/Max): 1.0 Sones / 4.5 Sones

Weight: 40 lbs. - Increase by 5 lbs. every size up

CONTROLS



DIMENSIONS



	30"	36"	42"	48"
A	28 1/4"	34 1/4"	40 1/4"	45 3/4"
B	29 1/4"	35 1/4"	41 1/4"	47"

VENTILATION DETAILS

Duct Direction: Top Exhaust or Back Exhaust

Filtration Type: Stainless Steel Filters + Grease Trap

Duct Type: 6" Round / 8" Round

Dishwasher-safe: Yes

Light Type: LED

Controls: Mechanical Switches with Hidden Design

CERTIFICATIONS

cETLus

WARRANTY

5 Year Parts