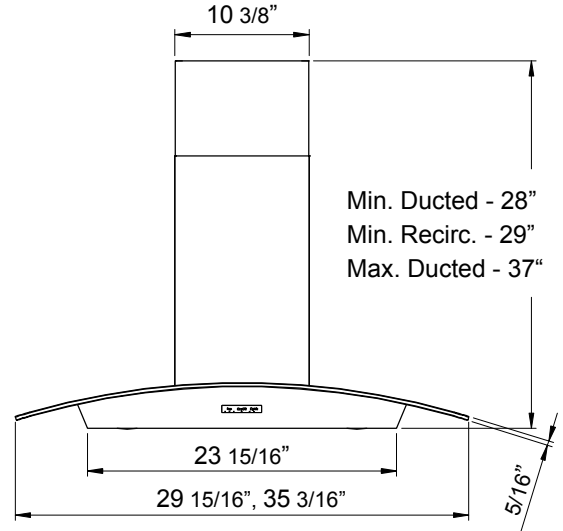
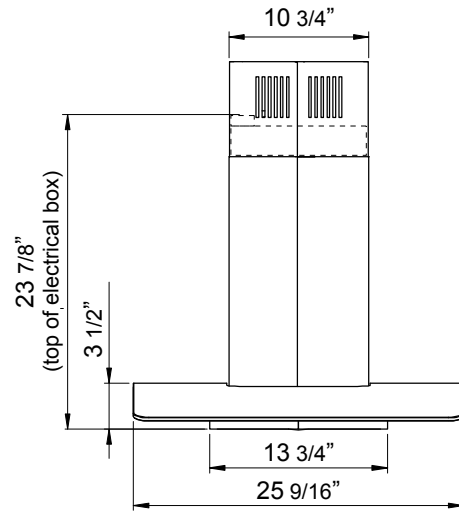


BRISAS BML ISLAND

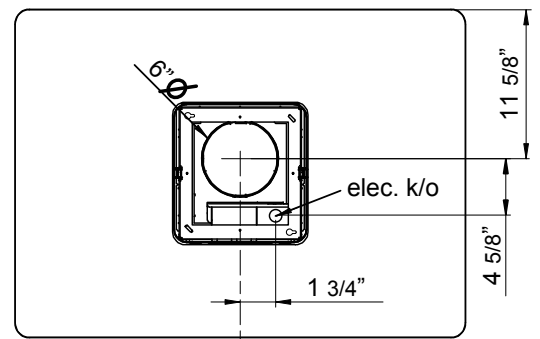
brisas
BY ZEPHYR
BRISASBYZEPHYR.COM



FRONT



SIDE



TOP

BRISAS BML ISLAND

brisas
BY ZEPHYR
BRISASBYZEPHYR.COM

MODEL

Stainless Steel w/ Glass canopy	BML-E30BG	BML-E36BG
Size	30"	36"

BLOWER PERFORMANCE

Blower CFM	600	600
Sones	6	6
ACT 390 CFM	Yes	Yes
ACT 290 CFM	Yes	Yes

FEATURES

ACT™ Technology	Yes	Yes
Controls	Capacitive Touch	Capacitive Touch
Speed Levels	3	3
Auto Delay-Off	Yes	Yes
Lighting	BriteStrip™ LED, 5W x2	BriteStrip™ LED, 5W x2
Dual-Level Lighting	Yes	Yes
Filters	Aluminum Mesh	Aluminum Mesh
Quick-Lock Installation	Yes	Yes
Recirculating Option	Yes	Yes
Extension Duct Cover Option	Yes, Up to 12' Ceiling	Yes, Up to 12' Ceiling

DUCT SPECIFICATIONS

Vertical Internal Blower	6" Round	6" Round
Horizontal Internal Blower	NA	NA
AC POWER	325W, 2.7A	325W, 2.7A
AC POWER INPUT	120V, 60Hz	120V, 60Hz

OPTIONAL ACCESSORIES

Recirculating Kit	BRC-0007	BRC-0007
Extension Duct Cover	B1C-00ML	B1C-00ML

MOUNTING HEIGHT RANGE*	24" - 34"	24" - 34"
------------------------	-----------	-----------

WARRANTY	1 years parts, 1 year labor	1 years parts, 1 year labor
----------	-----------------------------	-----------------------------

*Mounting height refers to distance between top of a 36" tall cooking surface and bottom of hood.

AIRFLOW CONTROL TECHNOLOGY
is an exclusive feature built into the hood which can limit the maximum blower CFM to meet local code requirements.

Specifications subject to change, check zephyronline.com for up to date information.
Zephyr Ventilation | 2277 Harbor Bay Parkway, Alameda, CA 94502 | 888.880.VENT
support@brisasbyzephyr.com

DEC20.0101

