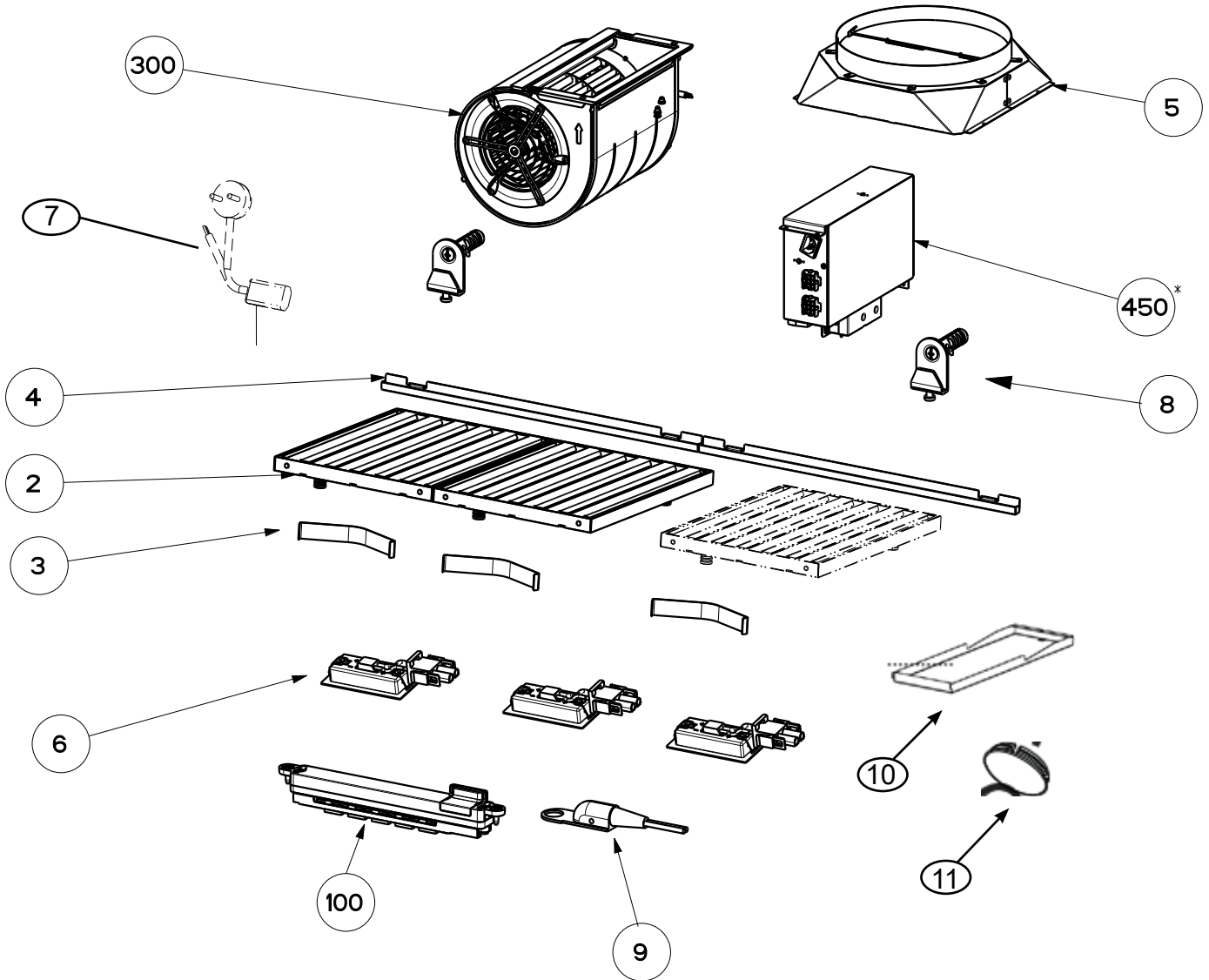


BREVA PRO 11 (Starting C Serial #)

all components



| | Model Number | BREV301SS600 | BREV361SS600 | |
|-----|------------------------------------------|--------------|--------------|------------------|
| key | description | 30 Stainless | 36 Stainless | Qty Req. |
| 2 | Baffle grease filters with knobs (Breva) | 133.0627.912 | 133.0627.912 | 2 (30"), 3 (36") |
| 3 | Grease Filter Springs | 133.0686.928 | 133.0686.928 | 2 (30"), 3 (36") |
| 4 | Grease Rail | 133.0686.584 | 133.0686.494 | 2 |
| 5 | 8 inch damper and transition | 133.0643.849 | 133.0643.849 | 1 |
| 6 | LED Lights | 133.0603.761 | 133.0603.761 | 2 (30"), 3 (36") |
| 7 | Power Cord Breva | 133.0351.595 | 133.0351.595 | 1 |
| 8 | Installation Brackets | 133.0686.496 | 133.0686.496 | 2 |
| 9 | Heat sensor (Breva) | 133.0652.762 | 133.0652.762 | 1 |
| 10 | Filter Spacer | 133.0694.061 | NA | 1 |
| 11 | Spacer cover / stopper | 133.0017.608 | NA | 1 |
| 100 | Control switch Kit | 133.0686.582 | 133.0686.582 | 1 |
| 300 | Pro Motor (Breva) | 133.0627.911 | 133.0627.911 | 1 |
| 450 | Main Control Board | 133.0686.583 | 133.0686.583 | 1 |