



Down Draft

- Scotch Brite stainless steel (AISI 304)
- Tempered white or black glass or steel panel
- Perimeter suction
- Touch control + 24 h function
- Led lighting
- Top filter removable and washable
- Motor not included

Available motors

- KACL.798#41F**
Motor 950 m³/h
8034122709833
- KACL.784#46F**
Slim motor 800 m³/h
8034122708218
- KACL.770#41F**
Motor brushless 1100 m³/h
8034122710211
- KACL.797#4AF**
Motor 1300 m³/h
8034122709628
- KACL.786#41F**
External extractor 1000 m³/h
8034122707433
- KACL.796#4AF**
External extractor 1500 m³/h
8034122709611

Falmec recommends using this hoods with panoramic hobs.

Ducted version 90/120 cm
Motor
See available range below
Control
3 speed + boost
Touch control
Lighting
Led stripe 14 W (5500 K)
Energy Class
90 cm, 950 m³/h: B
120 cm, 950 m³/h: C
Sound pressure level
Min. speed
51 dB(A)re1pW
Max. speed
64 dB(A)re1pW
Minimum distance from cooker top
60 mm
Weight (without motor)
90 cm version: 37 kg
120 cm version: 44 kg

Recirculating version 90/120 cm
Motor
Slim Motor
Control
3 speed + boost
Touch control
Lighting
Led stripe 14 W (5500 K)
Energy Class
600 m³/h: C
Sound pressure level
Min. speed
50 dB(A)re1pW
Max. speed
60 dB(A)re1pW
Minimum distance from cooker top
60 mm
Weight (without motor)
90 cm version: 37 kg
120 cm version: 44 kg

Down Draft – 90 cm
White
8034122348087
Down Draft – 90 cm
Black
8034122348100
Down Draft – 90 cm
Steel
8034122348094
Down Draft – 120 cm
White
8034122348544
Down Draft – 120 cm
Black
8034122348551
Down Draft – 120 cm
Steel
8034122348582

Optional accessories

Filter: Carbon.Zeo underbase KACL.930
Filter: cellular charcoal h60 KACL.951

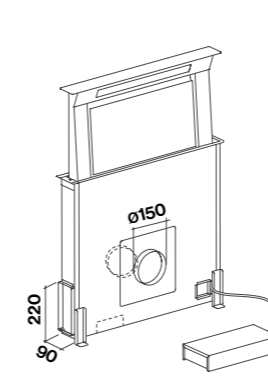
Base grid filter h60 KACL.955

Remote control 105080053

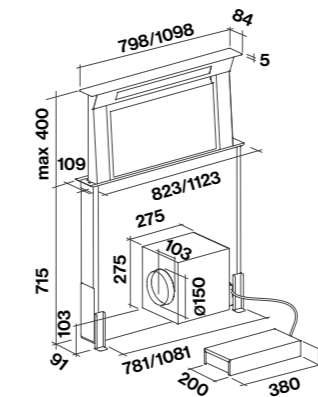
Upper panel finish:
White/Black/Steel



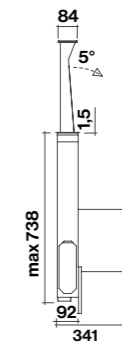
Setup examples.



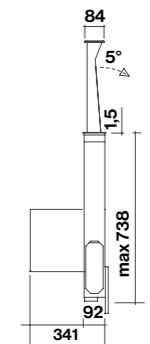
Ducted version (onboard 950 m3/h motor)



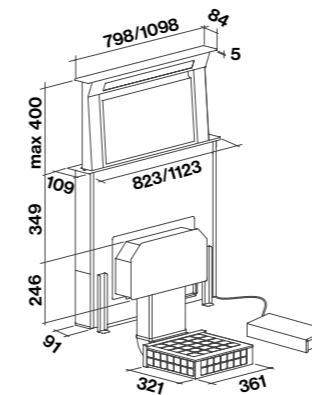
Side view, motor on the front



Side view, motor on the back

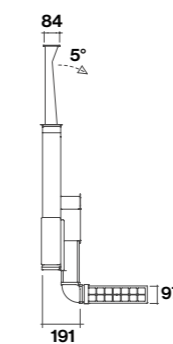


Re-circulation version (Slim motor) with Carbon.Zeo Under base filter (KACL.930)

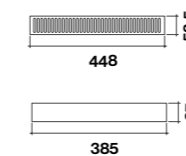


Cut-out size
90 cm: 98 mm x 810 mm
120 cm: 98 mm x 1110 mm

Side view, Slim motor on the front

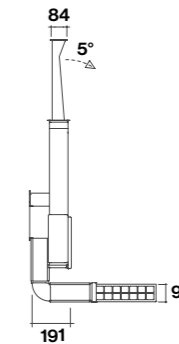


Base board grid, included in the filter kit KACL.930

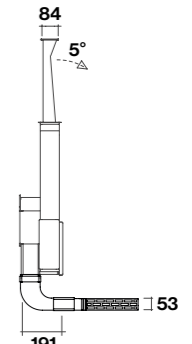


Cut-out size

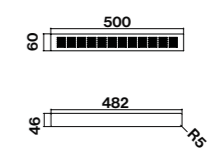
Side view, Slim motor on the back



Side view, Slim motor on the back, Under base slim filter KACL.951 h60



Base board grid, for use with filter KACL.951 h60 (optional)



Cut-out size