

SPARE PARTS LIST

Hisense EUROPE

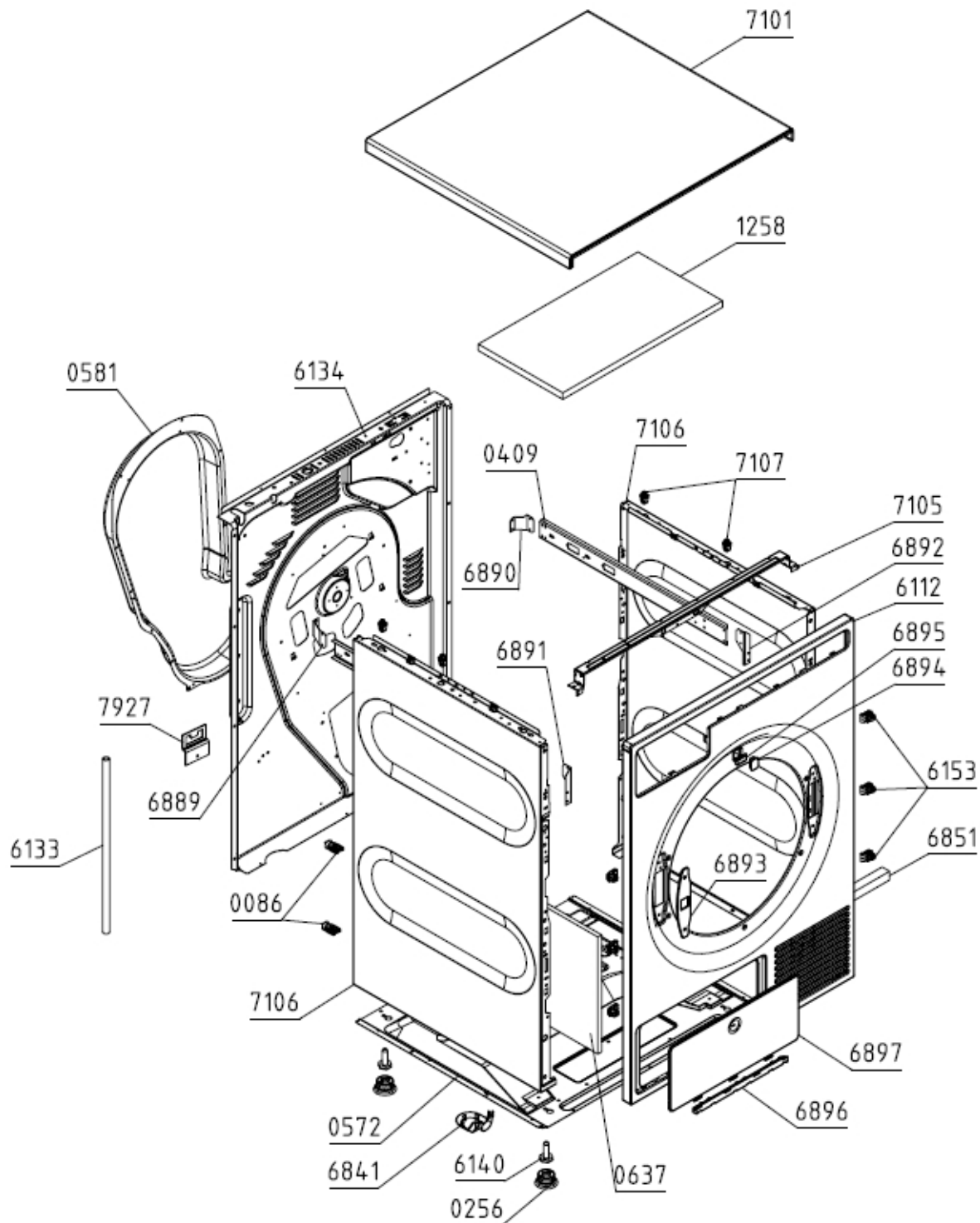
Date 13.09.2022

Time 23:45:18

Type TD75.B280
Model T208C.W.U
Art. No. 588198

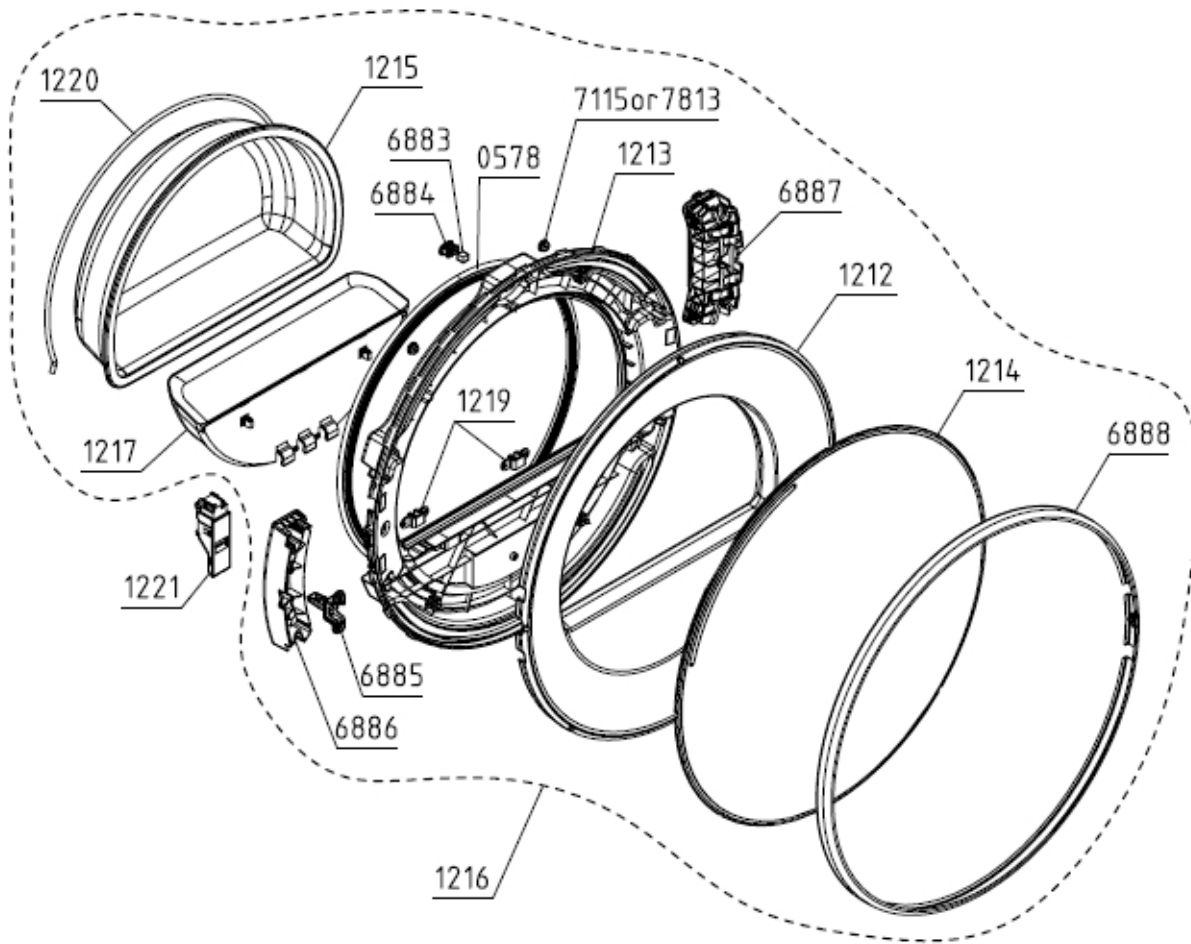
Brand name ASKO
Version 19.09.2017
Service index 01

021734

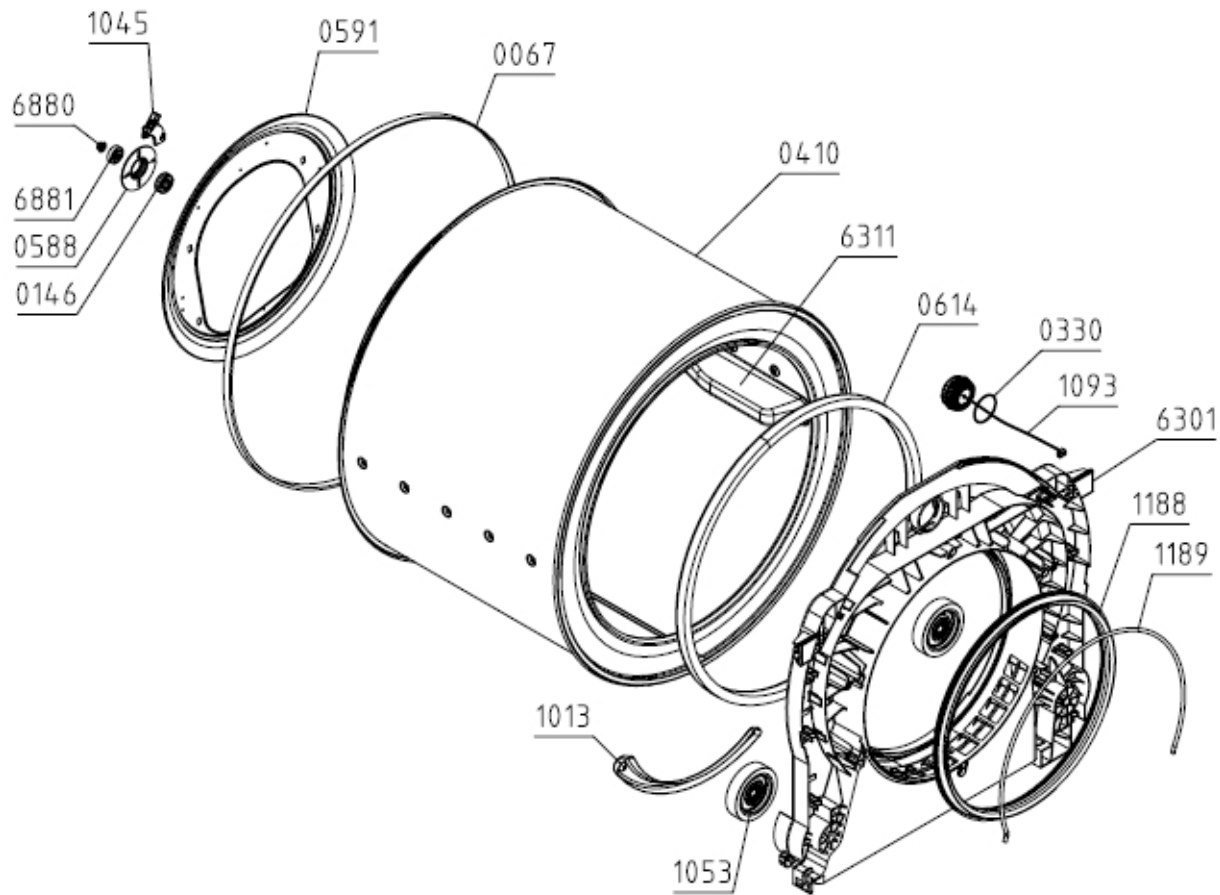


Position	Ident	Spare part description	Quantity	Validity	Extra ID
0086	547104	CLAMP PS	2		
0256	619601	FOOT ACCESSORY SP KPL AW012	2		
0409	609759	PROFILE SPK	2		
0572	563327	DRYER BOTTOM SP/K TD-75 KPL	1		
0581	115203	REAR PANEL COVER	1		
0637	581129	ISOLATION SP/K-1	1		
6112	561943	FRONT PANEL TD-75/85 LA070	1		
6133	412078	HOSE 9X13X2000 UL4	1		
6134	557487	REAR PANEL SP/K TD-75	1		
6140	434964	FOOT TD-70/80 KPL	4		
6153	413850	PANEL HOLDER TD-70	6		
6841	561849	CONDENSER TUBE PROTECTION TD-75	1		
6851	624212	SEALING INSULATION TD-75	1		
6889	557444	PROFILE HOLDER TD-75 RL	1		
6890	557450	PROFILE HOLDER TD-75 RR	1		
6891	557440	PROFILE HOLDER TD-75/85 FL	1		
6892	557441	PROFILE HOLDER TD-75/85 FR	1		
6893	556989	DOOR LOCK COVER TD-75/85 070	1		
6894	556162	DOOR SWITCH HOLDER TD-75/85	1		
6895	563066	MAGNETIC SWITCH ASSY TD-75/85	1		
6896	556207	CONDENSER DOOR COVER HINGE TD-75/85	1		
6897	562086	CONDENSER DOOR COVER ASSY TD-75/85	1		
7101	503175	COVER WMD-70 LA070	1		
7105	537856	COVERSUPPORT TD-75/85	1		
7106	371524	CABINET SIDE PANEL WM-70 LA070	2		
7107	413707	COVER HOLDER WMD-70	4		
7927	450808	KIT TIP GUARD ASSY WMD-80	1		

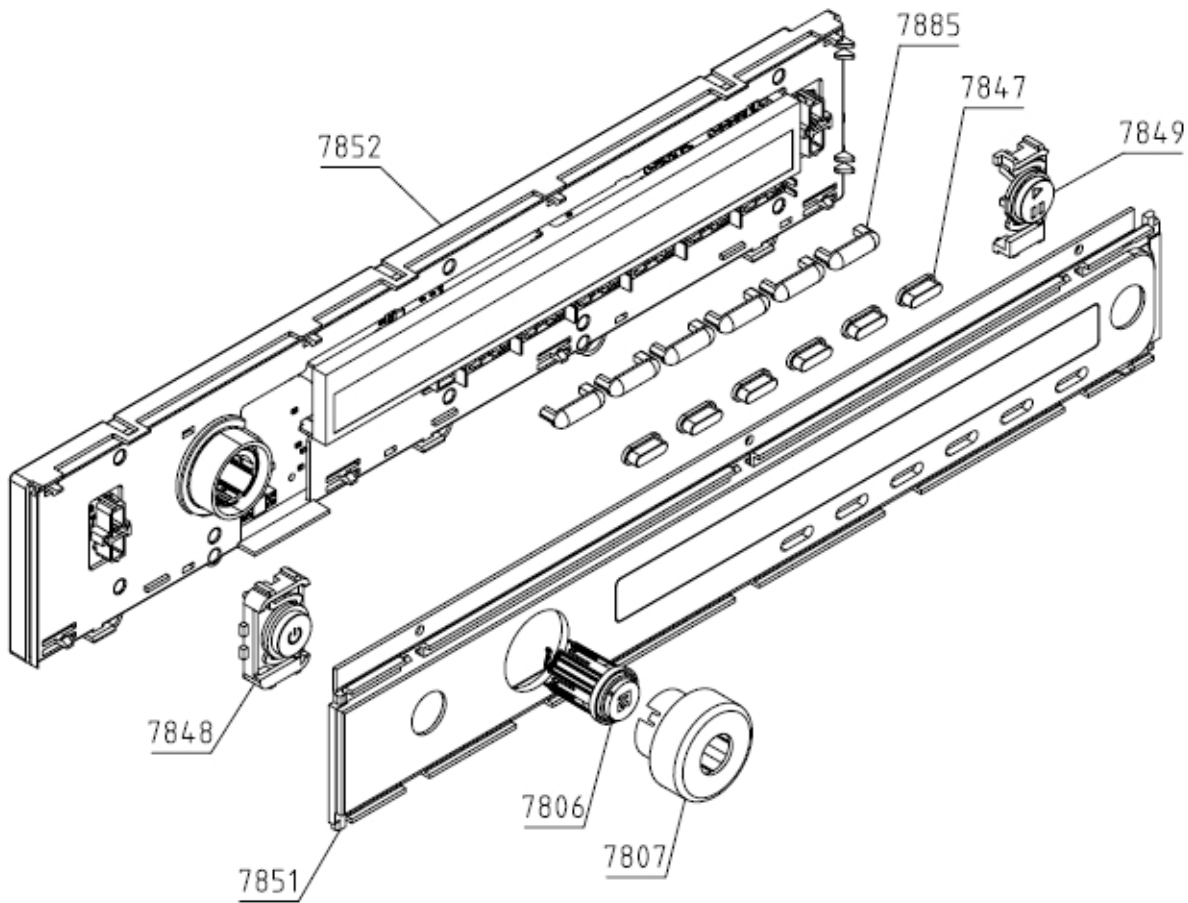
022731



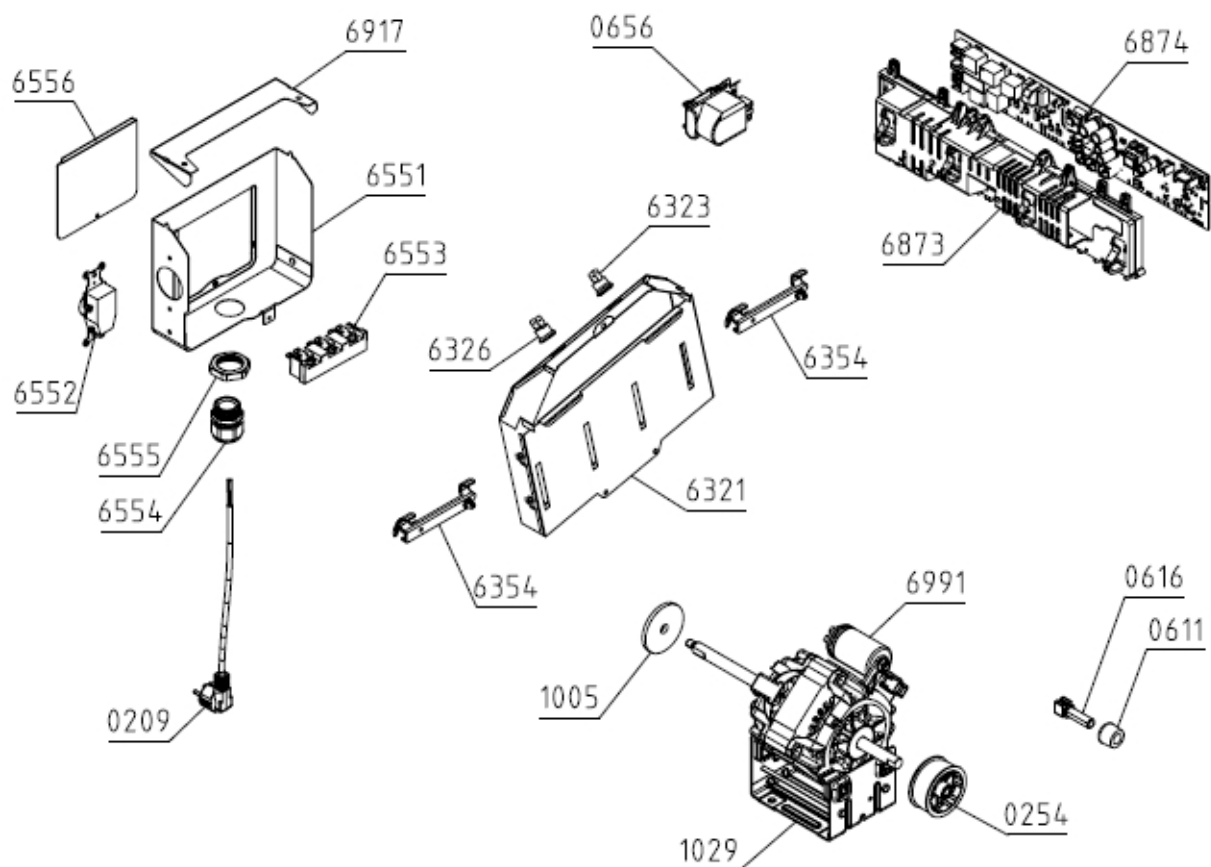
Position	Ident	Spare part description	Quantity	Validity	Extra ID
0578	594873	DOOR SEAL SP-15	1		
1212	623257	DOOR FRAME OUTER 070 TD-75.B SIGN	1		
1213	636572	DOOR FRAME INTERIOR TD-75/85	1		
1214	555919	DOOR COVER TD-75/85	1		
1215	500113	GLASS DOOR SP-15	1		
1216	623254	DOOR TD-75.B 070 ASSY	1		
1217	562854	FILTERING UNIT ASSY TD-75/85 070	1		
1219	500143	FILTER UNIT LATCH SP-15	2		
1220	518055	DOOR SEAL SP/P-15	1		
1221	561850	DOOR SWITCH TD-75/85 070	1		
6883	559064	DOOR SWITCH MAGNET TD-75/85	1		
6884	555942	DOOR SWITCH MAGNET HOLDER TD-75/85	1		
6885	555941	DOOR CATCH TD-75/85	1		
6886	555924	DOOR CATCH SEGMENT TD-75/85	1		
6887	563059	DOOR HINGE SEGMENT ASSY TD-75/85	1		
6888	555875	DOOR RING TD-75/85	1		
7813	536180	DOOR HINGE ABSORBER WM-75/85	4		



Position	Ident	Spare part description	Quantity	Validity	Extra ID
0067	270313	BELT 8PHE 1942 HUTCHINSON	1		
0146	450071	BEARING C&U 6001 2Z	1		
0410	563712	DRUM TD-75 KPL	1		
0588	581147	BEARING HOUSING SP NG	1		
0591	468945	DRUM GASKET-REAR TEF.SP-14	1		
0614	366233	DRUM GASKET-FRONT SP-10	1		
1013	458639	ELECTRODE SP KPL	1		
1045	561959	BRUSH GRAPHITE WITH SUPPORT TD-75/85	1		
1053	273637	SUPPORT WHEEL SP-09	2		
1188	429436	GASKET SP13	1		
1189	456149	GASKET SP-13	1		
6301	681030	AIR DIRECTER TD-75 KPL	1		
6311	563716	RIB TD-75/85	2		
6880	561468	NUT WITH TOOTHED FLANGE	1		
6881	559075	GRAPHITE BRUSH SLIDING RING TD-75/85	1		



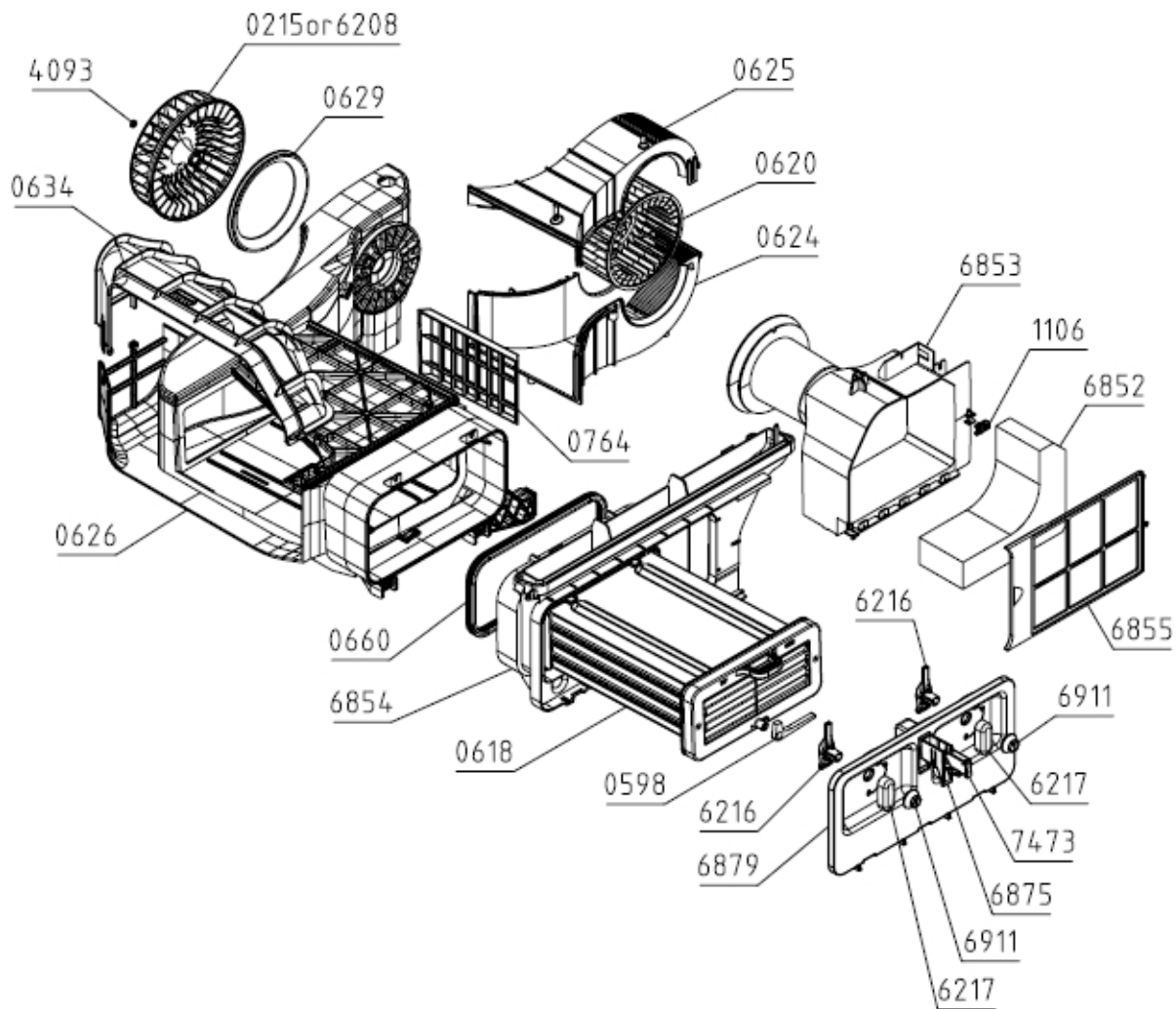
Position	Ident	Spare part description	Quantity	Validity	Extra ID
7806	561293	CONTROL KNOB INNER WMD-75.1B 070 UL4	1		
7807	561292	CONTROL KNOB WMD-75.1B 070 UL4	1		
7847	561294	FUNCTION KEY WMD-75.1B 070 UL4	6		
7848	561289	KEY-ON/OFF WMD-75.1B 070 UL4	1		
7849	561291	KEY-START/STOP WMD-75.1B 070 UL4	1		
7851	663690	CONTROL PANEL WMD-75.1B 070 S ASSY	1		
7852	783721	UNIT SUPPLY/CONTROL ASSY 75.B	1		
7885	561264	FUNCTION KEY ABSORBER EPDM WMD-75/85	6		



Position	Ident	Spare part description	Quantity	Validity	Extra ID
0254	830036	BELT PULLEY WITH BEARING	1		
0611	581189	RUBBER SEAL NTC	1		
0616	581213	TEMPERATURE SENSOR .NTC EPCOS	1		
0656	670670	RFI-FILTER	1		
1005	161769	GASKET SP-05	1		
1029	588502	ELECTROMOTOR WELLING 60HZ SP/K TD-75	1		
6321	562792	HEATER 2500W 1F TD-75/85	1		
6323	350493	THERMOSTAT 110STC TD-70	1		
6326	371556	THERMOSTAT 150 MANUEL RESET	1		
6354	414607	HEATER CABLE HOLDER TD-70	2		
6551	562937	HOUSING CONNECTION TD-75/85 US	1		
6552	345486	SOCKET 20A/240V 60HZ	1		
6553	345623	TERMINAL BLOCK EH-4 USA TD	1		
6554	346455	GROMMET 94793	1		
6555	184864	LOCK NUT PG21	1		
6556	503197	COVER CONNECTION TD-70 US	1		
6873	561851	SUPPLY UNIT HOLDER TD/SP-15	1		

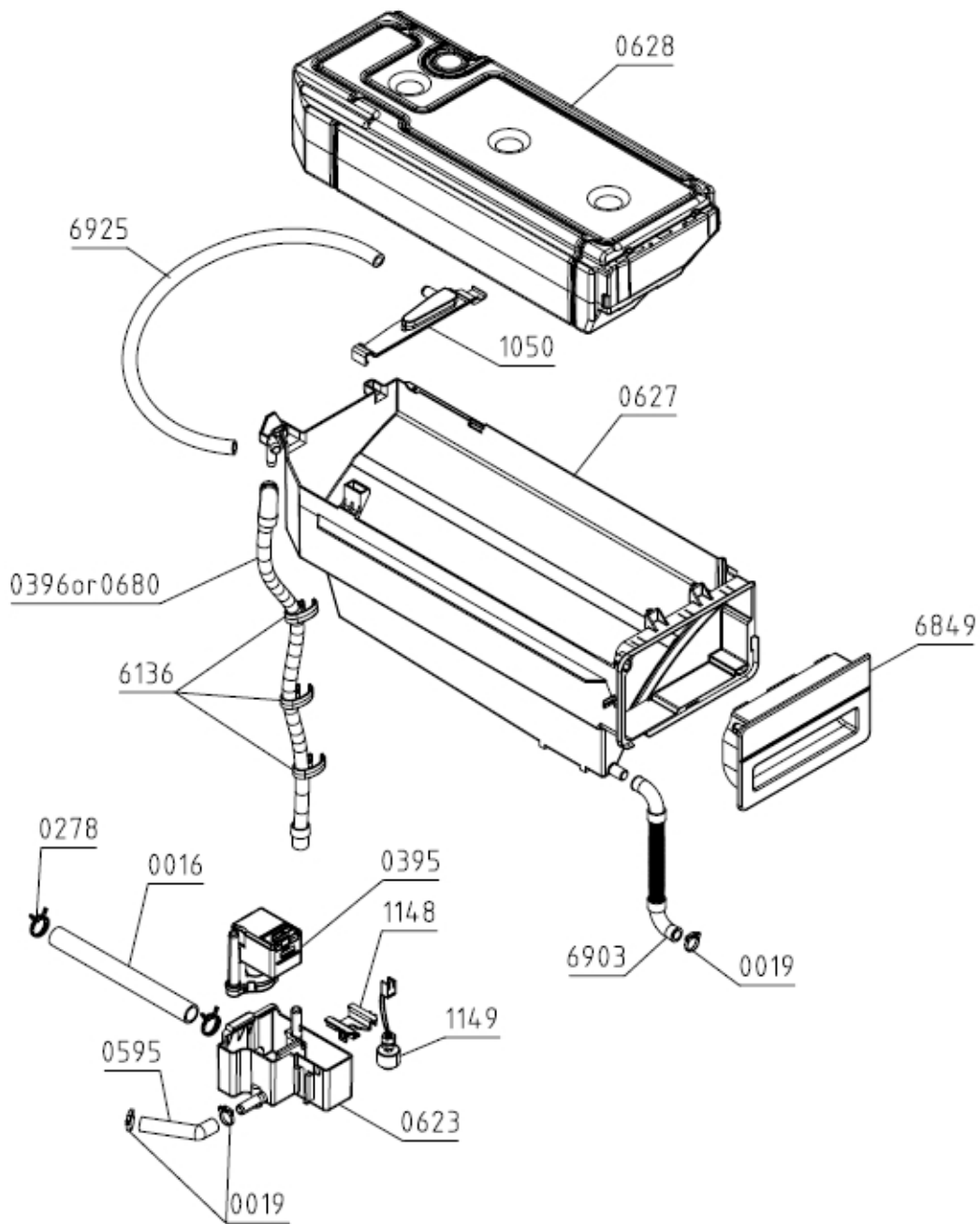
Position	Ident	Spare part description	Quantity	Validity	Extra ID
6874	783721	UNIT SUPPLY/CONTROL ASSY 75.B	1		
6917	427962	GROMMET BOX COVER TD-80 UL	1		

026194



Position	Ident	Spare part description	Quantity	Validity	Extra ID
0598	581114	DOOR LATCH HANDLE SP 329	1		
0618	789793	WATER CONDENSER SP/K-B-19	1		
0620	588701	FAN SP/K-B UL4	1		
0624	588699	COOL FAN HOUSING - LOWER SP UL4	1		
0625	588700	COOL FAN HOUSING - UPPER SP UL4	1		
0626	588702	CONDENSER HOUSING SP/K-B UL4 ASSY	1		
0629	581175	PROCESSED AIR MOUTH	1		
0634	194409	AIR DIRECTER SP/K-B	1		
0660	581116	DOOR SEAL SP	1		
0764	121520	FAN SHIELD	1		
1106	568204	COVER DOOR LATCH 070 SP-10	1		
6208	465840	FAN PZ G TD-80 UL4	1		
6216	413718	HANDLE INDOOR CONDENSER	2		
6217	413717	HANDLE EXTERNAL CONDENSER 2502-B	2		
6852	561898	AIR DUCT SOUND INSULATION TD-75	1		
6853	588698	FRONT AIR DUCT TD-75 TD-75 UL4	1		
6854	624308	AIR DUCT ADAPTER WITH GASKET TD-75	1		
6855	561920	AIR DUCT FILTER TD-75	1		
6875	556250	DOOR LATCH HOLDER TD-75/85	1		
6879	623817	HOUSING DOOR HP WITH GASKET TD-75/85	1		
7473	266150	LOCK	1		

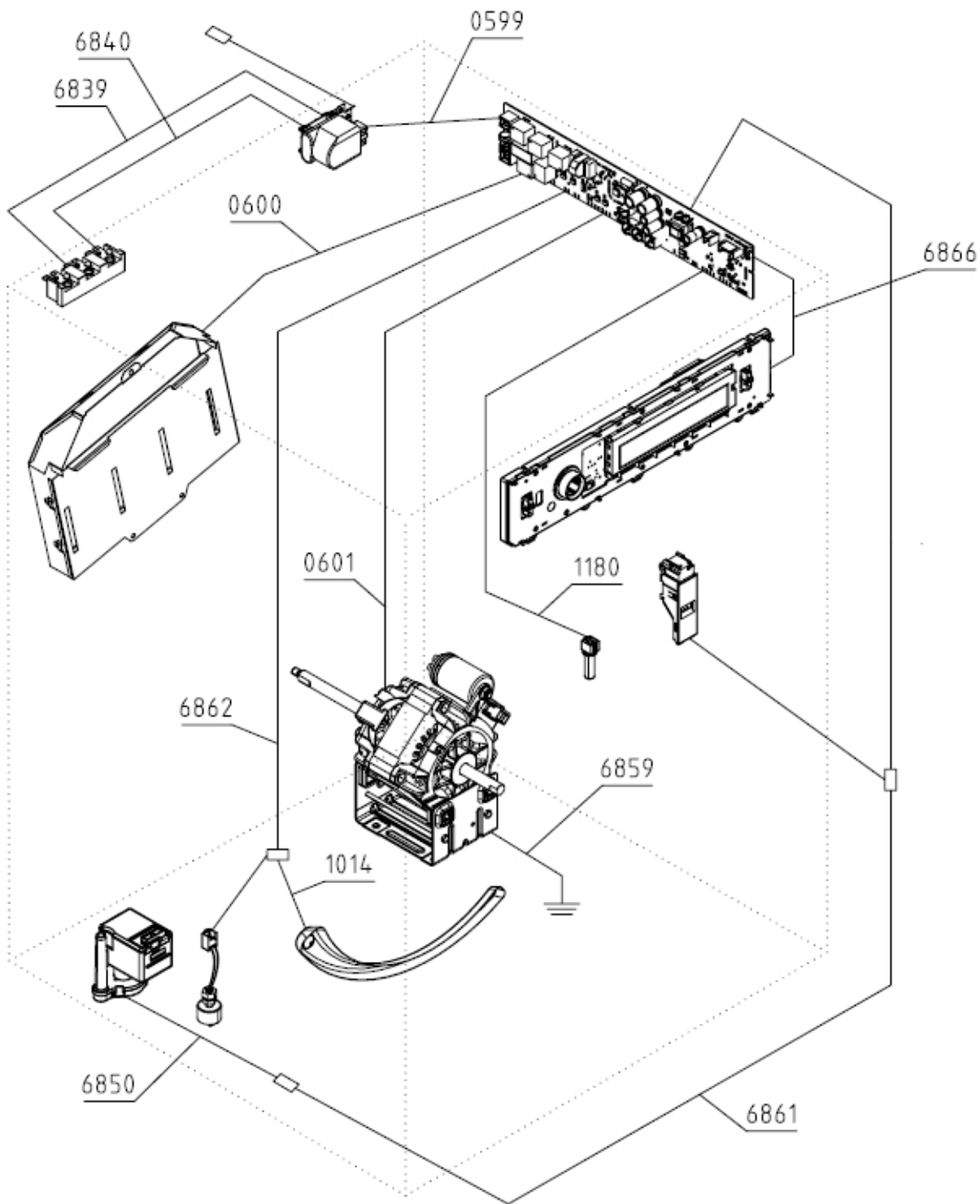
026715



Position	Ident	Spare part description	Quantity	Validity	Extra ID
0016	194400	HOSE SP/K-B D16XD22	1		
0019	314400	CLAMP - PLASTIC D 16	3		
0278	194404	CLAMP SP/K-B D23	2		
0395	624262	MOTOR PUMP HANYU 60HZ SP/K UL	1		
0396	562088	DISCHARGE HOSE SP/K-B TD-75	1		
0595	194414	CONDENSER HOSE SP/K-B	1		
0623	564570	PUMP HOUSING SP/K-B TD-75	1		
0627	557379	VESSEL HOUSING TD-75	1		
0628	557381	VESSEL TD-75/85	1		
1050	273658	VESSEL HOUSING ACCESSORY SP/K-09	1		
1148	336999	FLOATER COVER SP/K-B-10	1		

Position	Ident	Spare part description	Quantity	Validity	Extra ID
1149	349901	FLOAT SP/K-B-10	1		
6136	413849	HOSE HOLDER TD-70	3		
6849	571200	COND.CONT.HAN.SPK 070 TD75.1B ASSY SIGN	1		
6903	562219	HOSE SP/K-B TD-75	1		
6925	472304	HOSE 15X9X500 PVC	1		

028109



Position	Ident	Spare part description	Quantity	Validity	Extra ID
0599	563949	WIRING HARNESS POWER SUPPLY TD-75 UL4	1		
0600	562228	WIRING HARNESS HEATER TD-75 UL4	1		
0601	562227	WIRING HARNESS ELECTROMOTOR TD-75 UL4	1		
1014	591015	CONDUCTOR	1		
1180	562380	WIRING HARNESS - NTC TD-75 UL4	1		
6839	590935	CONDUCTOR L12-F2 TD-75/85 US	1		
6840	590936	CONDUCTOR L22-F1 TD-75/85 US	1		
6850	570965	WIRING HARNESS PUMP PART SP/K TD-75	1		

Position	Ident	Spare part description	Quantity	Validity	Extra ID
6859	574366	WIRING HARNESS EM EARTHING TD-75	1		
6861	562832	WIRING HAR.PUMP/DOOR SWITCH SP/K TD-75	1		
6862	562833	WIRING HAR.HUMID.SENSOR/FLOAT HP TD-75	1		
6866	570964	WIRING HARNESS CONNECTION PB-UI TD-75	1		