

# SPARE PARTS LIST

**Hisense** EUROPE

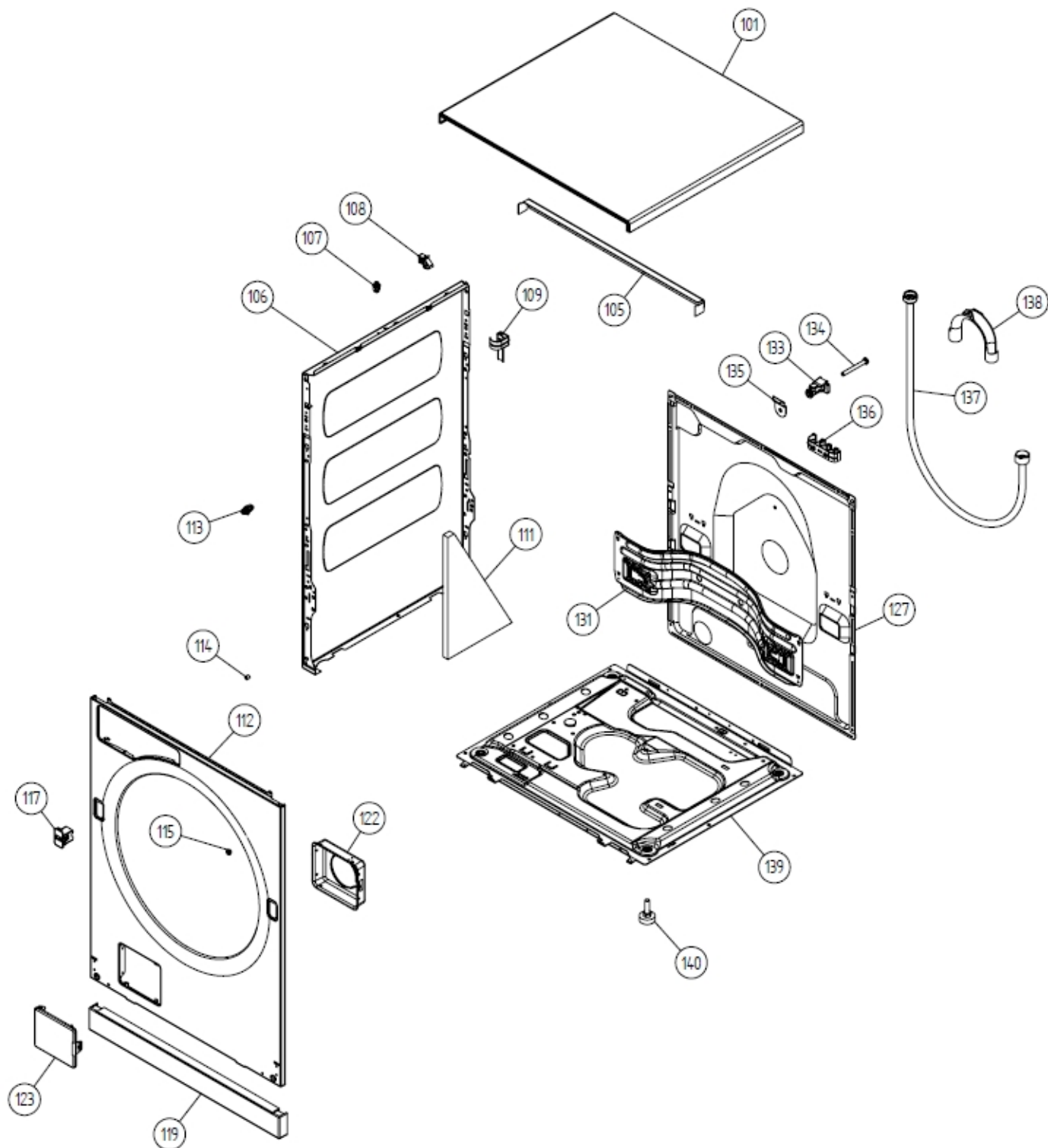
Date 20.04.2023

Time 23:26:40

---

|                 |                 |                      |            |
|-----------------|-----------------|----------------------|------------|
| <b>Type</b>     | WM60.3          | <b>Brand name</b>    | ASKO       |
| <b>Model</b>    | W6903 US -white | <b>Version</b>       | 14.06.2013 |
| <b>Art. No.</b> | 340873          | <b>Service index</b> | 01         |

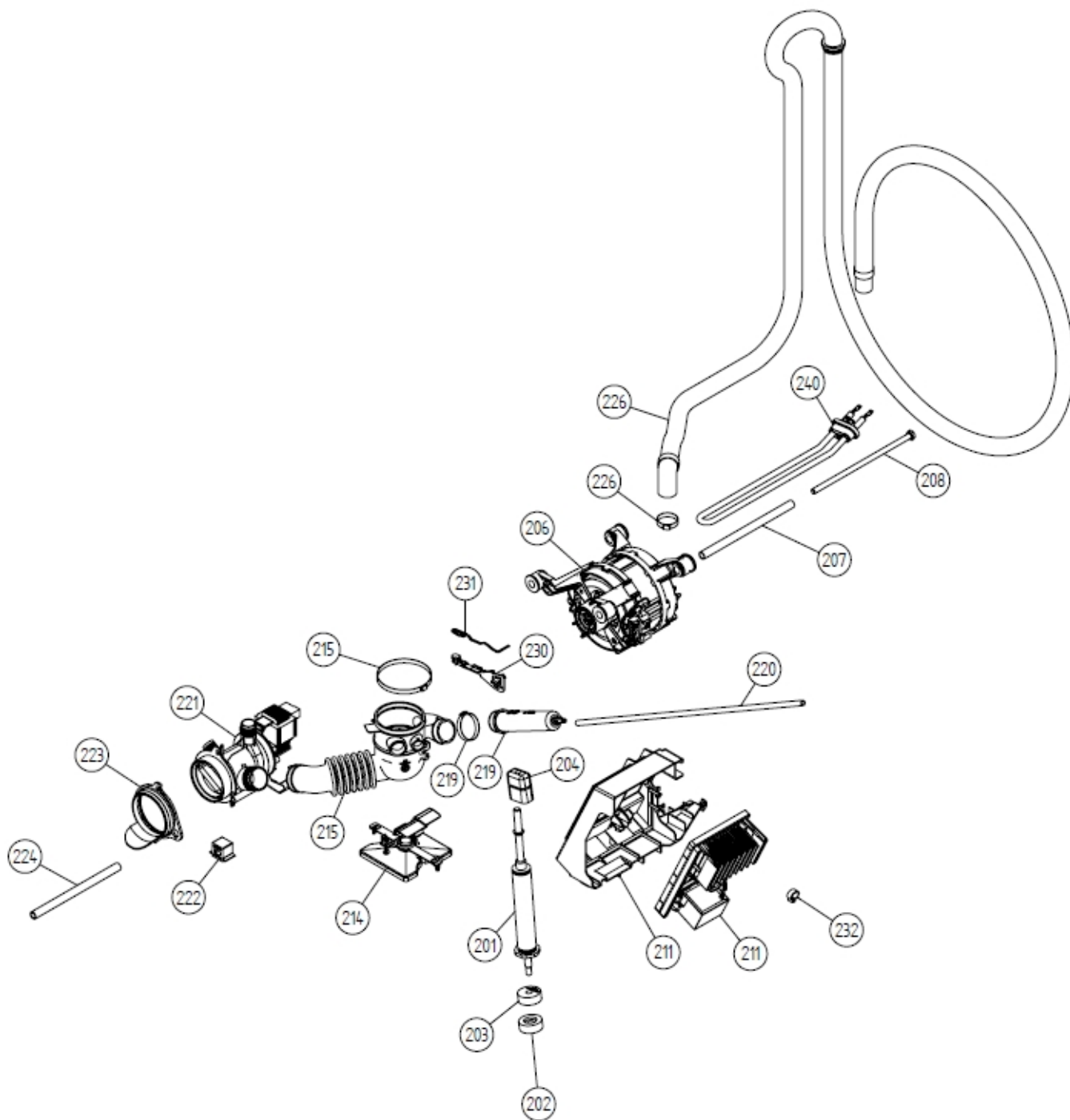
**751891**



| Position | Ident  | Spare part description      | Quantity | Validity | Extra ID |
|----------|--------|-----------------------------|----------|----------|----------|
| 101      | 503175 | COVER WMD-70 LA070          | 1        |          |          |
| 101-a    | 408582 | SCREW RTR ST4,2X9,5 FZB T20 | 3        |          | 8902362  |
| 101-b    | 104720 | LOCK WASHER AZ 4,3 GALV     | 2        |          | 8901413  |
| 105      | 503181 | COVERSUPPORT L553,5 WM-70   | 1        |          | 8064198  |
| 105-a    | 469185 | GASKET EPDM 3X9X1800        | 1        |          |          |

| Position | Ident  | Spare part description                   | Quantity | Validity | Extra ID     |
|----------|--------|--|----------|----------|--------------|
| 106      | 441834 | SIDE PLATE COMPL. WM20                   | 2        |          |              |
| 107      | 413707 | COVER HOLDER WMD-70                      | 2        |          |              |
| 108      | 413814 | WIRING HARNESS HOLDER WMD-70 UL4         | 2        |          | 8061916      |
| 109      | 248525 | HOLDER HOSE, SIDE PLATE UL4              | 2        |          | 8061713      |
| 111      | 252181 | SOUND DEAD.SHEET OUTLET HOSE             | 1        |          | 8064017      |
| 112      | 415059 | FRONT PAN.LOW W.FILT.PR.WM-70 ASSY LA070 | 1        |          | 8080385-0    |
| 112-a    | 408582 | SCREW RTR ST4,2X9,5 FZB T20              | 2        |          | 8902362      |
| 112-b    | 247998 | SCREW RTS ST 4,2X13 FZB T20              | 2        |          | 8900327      |
| 113      | 412257 | FRONT PANEL LATCH WM-70 UL4              | 2        |          | 8080197      |
| 114      | 228893 | PLASTIC GUIDE FRONT PLATE                | 2        |          | 8064222      |
| 114-a    | 247998 | SCREW RTS ST 4,2X13 FZB T20              | 2        |          | 8900327      |
| 115      | 252147 | INSERT                                   | 2        |          | 8061741      |
| 117      | 261953 | DOOR LATCH BK070                         | 1        |          | 8076077-0    |
| 117      | 261953 | DOOR LATCH BK070                         | 1        |          | 8076077-0    |
| 119      | 414433 | PLINTH WM-70                             | 1        |          | 8076080-0    |
| 122      | 416079 | FILTER PROTECTION PICKLED WM-70          | 1        |          | 8061785      |
| 123      | 503179 | FILTER COVER 0502-B WM-70                | 1        |          | 8061657-0-UL |
| 127      | 441778 | REAR PANEL WM20                          | 1        |          |              |
| 127-a    | 245020 | PLUG D7                                  | 1        |          | 8061959      |
| 127-b    | 408582 | SCREW RTR ST4,2X9,5 FZB T20              | 11       |          | 8902362      |
| 131      | 237800 | TRANSPORT BEAM                           | 1        |          | 8061693      |
| 131-a    | 408582 | SCREW RTR ST4,2X9,5 FZB T20              | 4        |          | 8902362      |
| 131-b    | 104720 | LOCK WASHER AZ 4,3 GALV                  | 1        |          | 8901413      |
| 133      | 255946 | TRANSPORT SLEEVE ASSY. WH.UL             | 3        |          | 8064206-UL   |
| 134      | 247911 | SCREW BUFO 8.8 8X70 GALV                 | 3        |          | 8901037      |
| 135      | 439793 | LOCK SUPPORT WASHER WMD-20               | 3        |          | 8061767      |
| 136      | 413811 | HOSE HOLDER WMD-70                       | 2        |          | 8065773      |
| 137      | 254162 | SUPPLY HOSE L1500 D15X2,5 3/4-3/4 11,5US | 1        |          | 8056950      |
| 138      | 498220 | DISCHARGE HOSE BOW POM                   | 1        |          | 8050805      |
| 138-a    | 200282 | CABLE TIE 2,8X1,5X240/210/PA-BK          | 1        |          | 8002263      |
| 139      | 503180 | BOTTOM WM-70                             | 1        |          |              |
| 140      | 499533 | ADJUSTABLE FOOT PS-10 ASSY               | 4        |          | 8059334      |

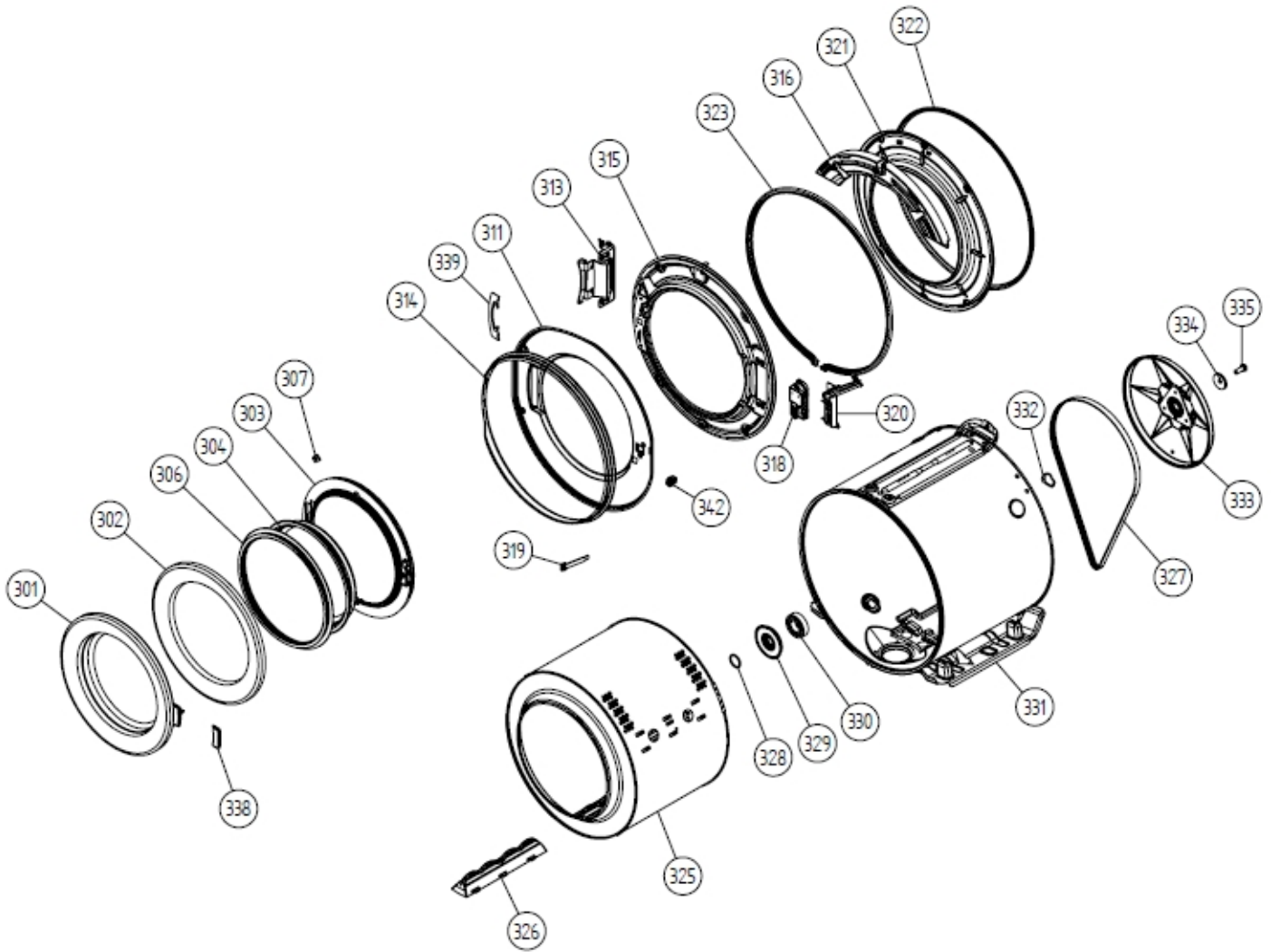
752891



| Position | Ident  | Spare part description    | Quantity | Validity | Extra ID |
|----------|--------|---------------------------|----------|----------|----------|
| 201      | 441889 | SPRING LEG KIT WM20 4 PCS | 1        |          | 8801171  |
| 202      | 252118 | RUBBER BUFFER SPRING LEG. | 4        |          | 8055796  |
| 203      | 252120 | RUBBER BUFFER SPRING LEG. | 4        |          | 8055797  |
| 204      | 252145 | RUBBER DAMPER SPRINGLEG   | 4        |          | 8061668  |
| 206      | 441830 | MOTOR TRI FAZNI           | 1        |          |          |
| 207      | 419002 | BUSH WM-70                | 2        |          | 8058261  |

| Position | Ident  | Spare part description         | Quantity | Validity       | Extra ID |
|----------|--------|--------------------------------|----------|----------------|----------|
| 208      | 237689 | SCREW 8.8 M8X205 FZB           | 2        |                | 8063591  |
| 211      | 268810 | CONTROL UNIT (MOTOR) W. HOLDER | 1        |                | 8082258  |
| 211      | 235058 | HOLDER CONTROL UNIT(MOTOR) UL4 | 1        |                | 8065841  |
| 211-a    | 247984 | SCREW MRT-TT 4X10 FZB T20      | 1        |                | 8901097  |
| 211-b    | 273763 | WASHER SRB 4,3X12X1 GALV       | 1        |                | 8901322  |
| 211-c    | 268115 | HOLDER CONTROL UNIT(MOTOR) UL  | 1        |                | 8080526  |
| 214      | 251802 | OVERFLOW PROTECTION UL4 WM2    | 1        |                | 8061620  |
| 215      | 441935 | CONNECT HOSE ASS               | 1        |                | 8801516  |
| 215      | 441935 | CONNECT HOSE ASS               | 1        |                |          |
| 215      | 441935 | CONNECT HOSE ASS               | 1        |                | 8801516  |
| 215-a    | 252084 | CLAMP D80,0                    | 1        |                | 8063262  |
| 215-b    | 252050 | CLAMP D42,5                    | 1        |                | 8056471  |
| 215-c    | 173088 | CLAMP D38 FM                   | 1        |                | 8084609  |
| 219      | 503182 | HYDROSTAT CAP WM-70            | 1        |                |          |
| 219-c    | 173088 | CLAMP D38 FM                   | 1        |                | 8084609  |
| 220      | 503237 | HOSE 4,3X7,3 L527 WA-70 UL4    | 1        | After 10.2006  | 8080831  |
| 220      | 503249 | HOSE 4,3X7,3 L610 WM-70 UL4    | 1        | Before 10.2006 | 8082882  |
| 221      | 441828 | DRAIN PUMP COMPL. SYNCR. 60HZ  | 1        |                |          |
| 221-a    | 272951 | SEAL PUMP INSERT HANNING SYNC  | 1        |                | 8801186  |
| 221-b    | 251043 | FILTER                         | 1        |                | 8801185  |
| 222      | 252146 | RUBBER BUFFER,DRAIN PUMP       | 2        |                | 8061649  |
| 223      | 247550 | RUBBER RING DRAINPUMP          | 1        |                | 8061796  |
| 224      | 503183 | HOSE D12/D8 L180 WM-70         | 1        |                | 8061725  |
| 224-a    | 252005 | BELT CLAMP D14,8               | 1        |                | 8052731  |
| 226      | 476225 | DISCHARGE HOSE WM-70           | 1        |                | 8061998  |
| 226-a    | 550741 | BELT CLAMP D30,8               | 1        |                | 8056491  |
| 230      | 248528 | HOLDER THERMISTOR WM20         | 1        |                | 8061738  |
| 231      | 440248 | TEMPERATURE SENSOR ASSY        | 1        |                |          |
| 232      | 252089 | CABLE HOLDER SMALL             | 2        |                | 8061976  |
| 240      | 251260 | HEATER 2000W 230V FUSE UL      | 1        |                | 8061703  |

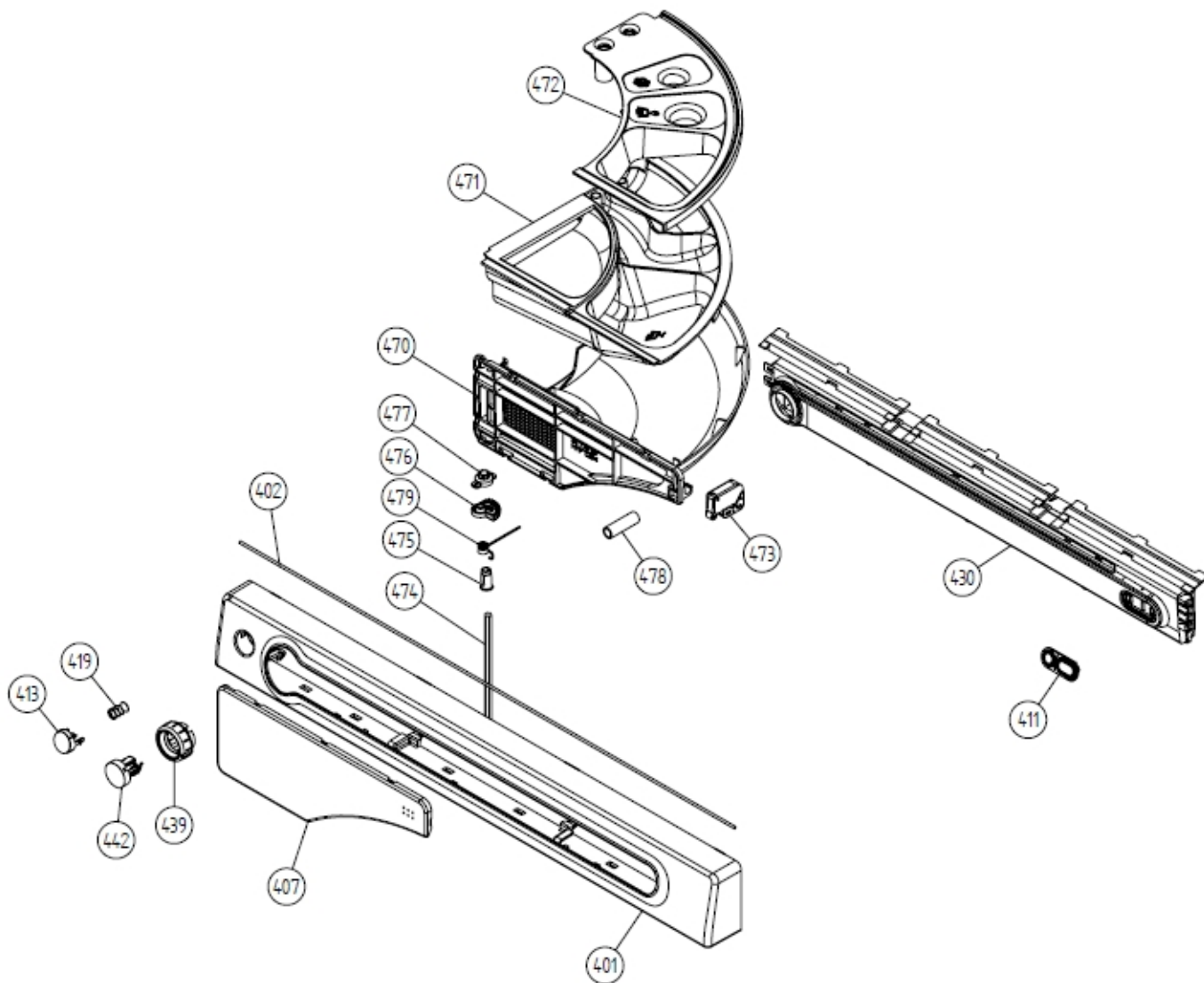
753890



| Position | Ident  | Spare part description                | Quantity | Validity       | Extra ID   |
|----------|--------|---------------------------------------|----------|----------------|------------|
| 301      | 435521 | DOOR LA012 WM-60                      | 1        | After 08.2008  | 8081875-85 |
| 301      | 266171 | FRONT DOOR COMPL.                     | 1        | Before 08.2008 | 8078977-85 |
| 302      | 436017 | EXTERIOR DOOR FRAME WM-60 LA012 UL4   | 1        |                | 8076548-85 |
| 303      | 436016 | INT. DOOR FRAME WM-60.2 NCS2502-B UL4 | 1        |                |            |
| 304      | 236769 | FRONT GLASS D306X42MM WM2             | 1        |                | 8061685    |
| 305      | 427251 | DOOR STUCKER WM-70 2502-B             | 1        |                | 8078973    |
| 306      | 415427 | DOOR SEAL WM-80.C UL4                 | 1        | After 08.2008  | 8081128    |
| 306      | 246970 | DOOR SEAL                             | 1        | Before 08.2008 | 8064025    |
| 307      | 441918 | KIT SECURING PLATE FRONT GLAS         | 1        |                |            |
| 311      | 435506 | TUB COVER WM-60 LA070                 | 1        |                | 8076560-0  |
| 313      | 266810 | HINGE                                 | 1        |                | 8079471    |
| 313-a    | 267356 | SCREW MFT 8.8 M5X10 FZB               | 4        |                | 8079877    |
| 313-b    | 247984 | SCREW MRT-TT 4X10 FZB T20             | 2        |                | 8901097    |

| Position | Ident  | Spare part description        | Quantity | Validity       | Extra ID   |
|----------|--------|-------------------------------|----------|----------------|------------|
| 314      | 415420 | GASKET WM-80 S 2502-B         | 1        |                | 8076561-49 |
| 315      | 266151 | COVER PLATE INNER             | 1        |                | 8078970    |
| 316      | 262556 | BALANCE WEIGHT 5,1 KG         | 2        |                | 8076563    |
| 316-a    | 248202 | SCREW M6SF-TT 8X25 FZB        | 4        |                | 8901135    |
| 318      | 200621 | SCREW PTK 40X14 WN1452 FZB T2 | 2        |                | 8902087    |
| 318      | 267315 | DOOR LOCK                     | 1        |                | 8079873    |
| 319      | 421523 | DOOR OPENER WMD-70            | 1        |                | 8076566    |
| 320      | 414464 | DOOR LOCK COVER WM70 UL4      | 1        |                |            |
| 321      | 247869 | FRONT PANEL TUB/2 WM20        | 1        | Before 08.2008 | 8065043    |
| 321      | 247869 | FRONT PANEL TUB/2 WM20        | 1        | After 08.2008  | 8065043    |
| 322      | 247435 | SEALING STRIP FRONT PANEL(TUB | 1        |                | 8061889    |
| 323      | 440074 | TUB CLAMP WM-20               | 1        |                | 8061669    |
| 325      | 233843 | TROMLE KOMPLET                | 1        |                | 8801277    |
| 326      | 247867 | DRUM PADDLE                   | 3        |                | 8061604    |
| 327      | 251906 | BELT                          | 1        |                | 8061682    |
| 328      | 247168 | O-RING 26,2X3 NBR70           | 1        |                | 8058497    |
| 329      | 441829 | KIT SEALING CASSETTE          | 1        |                |            |
| 330      | 247805 | BALL BEARING 6206 2RS MTSRL   | 2        |                | 8056314    |
| 331      | 441832 | CONTAINER ASSY WM20 CAST IRON | 1        |                |            |
| 332      | 247962 | SCALE WASHER 37X30,5X0,5      | 1        |                | 8056810    |
| 333      | 448289 | BELT PULLEY WM-70 F KPL       | 1        |                |            |
| 334      | 247945 | WASHER 42X10X5                | 1        |                | 8057209    |
| 335      | 247972 | SCREW BUFO 8,8 10X25 GALV     | 1        |                | 8901052    |
| 338      | 266155 | COVER LOCK HOOK               | 1        |                | 8078975-85 |
| 339      | 266599 | HINGE COVER                   | 1        |                | 8079283-0  |
| 342      | 272292 | GUIDE-2 GLASS DOOR            | 1        |                | 8089887    |
| 342      | 272292 | GUIDE-2 GLASS DOOR            | 1        |                | 8089887    |

754892

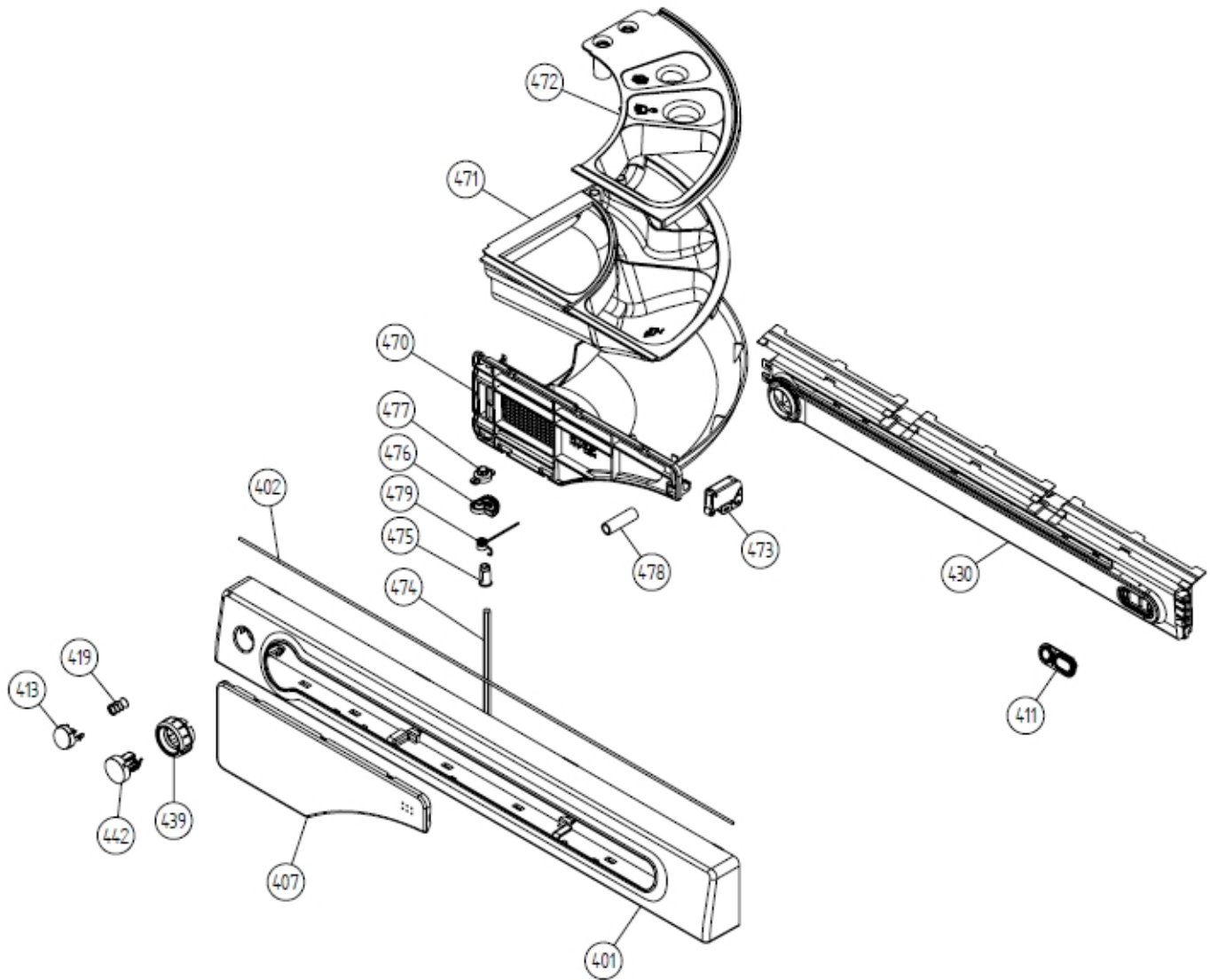


| Position | Ident  | Spare part description             | Quantity | Validity | Extra ID  |
|----------|--------|------------------------------------|----------|----------|-----------|
| 401      | 469614 | FRONT PANEL W6903 ASKO CE SIGN     | 1        |          |           |
| 402      | 266986 | GASKET D3,1X570                    | 1        |          | 8079749   |
| 407      | 503212 | SOAP DISPENSER HANDLE COVER WM     | 1        |          | 8076072-0 |
| 411      | 414430 | KEY START/STOP WM-70.3 8401 C SIGN | 1        |          |           |
| 413      | 265734 | SWITCH                             | 1        |          | 8078451-0 |
| 419      | 267359 | SPRING WMD-70                      | 1        |          | 8079897   |
| 430      | 441921 | CONTROL BOARD WM60.3               | 1        |          | 8801325   |
| 439      | 440551 | INTERIOR KNOB CPL                  | 1        |          |           |
| 442      | 440402 | KEY CPL                            | 1        |          |           |
| 468      | 235355 | CHAIN WM UL4                       | 1        |          | 8076209   |



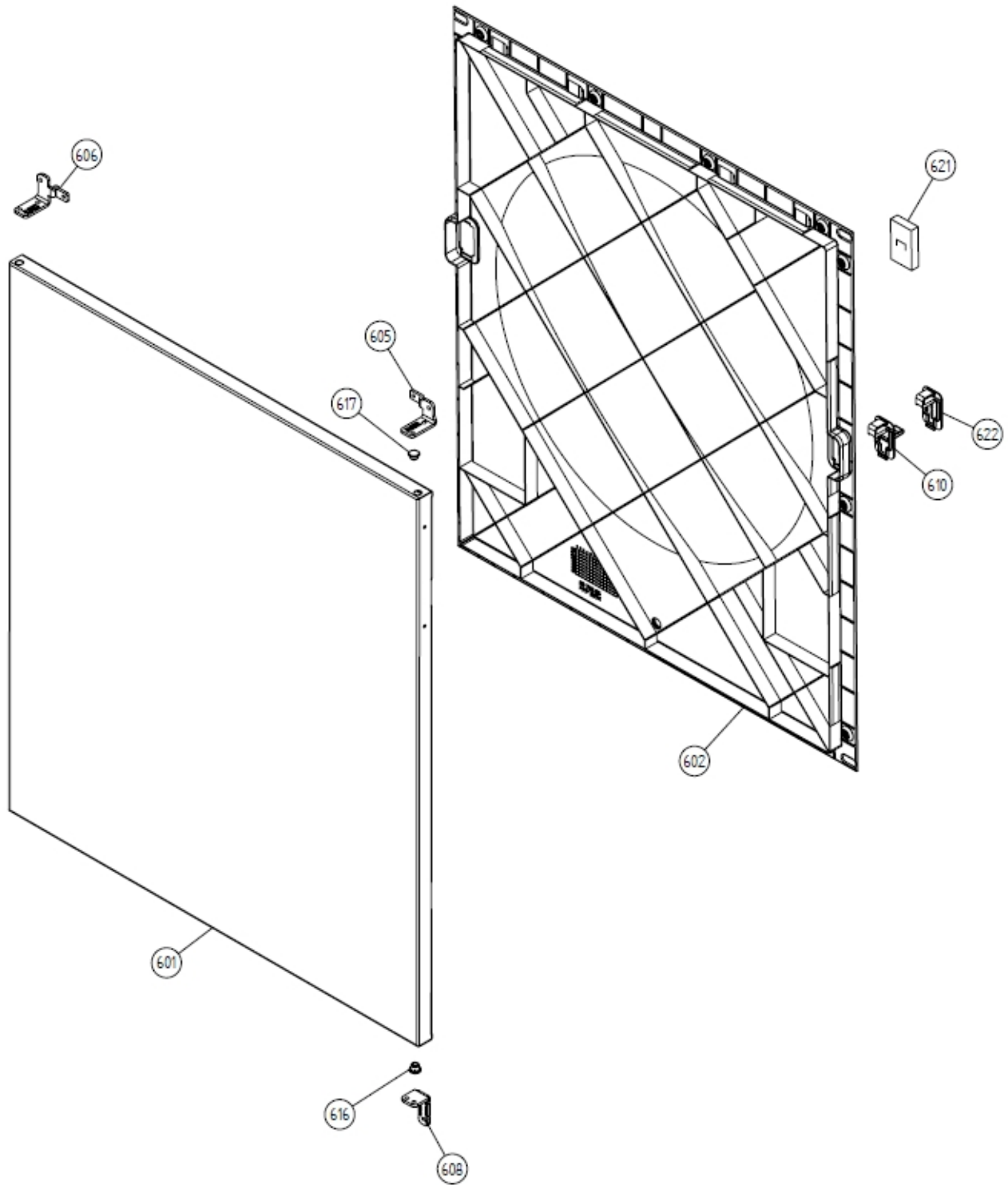
| Position | Ident  | Spare part description        | Quantity | Validity | Extra ID |
|----------|--------|-------------------------------|----------|----------|----------|
| 470      | 264250 | GUIDE CASING                  | 1        |          | 8077620  |
| 471      | 264249 | DETERGENT COMPARTMENT         | 1        |          | 8077619  |
| 472      | 103332 | SIPHON DETERGENT COMPARTMENT  | 1        |          | 8077142  |
| 473      | 266150 | LOCK                          | 1        |          | 8078925  |
| 474      | 264254 | DOOR LATCH                    | 1        |          | 8077621  |
| 475      | 262099 | SLEEVE                        | 3        |          | 8076159  |
| 476      | 262111 | E-RING                        | 1        |          | 8076189  |
| 477      | 266125 | DAMPER                        | 1        |          | 8078924  |
| 478      | 268148 | DETERGENT COMPARTMENT SPACER  | 1        |          | 8080636  |
| 478-a    | 273954 | SCREW PTK 40X40 WN1452 FZB T2 | 1        |          | 8901980  |
| 479      | 264255 | SPRING                        | 1        |          | 8077622  |
| 490      | 000000 |                               | 1        |          | 8081166  |
| 490      | 000000 |                               | 1        |          | 8081168  |
| 490      | 000000 |                               | 1        |          | 8081167  |

**755895**



| Position | Ident  | Spare part description         | Quantity | Validity       | Extra ID |
|----------|--------|--------------------------------|----------|----------------|----------|
| 501      | 565041 | FRONT PANEL HOLDER WMD-70 F    | 1        |                | 8076029  |
| 501-a    | 408582 | SCREW RTR ST4,2X9,5 FZB T20    | 2        |                | 8902362  |
| 501-b    | 104720 | LOCK WASHER AZ 4,3 GALV        | 2        |                | 8901413  |
| 503      | 441777 | KIT DETERGENT COMPARTMENT WM60 | 1        | Before 02.2009 | 8801379  |
| 503      | 103665 | SOAP DISPENSER KIT WM-60       | 1        |                | 8076374  |
| 503      | 103665 | SOAP DISPENSER KIT WM-60       | 1        | After 02.2009  | 8081808  |
| 503-a    | 273953 | SCREW PTK 40X12 A2 WN1452 T20  | 1        |                | 8901970  |
| 503-b    | 247990 | SCREW PT KB40X10 WN1442 GALV   | 1        |                | 8902072  |
| 506      | 103661 | BELLOW HOSE INLET              | 1        | After 02.2009  | 8081670  |
| 506      | 229616 | BELLOW HOSE INLET UL4          | 1        | Before 02.2009 | 8064692  |

| Position | Ident  | Spare part description              | Quantity | Validity       | Extra ID |
|----------|--------|-------------------------------------|----------|----------------|----------|
| 506-a    | 251922 | CLAMP D56,0                         | 1        |                | 8052728  |
| 508      | 503184 | HOSE D15/D10X350 WM-70 UL4          | 2        |                | 8058502  |
| 510      | 246049 | VENTILATION HOSE WM20 UL4           | 1        |                | 8061736  |
| 510-a    | 252012 | CLAMP D21,0                         | 1        |                | 8052730  |
| 515      | 467756 | ELECTRO VALVE DOUBLE 220/240V INV   | 1        |                | 8083880  |
| 515-a    | 247984 | SCREW MRT-TT 4X10 FZB T20           | 2        |                | 8901097  |
| 520      | 200349 | POWER BUTTON                        | 1        |                | 8073782  |
| 526      | 266152 | UNIT FOR ELECTR. COMP.              | 1        |                | 8078971  |
| 527      | 235418 | EMC-FILTER WMD-70                   | 1        |                | 8076202  |
| 527-a    | 247934 | NUT M6M8 BH8 GALV                   | 1        |                | 8901155  |
| 527-b    | 247955 | LOCK WASHER AZ 8,4 GALV             | 1        |                | 8901419  |
| 529      | 503227 | WIRING HARNESS N AP LL WM-70 UL4    | 1        |                |          |
| 529      | 267597 | CABLE SET MOTOR CIM UL4             | 1        |                | 8080096  |
| 529      | 414456 | WIRING HARNESS IV WM-70 UL4         | 1        |                |          |
| 529      | 266967 | CABLE SET FL WM                     | 1        |                | 8079718  |
| 529      | 267607 | GROUND CABLE CIM WM UL4             | 1        |                | 8080099  |
| 529      | 503228 | WIRING HARNESS EL WM-70 UL4         | 1        |                | 8079717  |
| 529      | 266957 | CABLE SET P WM UL4                  | 1        |                | 8079711  |
| 529      | 413523 | WIRING HARNESS MC C CIM-I WM-70 UL4 | 1        |                |          |
| 529      | 267756 | CABLE SET MC P CIM-I WM UL4         | 1        |                | 8080187  |
| 531      | 475507 | LEVEL SWITCH ASSY                   | 1        |                |          |
| 532      | 503238 | HOSE 4,3X7,3 L72 WM-70 UL4          | 1        | After 10.2006  | 8080832  |
| 532      | 441401 | RUBBER HOSE 5X8X45                  | 1        | Before 10.2006 |          |
| 533      | 503236 | HOSE 4,3X7,3 L260 WM-70 UL4         | 1        |                | 8080617  |
| 534      | 414534 | TUBE Y WM-70                        | 1        |                |          |
| 535      | 247813 | GUARD, LEVELSWITCH HOSE WM20        | 2        |                | 8061997  |
| 537      | 441800 | CROSS BEAM W. BAL. SPRING           | 1        |                |          |
| 537-a    | 247998 | SCREW RTS ST 4,2X13 FZB T20         | 5        |                | 8900327  |
| 539      | 200283 | SLEEVING                            | 1        |                | 8006948  |
| 541      | 255948 | SUPPLY CORD SJT 3XAWG12 2000        | 1        |                | 8064210  |
| 544      | 257325 | FUSE HOLDER 15A BK US/CA ASSY       | 2        |                | 8065573  |
| 544-a    | 254565 | FUSE 15AT 6,3X32                    | 2        |                | 8058140  |
| 544-b    | 253851 | FUSE HOLDER INSERT STI              | 2        |                | 8055725  |
| 544-c    | 233295 | FUSE HOLDER BLACK 6,3A EU/AU        | 2        |                | 8054613  |
| 547      | 248532 | BALANCING SPRING WM20               | 2        |                | 8061923  |



| Position | Ident  | Spare part description    | Quantity | Validity | Extra ID  |
|----------|--------|---------------------------|----------|----------|-----------|
| 601      | 503205 | DOOR FRAME-EXTERIOR LA070 | 1        |          |           |
| 602      | 262562 | INNER DOOR WM-70          | 1        |          | 8076565-0 |

| Position | Ident  | Spare part description         | Quantity | Validity | Extra ID  |
|----------|--------|--------------------------------|----------|----------|-----------|
| 605      | 503218 | HINGE HOLDER UPPER RIGHT LA070 | 1        |          |           |
| 605-a    | 247998 | SCREW RTS ST 4,2X13 FZB T20    | 3        |          | 8900327   |
| 605-b    | 247984 | SCREW MRT-TT 4X10 FZB T20      | 1        |          | 8901097   |
| 605-c    | 255125 | HINGE PIN M5                   | 1        |          | 8061804   |
| 606      | 503223 | HINGE HOLDER UPPER LEFT LA070  | 1        |          | 8079489-0 |
| 606-a    | 247998 | SCREW RTS ST 4,2X13 FZB T20    | 3        |          | 8900327   |
| 606-b    | 247984 | SCREW MRT-TT 4X10 FZB T20      | 1        |          | 8901097   |
| 606-c    | 255125 | HINGE PIN M5                   | 1        |          | 8061804   |
| 608      | 503201 | HINGE HOLDER LA070             | 1        |          | 8076032-0 |
| 608-a    | 247984 | SCREW MRT-TT 4X10 FZB T20      | 2        |          | 8901097   |
| 608-b    | 255125 | HINGE PIN M5                   | 1        |          | 8061804   |
| 610      | 263827 | LOCK CATCH                     | 1        |          | 8077485-0 |
| 616      | 413812 | DOOR HINGE BUSH BK070          | 2        |          | 8061865-0 |
| 617      | 413813 | DOOR HINGE COVER PLUG BK070    | 1        |          |           |
| 621      | 268164 | DAMPER FOR PUSH PUSH           | 1        |          | 8080864   |
| 622      | 261981 | DOOR LOCK COVER BK070          | 1        |          | 8076079-0 |