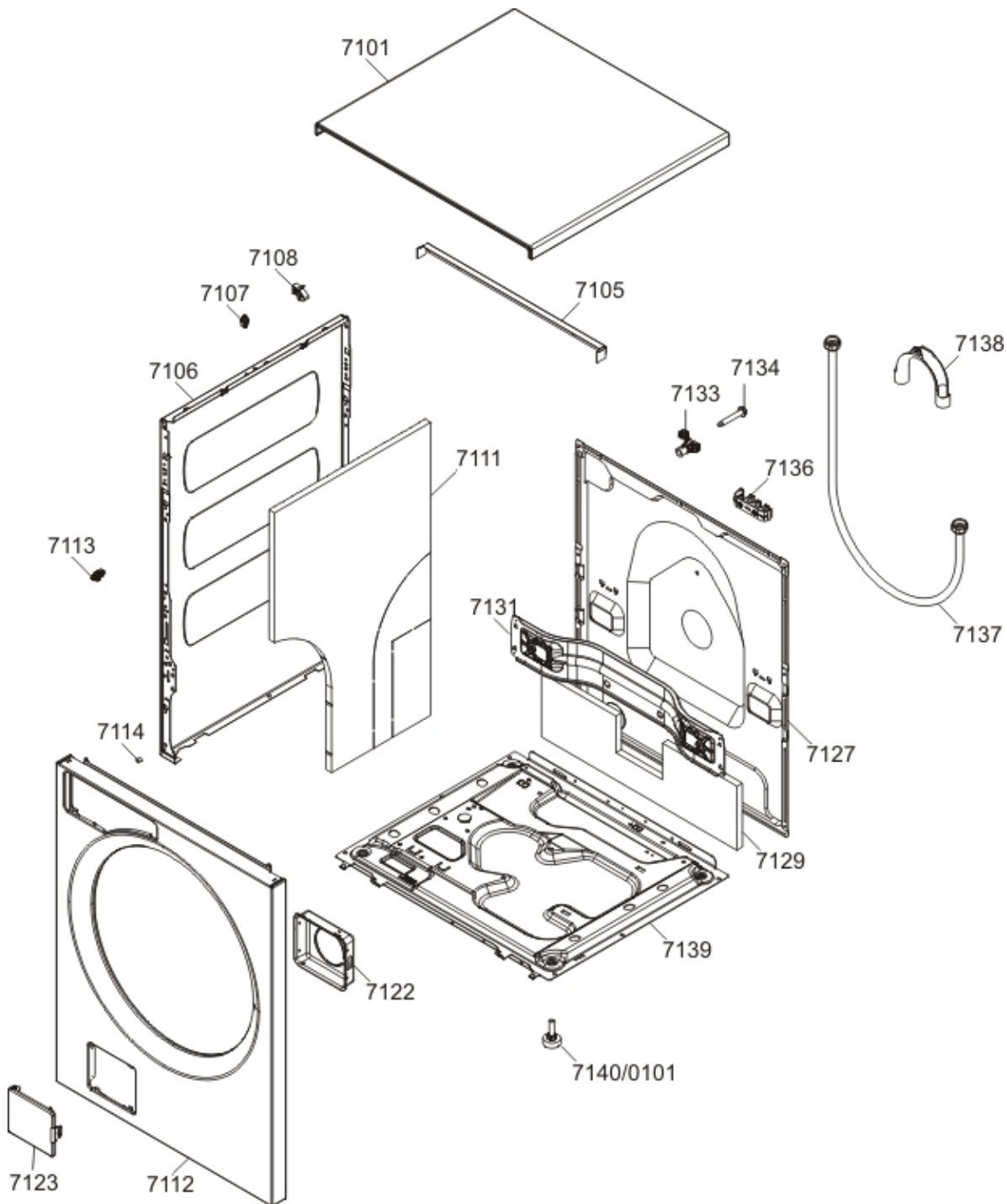


SPARE PARTS LIST

Type WM80.2
Model W8844XLW
Art. No. 461615

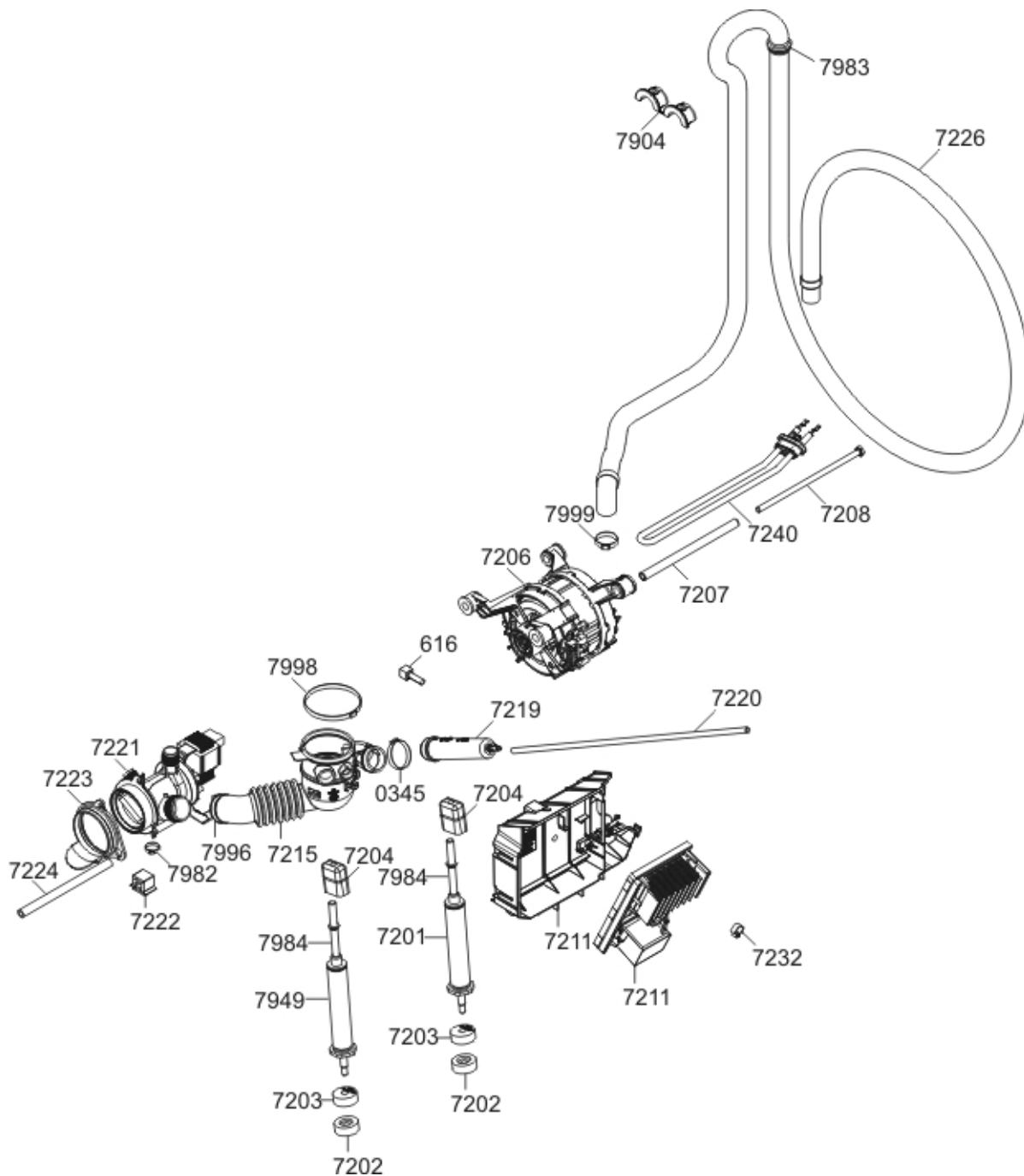
Brand name ASKO
Version 17.09.2015
Service index 02

021704



Position	Ident	Spare part description	Quantity	Validity	Extra ID
0101	499533	ADJUSTABLE FOOT PS-10 ASSY	4		
7101	408513	COVER/WORKTOP WMD-80 LA070	1		
7105	503181	COVERSUPPORT L553,5 WM-70	1		
7106	408558	CABINET SIDE PANEL WMD-80 LA070	2		
7107	413707	COVER HOLDER WMD-70	4		
7108	413814	WIRING HARNESS HOLDER WMD-70 UL4	6		
7111	252168	SOUND DEAD.SHEET OUTLET HOSE	2		
7112	415394	FRONT PANEL WM-80 KPL LA070	1		
7113	412257	FRONT PANEL LATCH WM-70 UL4	4		
7114	228893	PLASTIC GUIDE FRONT PLATE	2		
7122	416079	FILTER PROTECTION PICKLED WM-70	1		
7123	503179	FILTER COVER 0502-B WM-70	1		
7127	503178	REAR PANEL WM-70	1		
7131	503261	BLOCKADE HOLDER WM-70	1		
7133	551188	TRANSPORT INSERT WM-75/85	3		
7134	270698	SCREW M10X65 TT FZB	3		
7136	413811	HOSE HOLDER WMD-70	2		
7137	254162	SUPPLY HOSE L1500 D15X2,5 3/4-3/4 11,5US	1		
7138	498220	DISCHARGE HOSE BOW POM	1		
7139	370606	BOTTOM WM-80	1		

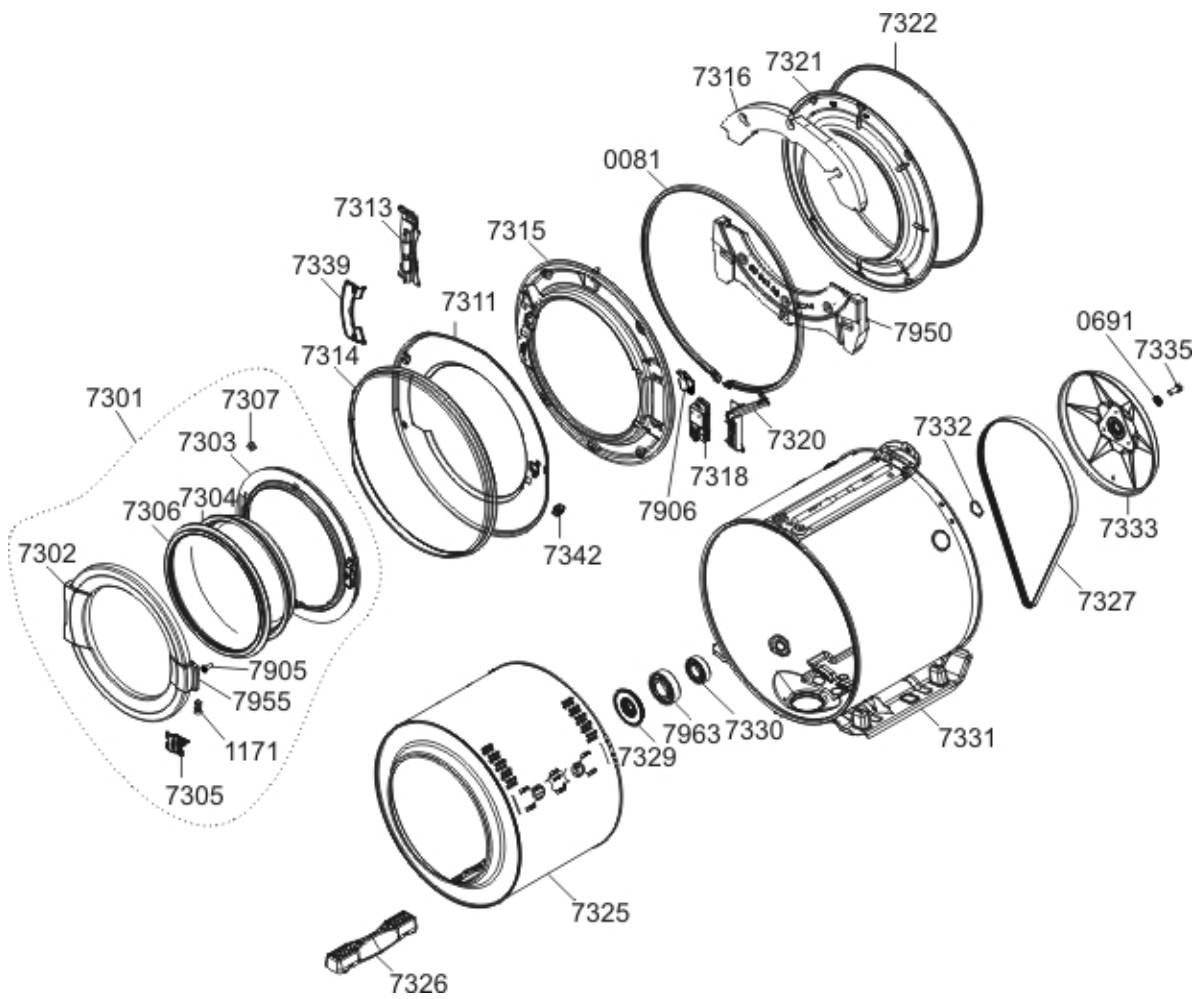
022717



Position	Ident	Spare part description	Quantity	Validity	Extra ID
0345	537874	CLAMP - WIRE D 38	1		
0616	581213	TEMPERATURE SENSOR .NTC EPCOS	1		
7201	415388	TUB SHOCK ABSORBER WM-80 KPL	2		
7202	270755	SPRING LEG DAMPER WM-70	4		
7203	270772	SPRING LEG DAMPER WM-70	4		
7204	270777	PISTON ROD DAMPER WM-70	1		
7206	271067	MOTOR	1		
7207	419002	BUSH WM-70	2		
7208	237689	SCREW 8.8 M8X205 FZB	2		
7211	271987	INVERTER	1		

Position	Ident	Spare part description	Quantity	Validity	Extra ID
7215	370602	HOSE TUB-FILTER WM-80 UL4	1		
7219	503182	HYDROSTAT CAP WM-70	1		
7220	479671	HOSE PS-03 L527	1		
7221	183436	FILTER HOUSING WITH PUMP 230V/60HZ	1		
7222	252146	RUBBER BUFFER,DRAIN PUMP	2		
7223	247550	RUBBER RING DRAINPUMP	1		
7224	503183	HOSE D12/D8 L180 WM-70	1		
7226	415067	DISCHARGE HOSE L2800 WM-80 UL4	1		
7232	252089	CABLE HOLDER SMALL	2		
7240	513024	HEATER 230V/2000W WM-75/85	1		
7949	415390	TUB SHOCK ABSORBER WM-80.C	2		
7982	252005	BELT CLAMP D14,8	1		
7983	413866	DISCHARGE HOSE HOLDER WM-70	2		
7984	422638	PISTON ROD L138 WM-80	1		
7996	252050	CLAMP D42,5	1		
7998	252084	CLAMP D80,0	1		
7999	438429	CLAMP D29,5	1		

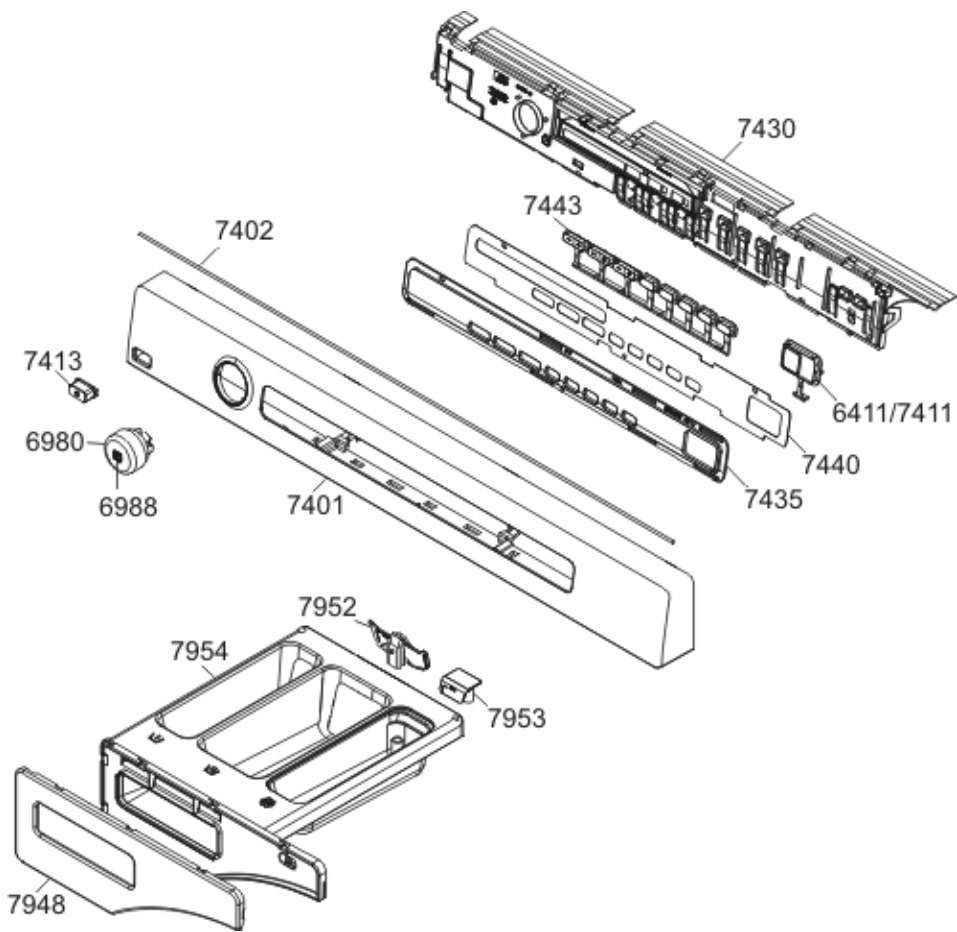
023714



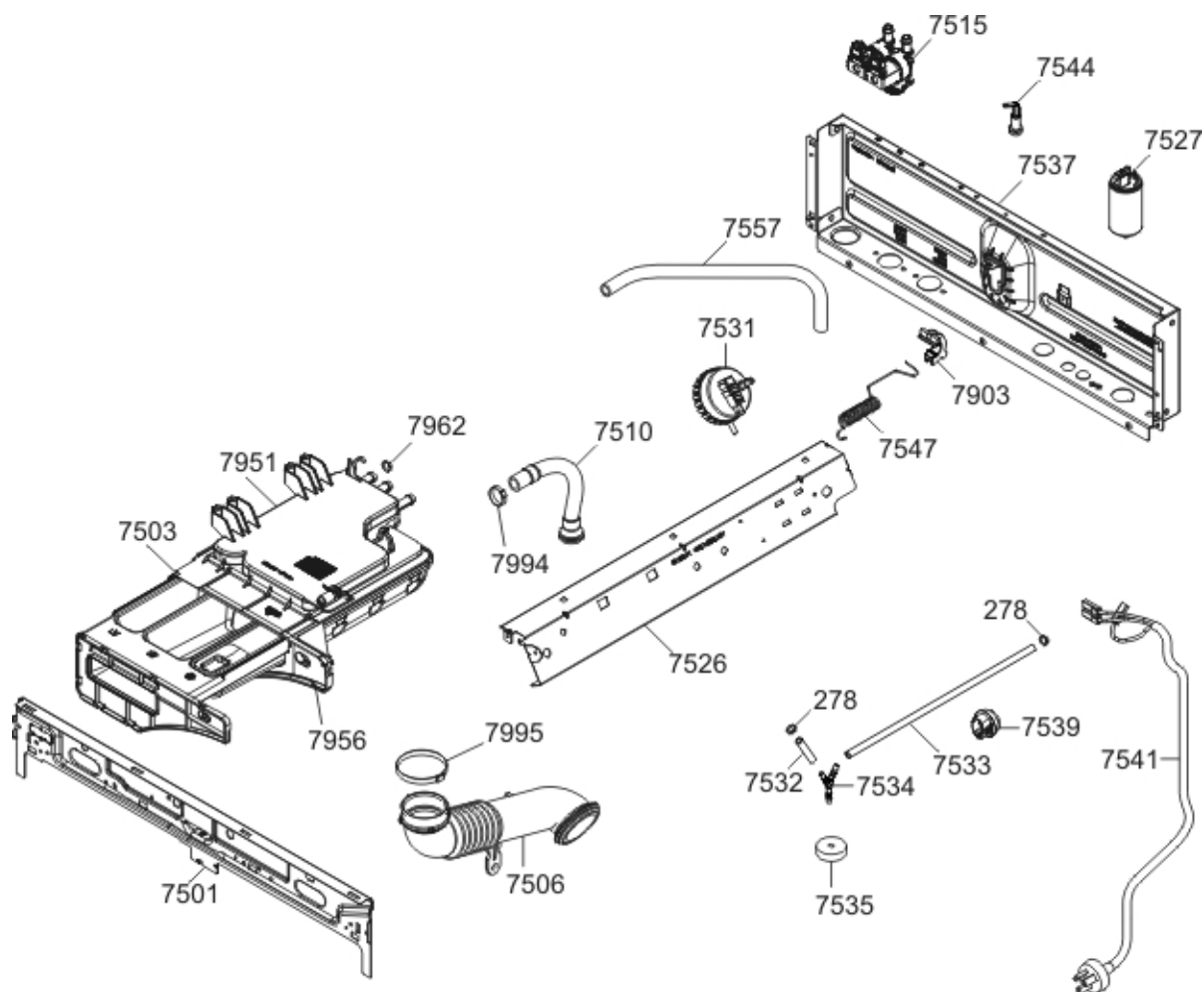
Position	Ident	Spare part description	Quantity	Validity	Extra ID
0081	587333	CLAMP PS-03	1		
0691	587646	WASHER 10,5X30X3	1		
1171	374605	DOOR HANDLE SPRING PS-12	1		
7301	415231	DOOR ASSY WM-80.2 LA012	1		
7302	371080	DOOR FRAME - EXTERIOR WM-80.2 LA012 UL4	1		
7303	371075	INTERIOR DOOR FRAME WM-80	1		
7304	236769	FRONT GLASS D306X42MM WM2	1		
7305	371239	DOOR STUCKER WM-80 S 2502-B	1		
7306	708850	DOOR SEAL WM-75/85	1		
7307	412469	GLASS HOLDER WM-70 KPL	5		
7311	425512	BLEND TUB LA070 WM-80.2 KPL	1		
7313	268842	HINGE WM60.C	1		
7314	415420	GASKET WM-80 S 2502-B	1		
7315	370669	OUTER WALL TUBS WM-80	1		
7316	262556	BALANCE WEIGHT 5,1 KG	1		
7318	370946	DOOR LOCK WM-80 UL4	1		
7320	422627	DOOR LOCK COVER WM-80 UL4	1		
7321	503244	INNER WALL TUBS WM-70	1		

Position	Ident	Spare part description	Quantity	Validity	Extra ID
7322	268551	SEALING STRIP FRONT GABLE WM7	1		
7325	415139	DRUM D480 WM-80 KPL	1		
7326	381458	DRUM RIB WM-80	3		
7327	415387	BELT EPJ L1225 WM-80	1		
7329	370637	SEALING RING WM-80	1		
7330	247805	BALL BEARING 6206 2RS MTSRL	1		
7331	513211	TUB WM-80 2KW ASSY	1		
7332	247962	SCALE WASHER 37X30,5X0,5	1		
7333	448289	BELT PULLEY WM-70 F KPL	1		
7335	247972	SCREW BUFO 8,8 10X25 GALV	1		
7339	503172	HINGE COVER WM-70.C BK070	1		
7342	413867	DOOR GLASS GUIDE WM-70	1		
7905	371037	EJECTOR DOOR BOLT	1		
7906	371041	EMERGENCY OPENING LEVER WM-80	1		
7950	415389	COUNTERWEIGHT WM-80	1		
7955	371259	DOOR HANDLE WM-80 LA012	1		
7963	247806	BALL BEARING 6207-2RS	1		

024721



Position	Ident	Spare part description	Quantity	Validity	Extra ID
6980	417335	CONTROL KNOB WMD-70.2 BK070 UL4	1		
6988	500568	LOGO ASKO A S NCS6502-B	1		
7401	436899	FRONT PANEL ASK W8844 US SIGN	1		
7402	266986	GASKET D3,1X570	1		
7411	414675	KEY START/STOP WMD-70.2	1		
7413	413713	KEY ON/OFF WMD-70.2	1		
7430	515481	CONTROL UNIT SERVIS WM-80.2 NTC	1		
7435	414562	DISPLAY PLATE WMD-70.2 UL4	1		
7440	268789	CONTROL PANEL INLAY	1		
7443	414563	KEY SUPPORT 8/1 0502-B WMD-70	1		
7948	490319	SOAP DISPENSER HANDLE WM-80 070	1		
7952	489767	LIQUID DETERGENT INSERT WM-80	1		
7953	489764	SOFTENER INSERT WM-80	1		
7954	489775	SOAP DISPENSER DRAWER WM-80 KPL	1		



Position	Ident	Spare part description	Quantity	Validity	Extra ID
0278	387524	CLAMP - WIRE D 10	2		
7501	565041	FRONT PANEL HOLDER WMD-70 F	1		
7503	489761	SOAP DISPENSER WM-80 KPL UL4	1		
7506	370600	INLET HOSE WM-80 UL4	1		
7510	415391	HOSE 290 WM-80	1		
7515	467756	ELECTRO VALVE DOUBLE 220/240V INV	1		
7526	371611	EL. COMPONENTS HOLDER WM-80	1		
7527	235418	EMC-FILTER WMD-70	1		
7531	272252	LEVEL SWITCH	1		
7532	479673	HOSE PS-03 L72	1		
7533	479669	HOSE PS-03 L310	1		
7534	414534	TUBE Y WM-70	1		
7537	503262	HOLDER-BEHIND L587 WM-70	1		
7539	413719	CABLE GROMMET Z13	1		

Position	Ident	Spare part description	Quantity	Validity	Extra ID
7541	255948	SUPPLY CORD SJT 3XAWG12 2000	1		
7544	257325	FUSE HOLDER 15A BK US/CA ASSY	2		
7547	413175	BALANSING SPRING WM-70	2		
7557	503184	HOSE D15/D10X350 WM-70 UL4	2		
7903	512719	BALANSING SPRING INSERT WM-70	2		
7951	489768	SOAP DISPENSER HOUSING WM-80 KPL	1		
7956	477204	SEALING FRAME WM-80 070	1		
7962	252010	BELT CLAMP D17,0	2		
7994	252012	CLAMP D21,0	1		
7995	251922	CLAMP D56,0	1		

027700

SET KABELSKI
WIRING HARNESS
KABELBAUM
CABLAGE ASSEMBLE

Position	Ident	Spare part description	Quantity	Validity	Extra ID
7468	413536	EARTHING CONDUCTOR BA-BO L850/470 RU/ZE	1		
7902	498898	WIRING HARNESS NTC WM-80	1		
7964	370628	WIRING HARNESS N AP LL WM UL4	1		
7965	370627	WIRING HARNESS MC P CIM WM-80 UL4	1		
7966	370626	WIRING HARNESS MC C CIM WM-80 UL4	1		
7967	370623	WIRING HARNESS EL WM-80 UL4	1		
7968	370632	WIRING HARNESS P WM-80 UL4	1		
7969	370625	WIRING HARNESS IV WM-80 UL4	1		
7986	414486	WIRING HARNESS EM A WM-70 UL4	1		