

INCA SMART - STAINLESS STEEL 2020 (SERIALS # STARTS A)

Look for the following identifiers:

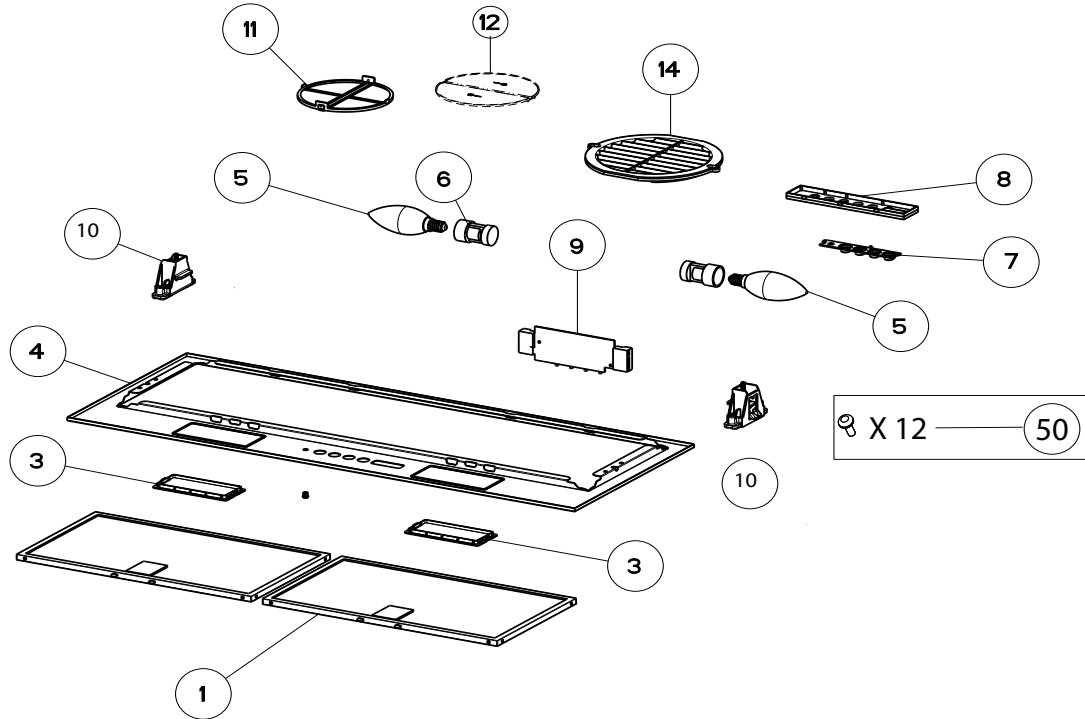


Controls



Rectangular Lamp Cover

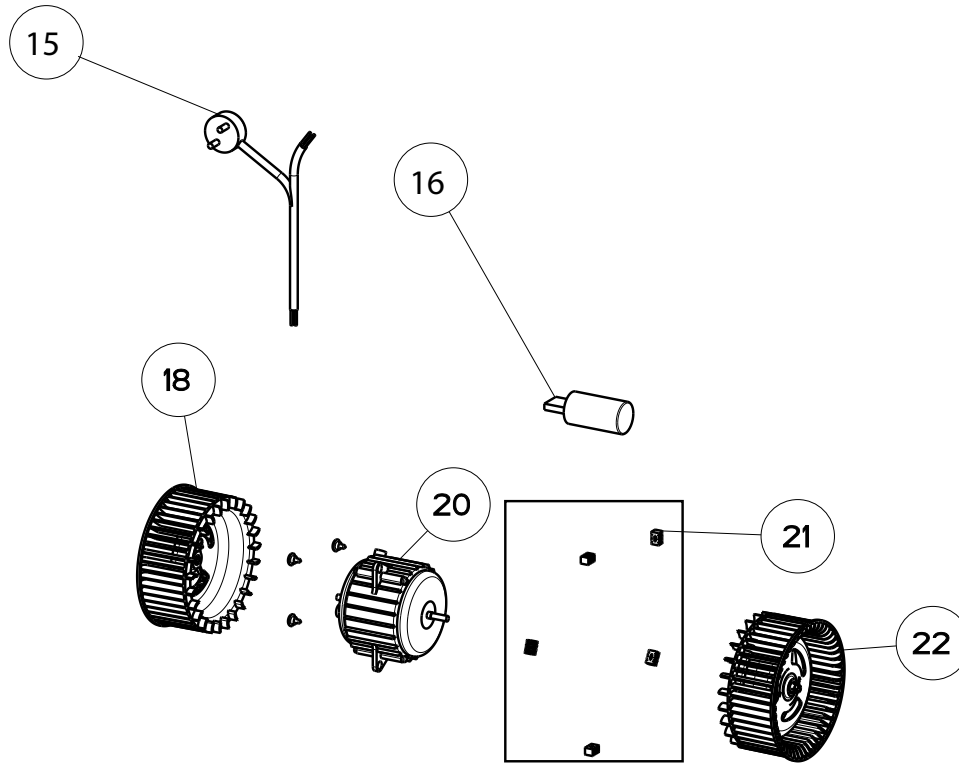
body components



	Model Number	INSP28SS240	INSP28SS400	INSP28SS600	
Key	Description	240 CFM	400CFM	600CFM	Qty Req.
1	Grease Filter	133.0599.442	133.0599.442	133.0599.442	2
3	Lamp Cover Rectangular	133.0599.410	133.0599.410	133.0599.410	2
4	Filter Support	133.0600.923	133.0600.923	133.0600.923	1
5	Lamp LED E12	133.0601.333	133.0601.333	133.0601.333	2
6	Lamp Holder	133.0065.761	133.0065.761	133.0065.761	2
7	Control Buttons	133.0184.465	133.0184.465	133.0184.465	1
8	Control Panel Cover	133.0603.464	133.0603.464	133.0603.464	1
9	Control Board	133.0184.467	133.0184.467	133.0184.467	1
10	Mounting Bracket	133.0064.079	133.0064.079	133.0064.079	1
11	Damper (240 CFM)	133.0056.177			1
12	Damper (400 & 600 CFM)		133.0522.831	133.0522.831	1
14	Ductless Vent Grate		133.0016.964	133.0016.964	1
50	Mounting Kit Screws Inca	133.0084.481	133.0084.481	133.0084.481	1

INCA SMART - STAINLESS STEEL 2020 (SERIALS # STARTS A)

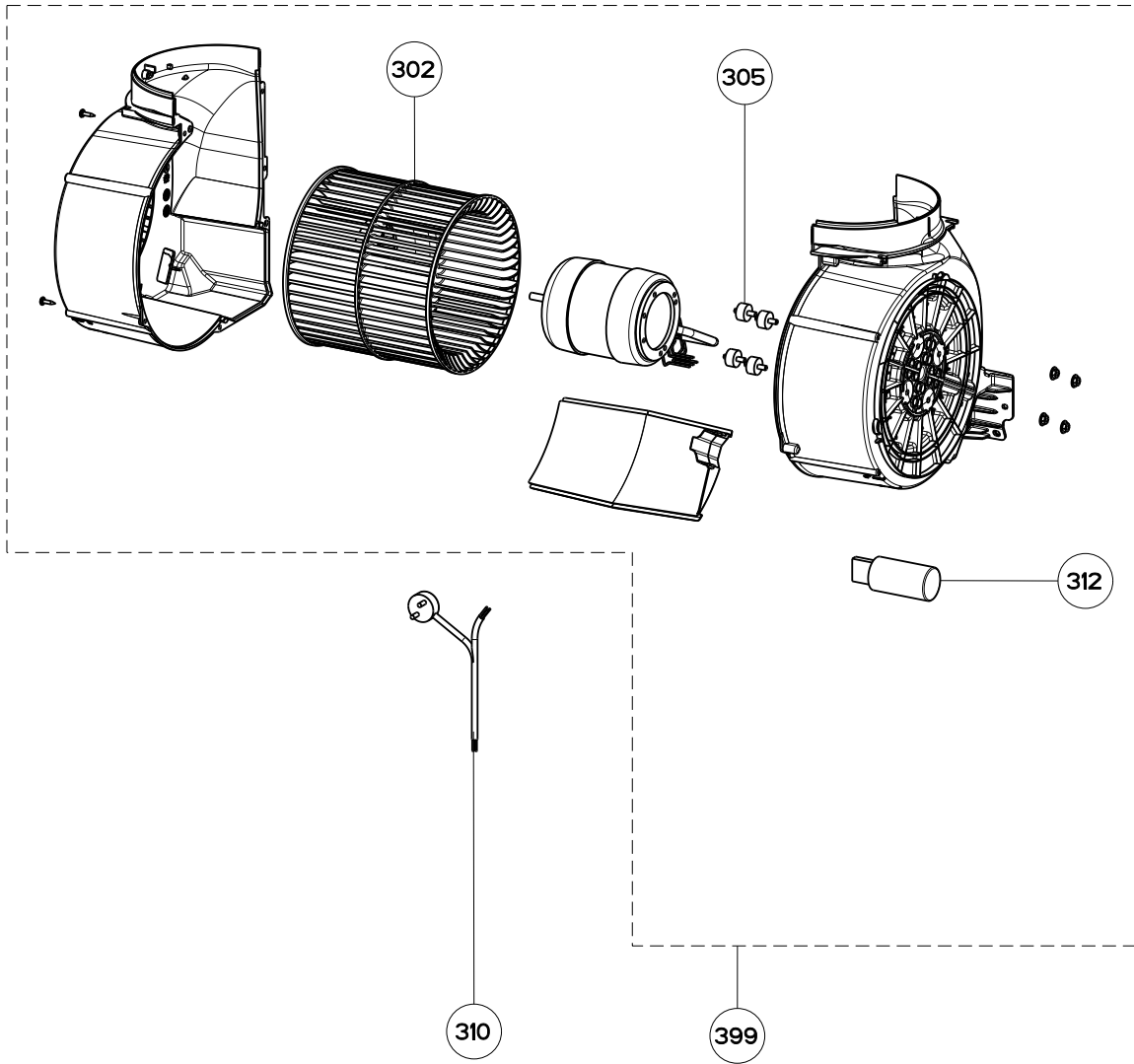
Motor 240 CFM



	Model Number	INSP28SS240	
Key	Description	240 CFM	Qty Req.
15	Power Cable	133.0492.050	1
16	Capacitor	133.0068.611	1
18	Left Impeller (SX)	133.0060.909	1
20	Motor	133.0184.469	1
21	Rubber Motor Mounts (5 in a kit)	133.0016.966	1
22	Right Impeller (DX)	133.0060.910	1

INCA SMART - STAINLESS STEEL 2020 (SERIALS # STARTS A)

Motor 400 and 600 CFM



	Model Number	INSP28SS400	INSP28SS600	
Key	Description	400 CFM	600 CFM	Qty Req.
302	Impeller	133.0502.222	133.0052.799	1
305	Rubber Motor Mounts (5 in Kit)	133.0051.604	133.0051.604	1
310	Power Cord	133.0381.468	133.0381.468	1
312	Capacitor	133.0060.648	133.0060.648	1
399	Motor Kit	133.0491.511	133.0554.637	1