

30" BOTTOM MOUNT FRENCH DOOR REFRIGERATOR

FM4FBM30SS

CONTROLS

Cooling system	Frost Free
Control system	Electronic

CAPACITIES

Total net volume, cu. ft. (liters)	17.5 (495)
Fresh food net volume, cu. ft. (liters)	12.4 (351)
Freezer net volume, cu. ft. (liters)	5.1 (144)

FRIDGE FEATURES

Control Display	Digital
Automatic Defrost	Yes
Interior Lighting	LED
Shelves	3 spill-proof Glass
Crispers	2
Door Bins	6
Compressor	Variable Speed with inverter
Fan Assisted Cooling	Yes

FREEZER FEATURES

Automatic Defrost	Yes
Freezer Drawers	1
Automatic ice maker	Yes

TECHNICAL INFORMATION

Supply voltage, V/Hz	110/60
Rated Current, Amps	2.2
Noise level, dB(A)	42

PERFORMANCE

Energy Star Qualified	Yes
Refrigerant	R600A

COLOR OPTIONS

Stainless VCM	Yes
---------------	-----

DIMENSIONS

Product H x W x D, in (mm) (Without handle)	70-1/16 x 29-7/8 x 29-3/16 (1780 x 759 x 742)
Package H x W x D, in (mm)	72-5/8 x 32-5/16 x 30-1/2 (1844 x 820 x 775)
Product weight, lbs (kg)	191.8lb (87kg)
Packed weight, lbs (kg)	213.8lb (97kg)



APPLIANCE HIGHLIGHTS

Contemporary European design
Fast cooling and freezing
Interior LED lighting
2 Transparent crispers



LED Lighting



Total No Frost



Noise Level 42dB(A)



Deep Freezing



Active Cooling

Installation Note:

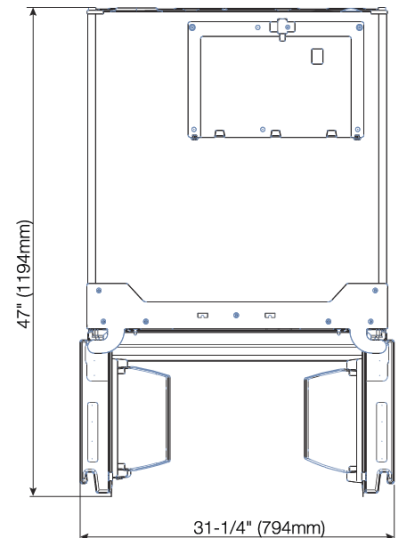
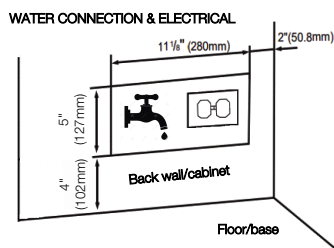
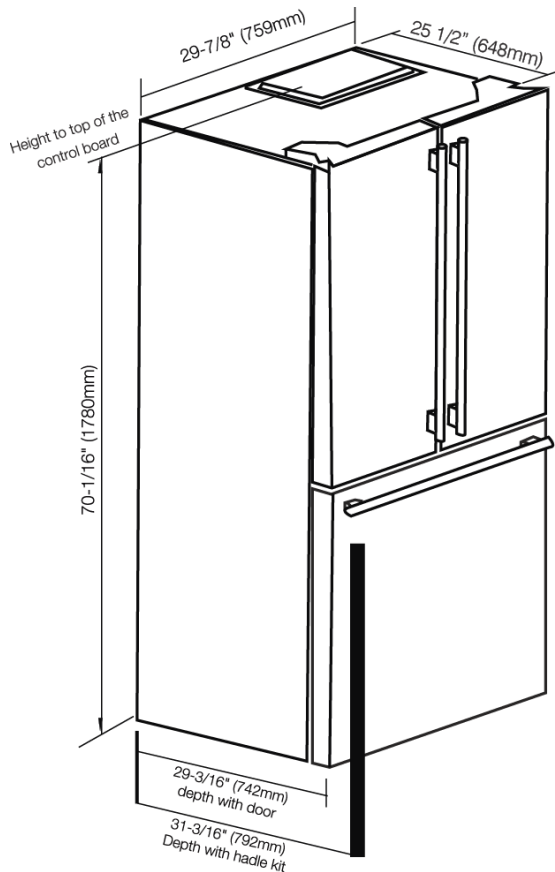
For the most up-to-date information of any of the products in this manual, please visit www.fulgor-milano.com, or call your local dealer prior to final installation of the product. Fulgor Milano reserves the right to make updates to the information and products or discontinue models without notice. Any information regarding applicable limited warranty may be found in accompanying product materials or call your local dealer for further details. Proper installation is responsibility of the installer. Fulgor Milano declines all responsibility for damages to products, property, or people deriving from incorrect installation or improper, erroneous or unsuitable use. All product dimensions are noted in inches and metric units.

30" BOTTOM MOUNT FRENCH DOOR REFRIGERATOR

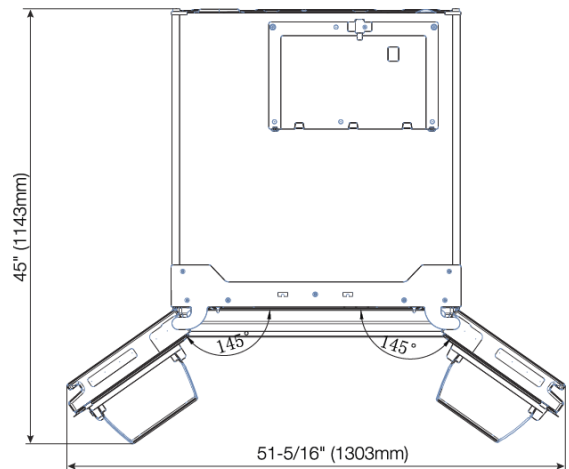
FM4FBM30SS

DIMENSIONS AND INSTALLATION

DIMENSIONS	
Height to top of the control board	70-1/16" (1780mm)
Unit depth without door	25 1/2" (648mm)
Unit depth with door	29 3/16" (742mm)
Depth with handle	31 3/16" (792mm)
Width	29 7/8" (759mm)
Width with door open 90°	31 1/4" (794mm)
Depth with door open 90°	47" (1194mm)
AIR GAP CLEARANCES	
Each Side	1/4" (6.4mm)
Top	1" (25mm)
Back	1 3/16" (30mm)



- Refrigerator doors need to be opened to 90° to pull the crisper drawers out
- 90° Stopping pin not supplied with the product



Recommended Niche Depth

- Fridge body needs to sit 1.5" proud of the gables to allow for the doors to open all the way.

Installation Note:
For the most up-to-date information of any of the products in this manual, please visit www.fulgor-milano.com, or call your local dealer prior to final installation of the product. Fulgor Milano reserves the right to make updates to the information and products or discontinue models without notice. Any information regarding applicable limited warranty may be found in accompanying product materials or call your local dealer for further details. Proper installation is responsibility of the installer. Fulgor Milano declines all responsibility for damages to products, property, or people deriving from incorrect installation or improper, erroneous or unsuitable use. All product dimensions are noted in inches and metric units.